



R&M Materials Handling, Inc.
SPACEMASTER Hoist & Crane Products
4501 Gateway Boulevard
Springfield, Ohio 45502
☎ : (937) 328-5100
FAX: (937) 325-5319

REFERENCE

SECTION
WSAL
PAGE
REFERENCE
DATE
OCTOBER 1980

ITEM NUMBER	PAGE
5576-5614	1-1
5615-5653	1-2

SECTION

PAGE

DATE



R&M Materials Handling, Inc.
SPACEMASTER Hoist & Crane Products
4501 Gateway Boulevard
Springfield, Ohio 45502
☎ : (937) 328-5100
FAX: (937) 325-5319



R&M Materials Handling, Inc.
SPACEMASTER Hoist & Crane Products
4501 Gateway Boulevard
Springfield, Ohio 45502
☎ : (937) 328-5100
FAX: (937) 325-5319

SECTION

WSAL
PAGE

1-1
DATE

REPAIR PARTS

OCTOBER 1980

ITEM NUMBER	DESCRIPTION	PART NUMBER
5575	Trolley Bracket	24-04111-001
5576	Hex Head Bolt	6-02-007-024-0
5577	Hex Nut	6-14-005-007-1
5578	Lock Washer	6-23-001-045-1
5579	Zerk Grease Fitting	22-02508-001
5580	Welch Plug	22-00504-001
5581	Ball Bearing	6-30-042-206-0
5582	Rope Drum	24-01735-005
5583	L.H. Rope Guard	23-02634-001
5584	Drum Shaft	23-02490-009
5585	Rope Socket	22-00383-001
5586	Hoist Cable	22-08565-019
5587	Pipe Plug	6-10-014-008-1
5588	R.H. Rope Guard	23-02635-001
5589	Spacer Washer	22-00748-001
5590	Lock Washer	6-23-001-041-1
5591	Hex Nut	6-14-005-003-1
5592	Hex Head Bolt	6-19-153-016-1
5593	Timken Bearing	6-30-158-024-0
5594	Oil Seal	22-02791-001
5595	Cover Cap Screw	6-19-165-020-1
5596	Worm Gear Key	6-11-026-034-0
5597	Worm Gear	23-02491-001
5598	Cover Shim	22-02789-002
5599	Cover Cap Screw	6-19-165-020-1
5600	Special Cover Cap Screw	22-02554-002
5601	Timken Bearing	6-30-158-024-0
5602	Welch Plug	22-00429-001
5603	Set Screw	6-06-074-008-3
5604	Gear Case Cover	24-01740-001
5605	Gear Case	25-01528-003
5606	Special Pipe Plug	22-02750-002
5607	Bearing & Cap Shims	22-02790-002
5608	Ball Bearing	6-30-071-207-0
5609	Welch Plug	22-00429-001
5610	Cap Screw	6-19-151-008-1
5611	Lock Washer	6-23-001-043-1
5612	Cap Screw	6-19-155-020-1
5613	Pipe Plug	6-10-004-008-1
5614	Grease Drip Pan	24-01806-002

SECTION

PAGE 5 SAL

DATE 1-2

OCTOBER 1980



R&M Materials Handling, Inc.
SPACEMASTER Hoist & Crane Products
4501 Gateway Boulevard
Springfield, Ohio 45502
☎ : (937) 328-5100
FAX: (937) 325-5319

ITEM NUMBER	DESCRIPTION	PART NUMBER
5615	Oil Seal Adapter	23-04779-002
5616	Oil Seal	22-02792-001
5617	Motor Coupling	22-04845
5618	Worm Shaft	23-02492-010
5619	Ball Bearing	6-30-071-207-0
5620	Motor	20-09399-002
5621	Pushbutton Chain Per Foot	22-04393-001
5622	Rubber Covered Cable Per Foot	22-07842-001
5623	Watertight Fitting	22-08727-001
5624	Watertight Fitting	22-08271-001
5625	Pushbutton	22-04397
5626	Pushbutton	24-00301-001
5627	Motor Brake	21-02821-006
5628	Contactora Panel	22-07861-001
5629	Limit Switch	23-04840-001
5630	Weight Lever	23-05945-001
5631	Cover	24-01834-001
5632	Cap Screw	6-19-157-028-1
5633	Washer	6-23-003-009-1
5634	Rope Thimble	22-00546-001
5635	Steel Hoist Frame	25-00691-025
5636	Limit Chain	22-02618-031
5637	Limit Weight	23-02305-005
5638	Rope Clip	22-00544-001
5639	Rope Thimble	22-00546-001
5640	Rope Sheave	23-05497-001
5641	Ball Bearing	6-30-050-203-1
5642	Sheave Pin	22-06967-001
5643	Hex Jam Hook Nut	6-14-007-068-0
5644	Clevis	22-02329-004
5645	Cotter Pin	6-16-005-023-0
5646	Hook Pin	22-07428-001
5647	Laundry Hook	23-02467-015
5648	Thrust Bearing	22-07602-001
5649	Sheave Frame	24-04178-001
5650	Hex Jam Nut	6-14-008-029-0
5651	Snap Ring	22-02244-013
5652	Bottom Block Assembly Complete	24-04182-008
5653	Swivel Stud	22-03123-001

MAINTENANCE INSTRUCTIONS FOR ELECTRIC HOISTS

TYPE WSAL-54 and TYPE WSAL-60

Four hoist will give you service in proportion to the work it does, the reasonable care and inspection it gets, and the avoidance of abusive operating conditions.

1. Lubrication

For these hoists use Sunoco TRANSEP SAE90 grease or equivalent in the worm case.

- (a) Motors when ball bearing equipped need to be lubricated with 3-58 New York & New Jersey grease once in six months. Too frequent forces grease into the windings, destroying the insulation and causing burn outs.
- (b) Gearings and Bearings.
The enclosure of the hoist operating mechanism in lubricant tight cases is quite general and check of these cases should be made weekly at plugs provided for the purpose. Excess of lubricant causes leaks and dripping, which once started, take time to eliminate. Undue heat, chattering, or screeching indicate, usually, a lack of lubricant which should be corrected at once. See instruction sheets attached to the hoist upon shipment and also brass name plate fastened to hoist, for the kind of grease or oil to use. It is selected as best for your hoist.

- (c) Sheaves, Trolley Wheels, Magnetic Brake, Controller, etc.
Become familiar with every bearing and moving part on the hoist and see that sufficient lubricant is applied and in the correct manner. Essential bearings are provided with Zerk or other methods of lubrication when outside the gear case. Dry sheaves, trolley wheels, and the like will cause renewal of parts with consequent expense.

A drop of oil on controller shafts, the link motions of magnetic brakes, limit switches, etc. prevents annoying sticking and prolongs the life of these parts. **KEEP OIL AWAY FROM ELECTRIC COILS, WINDINGS, INSULATION, and WIRE.**

2. Hoisting Cable

The Manufacturer puts on the hoist the best cable for the particular hoist in question. The life of the cable depends upon use, abuse, and maintenance. No set length of service can be given except in general terms for any installation. A busy hoist working long hours, constantly loaded to capacity, may require cable renewals four times a year.

Replacement cables should be bought direct from the hoist manufacturer.

The life of cable is affected by:

- (a) Overloading.
- (b) Abrasion and kinks.
- (c) Frozen sheaves with cable being dragged over them.
- (d) Dragging of loads.
- (e) Rust, acid or excessive moisture.
- (f) Continuity of Service.
- (g) Lack of Lubrication.
- (h) Sheaves grooved by wear or broken.

A spare cable should always be on hand and slushed with 600W or similar lubricant.

3. Controllers

Push button operated hoists require that the magnetic contactors be inspected weekly so that worn contacts may be noted and ordered before failure occurs. The same is true of the push button which is knocked about considerably and is sometimes damaged.

4. Limit Switches

A limit switch ordinarily is an emergency safety stop. Many operators, with necessity, send the hook up in contact with the limit at every lift which should be prohibited. Daily inspection of the limit switch should be made as its failure will cause damage. Inspection of all parts will show worn parts in time for replacement before failure occurs. The importance of LIMIT SWITCH and CABLE inspection cannot be over-stressed.

The track on which the hoist operates should be well grounded to a water pipe as a safety precaution. Never permit anyone to work on a hoist until the current for the whole installation has been shut off.

When a container sticks within the extractor very severe overloads are put upon the hoist that should be strictly prohibited. Operators should be instructed to free the container before attempting to lift it.

This information covers only essentials and adherence to them will save both man-



ON THE BRASS NAME PLATE WILL BE FOUND THE SERIAL NUMBER OF YOUR HOIST, I.e. SERIAL NUMBER H??? TYPE???. WITHOUT THIS SERIAL NUMBER WE CANNOT BE SURE OF SENDING YOU CORRECT PARTS SO ALWAYS MENTION SERIAL NUMBER FOR PROMPT SERVICE. FOR A MOTOR PART GIVE SERIAL NUMBER OF MOTOR AS GIVEN ON MOTOR NAME PLATE, AS WELL AS HOIST SERIAL NUMBER.

CONTROLLER REPAIR PARTS: SEE SHEET ATTACHED TO HOIST WHEN SHIPPED.

ROBBINS & MYERS, Inc.
Hoist & Crane Division
Springfield, Ohio, U.S.A.

Branch Offices

Chicago 35, Ill. 1829 No. Harlem Ave.	Cleveland 14, Ohio 221 Leader Bldg.	New York 7, N.Y. 57 Murray St.	Upper Darby, Pa. (Philadelphia) 8418 W. Chester Pike
--	--	-----------------------------------	--

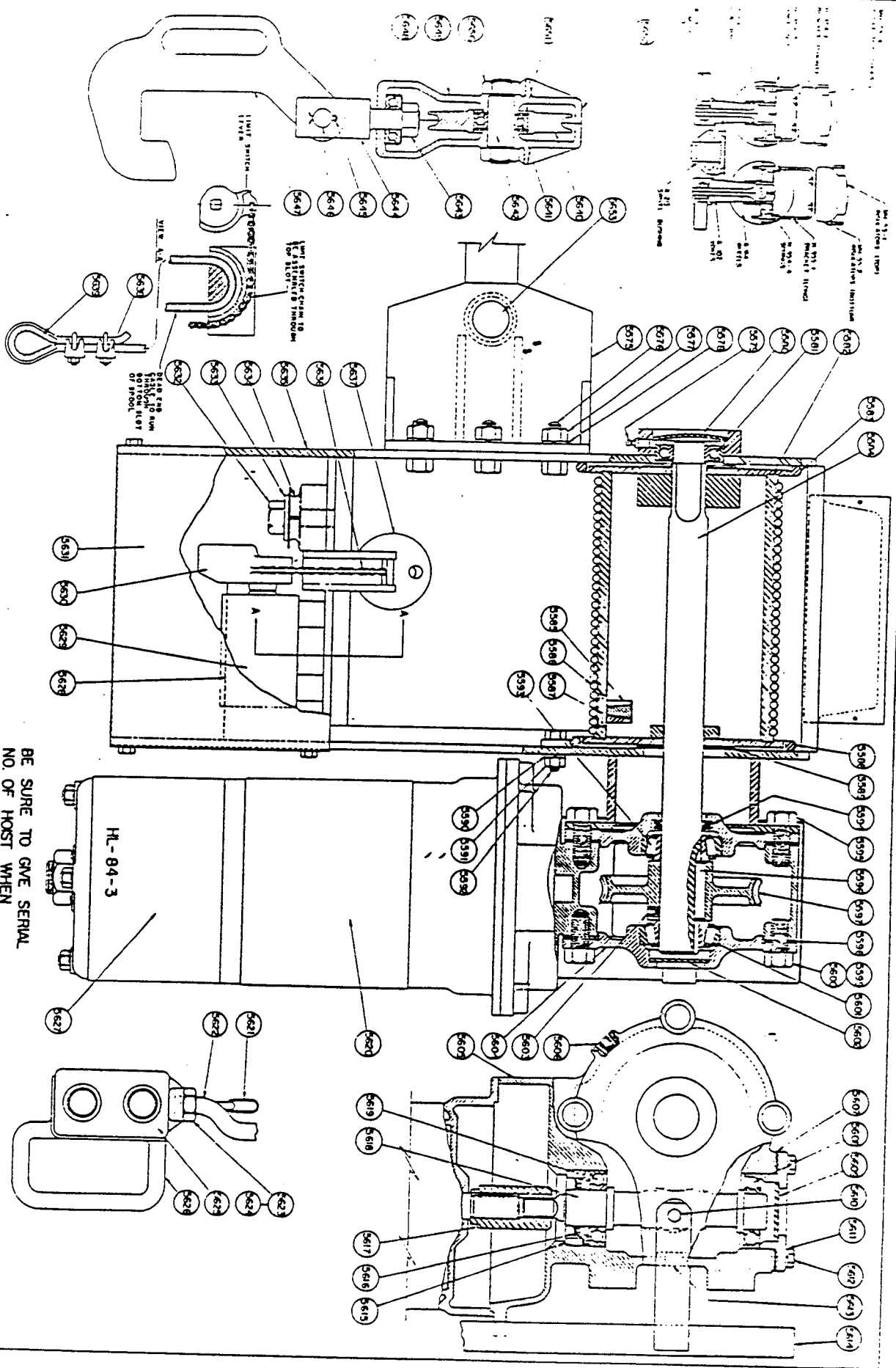
NOTE: REMEMBER THAT FACTORIES GENERALLY ARE NOW CLOSED SATURDAY. ORDERS RECEIVED FOR STOCK PARTS LATE FRIDAY CANNOT BE SHIPPED UNTIL MONDAY FOLLOWING. IN AN EMERGENCY CONTACT FACTORY, HOIST DIVISION, PHONE SPRINGFIELD, OHIO, No. 3-6461 AND EVERY EFFORT WILL BE MADE TO SERVE YOU.

REPAIR PARTS LIST ***** TYPE WSAL-54 AL Hoist & WSAL-60 Hoist

<u>Item No.</u>	<u>Name of Part</u>	<u>Item No.</u>	<u>Name of Part</u>	<u>Item No.</u>	<u>Name of Part</u>
5575	Trolley Bracket	5605	Gear Case	5635	Steel Hoist Frame
5576	Hex Head Bolt	5606	Spec. Pipe Plug	5636	Limit Chain
5577	Hex Nut	5607	Bearing & Cap Shims	5637	Limit Weight
5578	Lock Washer	5608	Ball Bearings	5638	Rope Clip
5579	Zerk Grease Fitting	5609	Welch Plug	5639	Rope Thimble
5580	Welch Plug	5610	Cap Screw	5640	Rope Sheave
5581	Ball Bearing	5611	Lock Washer	5641	Ball Bearing
5582	Rope Drum	5612	Cap Screw	5642	Sheave Pin
5583	L. H. Rope Guard	5613	Pipe Plug	5643	Hex Jam Hook Nut
5584	Drum Shaft	5614	Grease Drip Pan	5644	Clevis
5585	Rope Socket	5615	Oil Seal Adapter	5645	Cotter Pin
5586	Hoist Cable	5616	Oil Seal	5646	Hook Pin
5587	Pipe Plug	5617	Motor Coupling	5647	Laundry Hook
5588	R. H. Rope Guard	5618	Worm Shaft	5648	Thrust Bearing
5589	Spacer Washer	5619	Ball Bearing	5649	Sheave Frame
5590	Lock Washer	5620	Motor	5650	Hex Jam Nut
5591	Hex Nut	5621	Push Button Chain	5651	Snap Ring
5592	Hex Head Bolt	5622	Rubber Covered Cable	5652	Complete Bottom Block Ass'y.
5593	Timken Bearing	5623	Water Tight Fitting	5653	Swivel Stud
5594	Oil Seal	5624	Water Tight Fitting	*MH-55-4	Collector Shoe +
5595	Cover Cap Screw	5625	Push Button	MH-55-1	Insulator (Top) +
5596	Worm Gear Key	5626	Push Button Grip	MH-55-2	Insulator (Bottom) +
5597	Worm Gear	5627	Motor Brake *	H-954-1	Bracket (Short) +
5598	Cover Shims	5628	Contact Panel **	H-954-3	Hinge Nuts +
5599	Cover Cap Screws	5629	Limit Switch ***	H-954-4	Springs +
5600	Special Cover Cap Screws	5630	Weight Lever	H-955-1	Bracket (Long) +
5601	Timken Bearing	5631	Cover	A-102	Yokes +
5602	Welch Plug	5632	Cap Screw	A-114	Load Bar +
5603	Set Screw	5633	Washer	A-141	Bumpers +
5604	Gear Case Cover	5634	Rope Thimble	A-164	Wheels +
				A-213	Swivel Bushing +

* For Motor Brake Parts See Separate Bull. R.P.B. 62.
** For Contactor Parts See Separate Bulletin.
*** For Limit Switch Parts See Bull. 5098.
+ These Parts Furnished By American Monorail Co.





BE SURE TO GIVE SERIAL
 NO. OF HOIST WHEN
 ORDERING REPAIR PARTS

General Electric
 Industrial Equipment Division
 Erie, Pa. 16540
 Form 100-100-100-100
 1960

