

**INSTRUCTIONS AND PARTS LIST**  
**CRANE BRIDGE KITS**  
**1/4 THRU 5 TON**  
**PUSH, HAND GEARED AND MOTOR DRIVEN**

**TO BUILD UNDERHUNG CRANE BRIDGES**

THE INFORMATION CONTAINED IN THIS MANUAL IS FOR INFORMATIONAL PURPOSES ONLY AND COLUMBUS MCKINNON CORPORATION DOES NOT WARRANT OR OTHERWISE GUARANTEE (IMPLIEDLY OR EXPRESSLY) ANYTHING OTHER THAN THE COMPONENTS THAT COLUMBUS MCKINNON CORPORATION MANUFACTURES AND ASSUMES NO LEGAL RESPONSIBILITY (INCLUDING, BUT NOT LIMITED TO CONSEQUENTIAL DAMAGES) FOR INFORMATION CONTAINED IN THIS MANUAL.

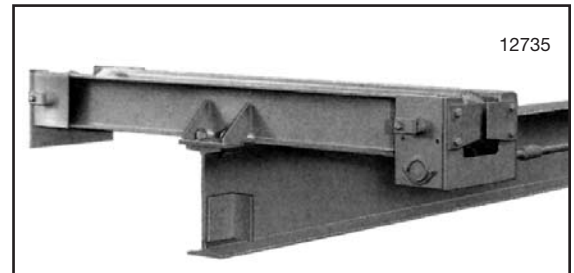


Figure 1.

**GENERAL**

These crane bridge kits contain all parts needed, except the bridge beam, cross shaft (when required), and the trolley stop angles to build underhung, single girder crane bridges in rated loads and spans (center-to-center distance between runway beams) charted below.

**SIZES OF BRIDGES THAT CAN BE BUILT WITH THESE KITS**

| (**) BEAM SIZES FOR VARIOUS SPANS |                        |           |                      |                      |                      |                       |                       |                     |          |
|-----------------------------------|------------------------|-----------|----------------------|----------------------|----------------------|-----------------------|-----------------------|---------------------|----------|
| Spans To                          | (*) RATED LOAD IN TONS |           |                      |                      |                      |                       |                       |                     | Spans To |
|                                   | 1/4                    | 1/2       | 1                    | 1-1/2                | 2                    | 3                     | 4                     | 5                   |          |
| <b>Push or Hand Geared Crane</b>  |                        |           |                      |                      |                      |                       |                       |                     |          |
| 10 ft.                            | S 6x12.5               | S 6x12.5  | S 6x12.5             | S 8x18.4             | S 10x25.4            | S 12x40.8             | S 12x40.8             | S 12x40.8           | 10 ft.   |
| 12 ft.                            | S 6x12.5               | S 6x12.5  | S 7x15.3             | S 10x25.4            | S 10x25.4            | S 12x40.8             | S 12x40.8             | S 18x54.7           | 12 ft.   |
| 14 ft.                            | S 6x12.5               | S 6x12.5  | S 7x15.3             | S 10x25.4            | S 12x31.8            | S 12x40.8             | S 12x40.8             | S 18x54.7           | 14 ft.   |
| 16 ft.                            | S 6x12.5               | S 7x15.3  | S 8x18.4             | S 10x25.4            | S 12x31.8            | S 12x40.8             | S 12x40.8             | S 18x54.7           | 16 ft.   |
| 18 ft.                            | S 7x15.3               | S 7x15.3  | S 10x25.4            | S 10x25.4            | S 12x31.8            | S 12x40.8             | S 15x42.9             | S 18x54.7           | 18 ft.   |
| 20 ft.                            | S 7x15.3               | S 8x18.4  | S 10x25.4            | S 12x31.8            | S 12x31.8            | S 12x40.8             | S 18x54.7             | S 18x54.7           | 20 ft.   |
| 22 ft.                            | S 8x18.4               | S 10x25.4 | S 10x25.4            | S 12x31.8            | S 12x40.8            | S 18x54.7             | S 18x54.7             | S 20x66             | 22 ft.   |
| 24 ft.                            | S 8x18.4               | S 10x25.4 | S 12x31.8            | S 12x40.8            | S 12x40.8            | S 18x54.7             | S 18x54.7             | S 20x66             | 24 ft.   |
| 26 ft.                            | S 10x25.4              | S 10x25.4 | S 12x31.8            | S 12x40.8            | S 15x42.9            | S 18x54.7             | S 20x66               | S 24x80             | 26 ft.   |
| 28 ft.                            | S 10x25.4              | S 10x25.4 | S 12x40.8            | S 12x40.8            | S 18x54.7            | S 20x66               | S 20x66               | S 24x80             | 28 ft.   |
| 30 ft.                            | S 10x25.4              | S 12x31.8 | S 12x40.8            | S 18x54.7            | S 18x54.7            | S 20x66               | S 18x54.7 w/C 9x13.4  | S 24x80             | 30 ft.   |
| 32 ft.                            | S 10x25.4              | S 12x31.8 | S 12x40.8            | S 18x54.7            | S 15x42.9 w/C 8x11.5 | S 18x54.7 w/C 9x13.4  | S 18x54.7 w/C 9x13.4  | S 20x66 w/C 9x13.4  | 32 ft.   |
| 34 ft.                            | S 12x31.8              | S 12x40.8 | S 15x42.9            | S 18x54.7            | S 15x42.9 w/C 8x11.5 | S 18x54.7 w/C 9x13.4  | S 18x54.7 w/C 9x13.4  | S 20x66 w/C 9x13.4  | 34 ft.   |
| 36 ft.                            | S 12x31.8              | S 12x40.8 | S 18x54.7            | S 15x42.9 w/C 8x11.5 | S 15x42.9 w/C 8x11.5 | S 18x54.7 w/C 9x13.4  | S 20x66 w/C 9x13.4    | S 20x66 w/C 9x13.4  | 36 ft.   |
| <b>Motor Driven Crane</b>         |                        |           |                      |                      |                      |                       |                       |                     |          |
| 10 ft.                            | S 6x12.5               | S 6x12.5  | S 6x12.5             | S 10x25.4            | S 10x25.4            | S 12x40.8             | S 12x40.8             | S 12x40.8           | 10 ft.   |
| 12 ft.                            | S 6x12.5               | S 6x12.5  | S 7x15.3             | S 10x25.4            | S 12x31.8            | S 12x40.8             | S 12x40.8             | S 18x54.7           | 12 ft.   |
| 14 ft.                            | S 6x12.5               | S 6x12.5  | S 7x15.3             | S 10x25.4            | S 12x31.8            | S 12x40.8             | S 12x40.8             | S 18x54.7           | 14 ft.   |
| 16 ft.                            | S 6x12.5               | S 7x15.3  | S 8x18.4             | S 10x25.4            | S 12x31.8            | S 12x40.8             | S 18x54.7             | S 18x54.7           | 16 ft.   |
| 18 ft.                            | S 7x15.3               | S 8x18.4  | S 10x25.4            | S 12x31.8            | S 12x31.8            | S 18x54.7             | S 18x54.7             | S 20x66             | 18 ft.   |
| 20 ft.                            | S 7x15.3               | S 8x18.4  | S 10x25.4            | S 12x31.8            | S 12x40.8            | S 18x54.7             | S 18x54.7             | S 20x66             | 20 ft.   |
| 22 ft.                            | S 8x18.4               | S 10x25.4 | S 12x31.8            | S 12x40.8            | S 12x40.8            | S 18x54.7             | S 20x66               | S 20x66             | 22 ft.   |
| 24 ft.                            | S 10x25.4              | S 10x25.4 | S 12x31.8            | S 12x40.8            | S 18x54.7            | S 20x66               | S 20x66               | S 24x80             | 24 ft.   |
| 26 ft.                            | S 10x25.4              | S 10x25.4 | S 12x40.8            | S 18x54.7            | S 18x54.7            | S 20x66               | S 18x54.7 w/C 9x13.4  | S 24x80             | 26 ft.   |
| 28 ft.                            | S 10x25.4              | S 12x31.8 | S 12x40.8            | S 18x54.7            | S 12x40.8 w/C 8x11.5 | S 18x54.7 w/C 9x13.4  | S 18x54.7 w/C 9x13.4  | S 20x66 w/C 9x13.4  | 28 ft.   |
| 30 ft.                            | S 10x25.4              | S 12x31.8 | S 12x40.8            | S 18x54.7            | S 12x40.8 w/C 8x11.5 | S 18x54.7 w/C 9x13.4  | S 18x54.7 w/C 9x13.4  | S 20x66 w/C 9x13.4  | 30 ft.   |
| 32 ft.                            | S 12x31.8              | S 12x40.8 | S 18x54.7            | S 12x40.8 w/C 8x11.5 | S 15x42.9 w/C 8x11.5 | S 18x54.7 w/C 9x13.4  | S 18x54.7 w/C 10x15.3 | S 20x66 w/C 9x13.4  | 32 ft.   |
| 34 ft.                            | S 12x40.8              | S 12x40.8 | S 18x54.7            | S 15x42.9 w/C 8x11.5 | S 15x42.9 w/C 8x11.5 | S 18x54.7 w/C 9x13.4  | S 20x66 w/C 9x13.4    | S 20x66 w/C 9x13.4  | 34 ft.   |
| 36 ft.                            | S 12x40.8              | S 12x40.8 | S 12x31.8 w/C 9x13.4 | S 15x42.9 w/C 8x11.5 | S 15x42.9 w/C 8x11.5 | S 18x54.7 w/C 12x20.7 | S 20x66 w/C 9x13.4    | S 20x66 w/C 12x20.7 | 36 ft.   |

\* Rated load is based on maximum combined hoist and trolley weights of: 500 pounds for 1/4, 1/2 and 1 ton hoists; 1100 pounds for 1½ and 2 ton hoists; 1600 pounds for 3 and 4 ton hoists; 2000 pounds for 5 ton hoists. Bridge designed in accordance with latest edition of CMAA Specification No. 74, using Lift-Tech trolleys.

\*\* Beam sizes listed are American Standard I-Beam and Channel sections. Use ASTM A36 grade steel, first quality, free of rust and excessive mill scale.

## SIZES OF BRIDGES THAT CAN BE BUILT WITH THESE KITS

| (**) BEAM SIZES FOR VARIOUS SPANS |                        |         |         |         |         |         |         |         |          |
|-----------------------------------|------------------------|---------|---------|---------|---------|---------|---------|---------|----------|
| Spans To                          | (*) RATED LOAD IN TONS |         |         |         |         |         |         |         | Spans To |
|                                   | 1/4                    | 1/2     | 1       | 1-1/2   | 2       | 3       | 4       | 5       |          |
| <b>Push or Hand Geared Crane</b>  |                        |         |         |         |         |         |         |         |          |
| 10 ft.                            | W 6x12                 | W 6x12  | W 8x15  | W 10x19 | W 12x22 | W 10x30 | W 14x38 | W 18x46 | 10 ft.   |
| 12 ft.                            | W 6x12                 | W 6x12  | W 8x15  | W 10x19 | W 12x22 | W 12x35 | W 18x40 | W 18x46 | 12 ft.   |
| 14 ft.                            | W 6x12                 | W 6x12  | W 8x15  | W 10x19 | W 10x26 | W 12x35 | W 18x40 | W 18x46 | 14 ft.   |
| 16 ft.                            | W 6x12                 | W 8x15  | W 8x18  | W 10x26 | W 14x26 | W 14x38 | W 16x45 | W 16x50 | 16 ft.   |
| 18 ft.                            | W 8x15                 | W 8x18  | W 8x18  | W 10x26 | W 10x30 | W 18x40 | W 16x45 | W 18x55 | 18 ft.   |
| 20 ft.                            | W 8x15                 | W 8x18  | W 8x21  | W 10x26 | W 10x30 | W 18x40 | W 18x46 | W 16x57 | 20 ft.   |
| 22 ft.                            | W 8x18                 | W 8x18  | W 10x26 | W 10x30 | W 14x34 | W 12x45 | W 16x50 | W 16x57 | 22 ft.   |
| 24 ft.                            | W 8x18                 | W 8x21  | W 10x26 | W 10x30 | W 12x35 | W 16x45 | W 16x50 | W 16x57 | 24 ft.   |
| 26 ft.                            | W 8x21                 | W 10x22 | W 10x30 | W 12x35 | W 14x38 | W 14x48 | W 14x53 | W 18x60 | 26 ft.   |
| 28 ft.                            | W 10x22                | W 10x26 | W 10x30 | W 14x38 | W 12x40 | W 14x48 | W 16x57 | W 18x65 | 28 ft.   |
| 30 ft.                            | W 10x22                | W 10x26 | W 14x34 | W 12x40 | W 14x43 | W 14x53 | W 18x65 | W 18x71 | 30 ft.   |
| 32 ft.                            | W 10x26                | W 10x30 | W 12x35 | W 14x43 | W 14x48 | W 18x60 | W 16x67 | W 16x77 | 32 ft.   |
| 34 ft.                            | W 10x26                | W 12x30 | W 14x38 | W 14x48 | W 14x48 | W 18x65 | W 16x67 | W 16x77 | 34 ft.   |
| 36 ft.                            | W 10x30                | W 14x34 | W 12x40 | W 14x48 | W 14x53 | W 16x67 | W 16x77 | W 16x89 | 36 ft.   |
| <b>Motor Driven Crane</b>         |                        |         |         |         |         |         |         |         |          |
| 10 ft.                            | W 6x12                 | W 6x12  | W 8x15  | W 10x19 | W 12x22 | W 12x35 | W 18x40 | W 18x46 | 10 ft.   |
| 12 ft.                            | W 6x12                 | W 6x12  | W 8x15  | W 10x19 | W 10x26 | W 12x35 | W 18x40 | W 18x46 | 12 ft.   |
| 14 ft.                            | W 6x12                 | W 6x12  | W 8x18  | W 10x26 | W 14x26 | W 14x38 | W 10x45 | W 16x50 | 14 ft.   |
| 16 ft.                            | W 6x12                 | W 8x15  | W 8x18  | W 10x26 | W 10x30 | W 18x40 | W 16x45 | W 14x53 | 16 ft.   |
| 18 ft.                            | W 8x15                 | W 8x18  | W 8x21  | W 10x26 | W 10x30 | W 18x40 | W 18x46 | W 16x57 | 18 ft.   |
| 20 ft.                            | W 8x18                 | W 8x18  | W 8x21  | W 10x30 | W 10x30 | W 10x45 | W 12x50 | W 16x57 | 20 ft.   |
| 22 ft.                            | W 8x18                 | W 8x21  | W 10x26 | W 10x30 | W 12x35 | W 16x45 | W 16x50 | W 16x57 | 22 ft.   |
| 24 ft.                            | W 8x18                 | W 8x21  | W 10x26 | W 14x34 | W 14x38 | W 14x48 | W 14x53 | W 18x65 | 24 ft.   |
| 26 ft.                            | W 8x21                 | W 10x26 | W 10x30 | W 12x35 | W 12x40 | W 12x50 | W 16x57 | W 18x65 | 26 ft.   |
| 28 ft.                            | W 10x22                | W 10x26 | W 10x33 | W 12x40 | W 12x40 | W 14x53 | W 18x65 | W 18x71 | 28 ft.   |
| 30 ft.                            | W 10x26                | W 10x30 | W 12x35 | W 12x40 | W 12x45 | W 14x53 | W 16x67 | W 14x74 | 30 ft.   |
| 32 ft.                            | W 10x26                | W 10x30 | W 14x38 | W 12x45 | W 14x48 | W 14x61 | W 16x67 | W 16x77 | 32 ft.   |
| 34 ft.                            | W 10x30                | W 14x34 | W 12x40 | W 14x48 | W 14x53 | W 16x67 | W 16x67 | W 16x89 | 34 ft.   |
| 36 ft.                            | W 10x30                | W 12x35 | W 12x40 | W 14x53 | W 14x61 | W 16x67 | W 16x77 | W 16x89 | 36 ft.   |

\* Rated load is based on maximum combined hoist and trolley weights of: 500 pounds for 1/4, 1/2 and 1 ton hoists; 1100 pounds for 1½ and 2 ton hoists; 1600 pounds for 3 and 4 ton hoists; 2000 pounds for 5 ton hoists. Bridge designed in accordance with latest edition of CMAA Specification No. 74, using Lift-Tech trolleys.

\*\* Beam sizes listed are American Standard I-Beam and Channel sections. Use ASTM A36 grade steel, first quality, free of rust and excessive mill scale.

### Catalog Numbers Required to Build a Push Crane

| For Spans Thru (ft) | Rated Load Range (tons) | 1 Pair of End Trucks (Catalog Number) |
|---------------------|-------------------------|---------------------------------------|
| 36                  | 1/4 thru 3              | 905368                                |
|                     | 1/4 thru 5              | 905524                                |

### Catalog Numbers Required to Build a Hand Geared Crane

| For Spans Thru (ft) | Rated Load Range (tons) | Catalog Number for 1 Pair of End Trucks (Cat. No. 905369 for 1/4 thru 3 ton or Cat. No. 905525 for 1/4 thru 5 tons). Chain Wheel and Guide (Cat No. 905371 which includes one cross shaft support and two cross shaft couplings) and Hand Chain (Cat. No. 8282 which includes 36 ft. of hand chain). | Cross Shaft Support |                | Cross Shaft Coupling |                |
|---------------------|-------------------------|--|---------------------|----------------|----------------------|----------------|
|                     |                         |  | Number Req'd        | Catalog Number | Number Req'd         | Catalog Number |
| 8                   | 1/4 thru 3              | 905372   | 0                   | 905373         | 0                    | 905374         |
| 15                  |                         |  | 0                   |                | 0                    |                |
| 22                  |                         |  | 1                   |                | 0                    |                |
| 29                  | 1/4 thru 5              | 905527   | 2                   |                | 1                    |                |
| 36                  |                         |  | 3                   |                | 1                    |                |

## Catalog Numbers Required to Build a Motor Driven Crane

| For Spans Thru (ft) | Rated Load Range (tons) | 1 Pair of End Trucks (Catalog Number) | Cross Shaft Support |                | Cross Shaft Coupling |                | Gear Reducer         |                     |                     | Motor        |        | Control  |        | Fused Disconnect Switch |          |          |
|---------------------|-------------------------|---------------------------------------|---------------------|----------------|----------------------|----------------|----------------------|---------------------|---------------------|--------------|--------|----------|--------|-------------------------|----------|----------|
|                     |                         |                                       | Number Req'd        | Catalog Number | Number Req'd         | Catalog Number | 10:1 Ratio (107 fpm) | 15:1 Ratio (71 fpm) | 20:1 Ratio (35 fpm) | 208-230/460V | 575V   | 208-230V | 460V   | 575V                    | 208-230V | 460-575V |
|                     |                         |                                       | 8                   | 1/4 thru 3     | 905369               | 0              | 905373               | 2                   | 905374              | 905376       | 905377 | 905378   | 905381 | 905382                  | 905385   | 905386   |
| 15                  | 1                       | 2                                     |                     |                |                      |                |                      |                     |                     |              |        |          |        |                         |          |          |
| 22                  | 2                       | 2                                     |                     |                |                      |                |                      |                     |                     |              |        |          |        |                         |          |          |
| 29                  | 3                       | 3                                     |                     |                |                      |                |                      |                     |                     |              |        |          |        |                         |          |          |
| 36                  | 1/4 thru 5              | 905525                                | 4                   |                | 3                    |                |                      |                     |                     |              |        |          |        |                         |          |          |

**Option:**

Ballast Resistors:   Catalog Number 905391 For 208-230V  
                                   Catalog Number 905392 For 460V  
                                   Catalog Number 905393 For 575V

## Catalog Numbers Required for Optional Equipment

### Trucks

| Rated Load (tons) | Truck Type | Flange Width (in) | Specialty       | Catalog Number |
|-------------------|------------|-------------------|-----------------|----------------|
| 1/4 thru 3        | Push       | 3-3/8 - 5-1/2     | Standard        | 905368         |
|                   |            | 5-1/2 - 8         | Wide Flange     | 905368W1       |
|                   |            | 8 - 10-1/2        | Wide Flange     | 905368W2       |
|                   |            | 3-1/4             | Patented Track  | 905368PT       |
|                   |            | 3 - 5-1/2         | Spark Resistant | 905368SR       |
| 1/4 thru 5        |            | 4 - 6-3/8         | Standard        | 905524         |
|                   |            | 6-3/8 - 9         | Wide Flange     | 905524W1       |
|                   |            | 9 - 11-1/2        | Wide Flange     | 905524W2       |
|                   |            | 3-1/4             | Patented Track  | 905524PT       |
|                   |            | 4 - 6-3/8         | Spark Resistant | 905524SR       |
| 1/4 thru 3        | Geared     | 3-3/8 - 5-1/2     | Standard        | 905369         |
|                   |            | 5-1/2 - 8         | Wide Flange     | 905369W1       |
|                   |            | 8 - 10-1/2        | Wide Flange     | 905369W2       |
|                   |            | 3-1/4             | Patented Track  | 905369PT       |
|                   |            | 3 - 5-1/2         | Spark Resistant | 905369SR       |
| 1/4 thru 5        |            | 4 - 6-3/8         | Standard        | 905525         |
|                   |            | 6-3/8 - 9         | Wide Flange     | 905525W1       |
|                   |            | 9 - 11-1/2        | Wide Flange     | 905525W2       |
|                   |            | 3-1/4             | Patented Track  | 905525PT       |
|                   |            | 4 - 6-3/8         | Spark Resistant | 905525SR       |

### Bridge Brake

| Voltage      | Brake  |
|--------------|--------|
| 120-240/1/60 | 905554 |
| 230-460/3/60 | 905555 |
| 575/3/60     | 905556 |

|                       |        |
|-----------------------|--------|
| <b>Bridge Bumpers</b> | 905390 |
|-----------------------|--------|

### Fused Disconnect Switch

| Voltage      | Switch |
|--------------|--------|
| 208-230/3/60 | 905338 |
| 460-575/3/60 | 905389 |
| 120/1/60     | 905366 |
| 240/1/60     | 905367 |

### Ballast Resistors

| 208-230V | 460V   | 575V   |
|----------|--------|--------|
| 905391   | 905392 | 905393 |

### Two Speed Motors and Controls

| Motor    |        |        | 115V Control |        |        |
|----------|--------|--------|--------------|--------|--------|
| 208-230V | 460V   | 575V   | 208-230V     | 460V   | 575V   |
| 905394   | 905395 | 905396 | 905397       | 905398 | 905399 |

| Electronic Acceleration Control (208-230-460/3/60) |        |
|--|--------|
| Single Speed                                       | 904596 |
| Two Speed  | 904598 |

### Single Phase Motors and Controls

| Motor    | 115V Control |        |
|----------|--------------|--------|
| 120-240V | 120V         | 240V   |
| 905363   | 905364       | 905365 |

|                                |        |
|--------------------------------|--------|
| <b>Air Motor Drive Package</b> | 904558 |
|--------------------------------|--------|

The proper catalog numbers must be ordered to build the crane required. For a push crane only one catalog number is required. Three are required for a hand geared crane and seven are required for a motor driven crane. Options are also available. Catalog numbers are shown on page 2.

3 ton end trucks have 4" diameter solid steel wheels (maximum allowable load is 4240 pounds per pair of wheels). 5 ton end trucks have 6-1/2" diameter solid steel wheels (maximum allowable load is 7520 pounds per pair of wheels). The 3 ton kit is good for rated loads from 1/4 thru 3 tons and 5 ton kit is good for rated loads from 1/4 thru 5 tons.

| Rated Load (tons) | Minimum Recommended Runway Beam Flange | Maximum Recommended Runway Beam Flange |        |           |
|-------------------|--|--|--------|-----------|
|                   |  | Beam                                   | Flange | Beam      |
| 3 Ton Kit         | 3-3/8"                                 | S 6x12.5                               | 5-1/2" | S 14x42.9 |
| 5 Ton Kit         | 4"                                     | S 8x18.4                               | 6-3/8" | S 20x75.0 |

Runway beams must be properly designed to support bridge, hoist, trolley and rated load. Runway beams rails must be level and parallel within  $\pm 1/8"$ . Runway stops must be positioned to contact both ends of the crane simultaneously.

### MATERIAL TO BE PURCHASED LOCALLY TO COMPLETE A CRANE BRIDGE

**1. Bridge Beam.** Obtain one length of American Standard Section I-Beam or Wide Flange Beam of the size recommended (see charts on page 1 and 2) for the rated load and span of bridge. The beam selected must be straight with flanges parallel to each other and flanges at 90 degrees to the web. See Figure 2. Where a channel is also required, the channel must be a minimum length of the span minus 4'-0".

| Rated Load (tons) | Minimum Length of Beams Required |
|-------------------|----------------------------------|
| 3 Ton Kit         | Span + (1' - 4-1/2")             |
| 5 Ton Kit         | Span + (1' - 6-3/4")             |

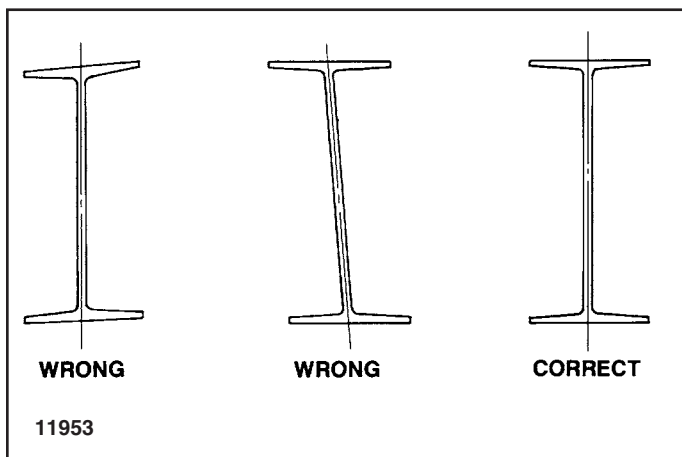


Figure 2. Correct Beam Selection.

**2. Trolley Stops.** Four (4) angles must be cut to size per Fig. 4.

## WARNING

Improperly installed trolley stops (clip angles) can result in loss of bridge with resultant injury and damage.

### TO AVOID INJURY AND DAMAGE:

Install end stops on both ends of beams to prevent hoist trolley from running off end of beam. See Figure 4.

**3. Cross Shaft.** For hand geared and motor driven cranes, cross shafts are also required. The cross shafts are to be 1" diameter AISI 1018 cold drawn steel with a standard mill tolerance of +.000", -.002". For spans thru 22'-0", only one length of cross shaft is required. For spans over 22'-0", two lengths of cross shaft are required. One length is to be 14'-9". See table below for length. Shaft lengths may be equalized if care is taken to clear supports.

| Rated Load (tons) | Cross Shaft Length Required If 1 Cross Shaft | Cross Shaft Length Required If 2 Cross Shaft |
|-------------------|--|--|
| 3 Ton Kit         | Span - (2' - 4-1/4")                         | Span - (17' - 1-3/8")                        |
| 5 Ton Kit         | Span - (2' - 5-1/2")                         | Span - (17' - 2-5/8")                        |

## NOTICE

A. All of the tables used in selection of structural steel beams have been produced by our engineering department using well established design guides for this type of crane bridge. IT IS IMPORTANT THAT ALL INSTRUCTIONS BE FOLLOWED AND THAT RECOMMENDED COMPONENT APPLICATION LIMITS NOT BE EXCEEDED.

B. Assembly of beam and channel requires welding. IT IS EXTREMELY IMPORTANT TO THE SAFETY OF THIS BRIDGE THAT THIS WELDING BE DONE BY A COMPETENT WELL TRAINED WELDER. It is our strong recommendation that the welder used in this construction be qualified as prescribed by the American Welding Society (AWS) Specification for Welding Industrial and Mill Cranes D14.1-latest issue.

### FABRICATION OF GIRDER FOR BRIDGE BEAM WITH CAPPING CHANNEL

Refer to Figure 3. Place channel on supports as shown in Step I. The I-beam is sighted for camber and placed with camber in direction shown in Step II. Weld one end of channel to the I-beam. Clamp, with "C" clamps, the channel to the I-beam flange - provide sufficient "C" clamps so as to hold channel in contact with the I-beam. Weld in accordance with the weld information given, starting at one end, staggering weld from side-to-side, proceeding to the opposite end without interruption. It is important to stagger weld from side-to-side in order to retain beam straightness. After welding, draw a taut string from end to end of beam as shown. Beam should either be parallel to string or have some camber. Camber should not exceed 1/800 of span.

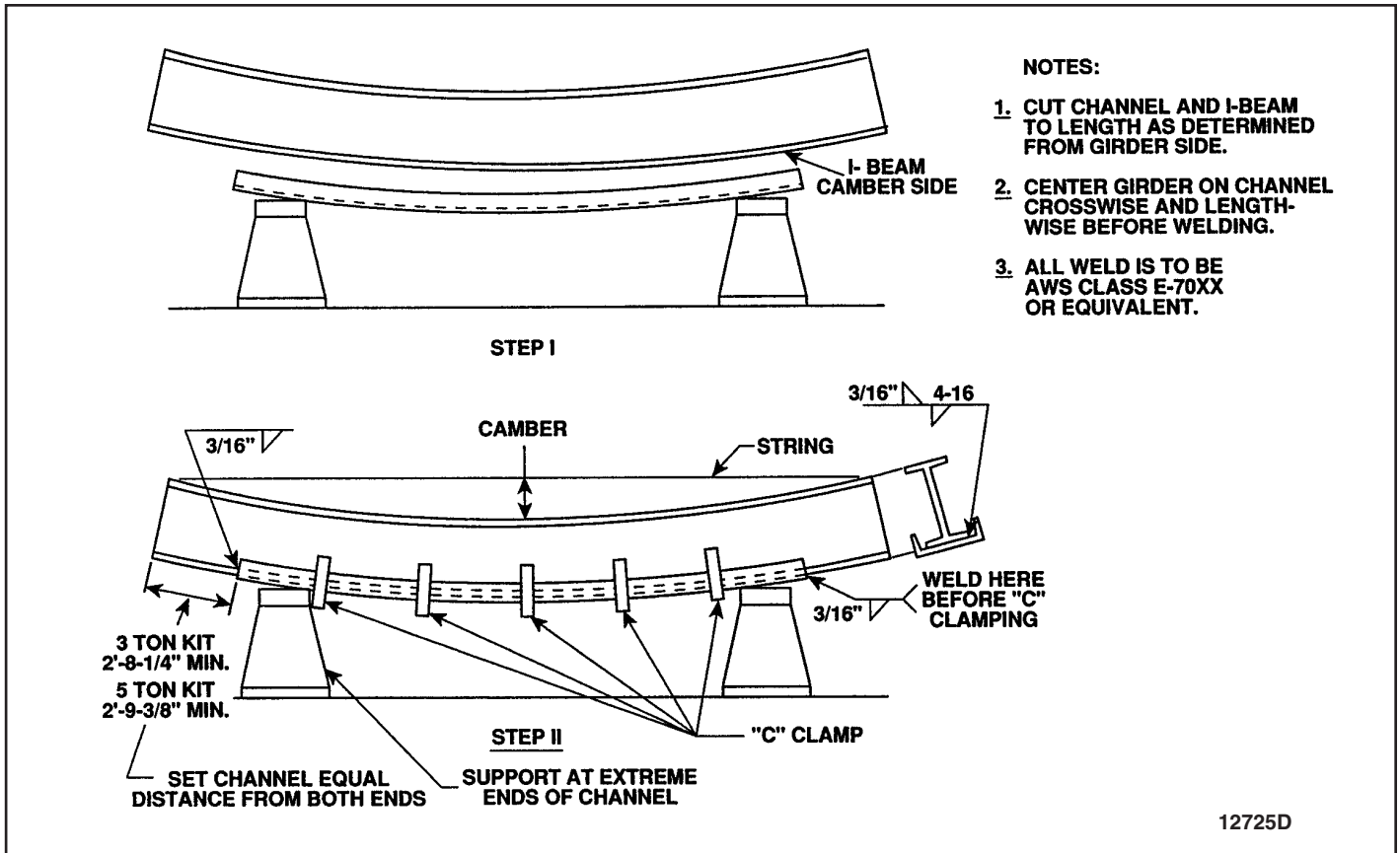


Figure 3.

### INSTRUCTIONS FOR ASSEMBLING PUSH CRANE BRIDGE

- Set I-beam for bridge on a level surface, camber side up.
- Layout and scribe the centerline (over the web) of the flange at each end of the I-beam.
- Scribe lines 1-1/2" from the toe of truck plates near center of trucks as shown in Figure 4.
- Locate center of truck and layout and scribe lines locating center of truck as well as hole locations (centered on truck centerline) given by dimension A in Figure 4.
- Lay truck in position on I-beam. Line up I-beam and truck centerlines. For required length I-beam the toe of the truck will line up with the end of the I-beam. Greater than required length must be compensated for.
- Square trucks on top of I-beam and securely clamp in place. Check squareness by measuring and comparing the distances between the truck outside corners, diagonally across crane. These two diagonal measurements should be within 1/32" of each other.
- Check center to center of trucks. This may be done by measuring from the back of the inside truck plate on one end of the bridge to the back of the outside truck plate on the other end of the bridge. This should equal the span length.
- Drill 4 holes thru truck and beam flange at hole locations scribed at both ends of bridge. See table below for hole size.
- Assemble I-beam to trucks using bolts furnished with kit.

| Rated Load (tons) | Hole Diameter | Bolt Diameter |
|-------------------|---------------|---------------|
| 3 Ton Kit         | 41/64"        | 5/8"          |
| 5 Ton Kit         | 49/64"        | 3/4"          |

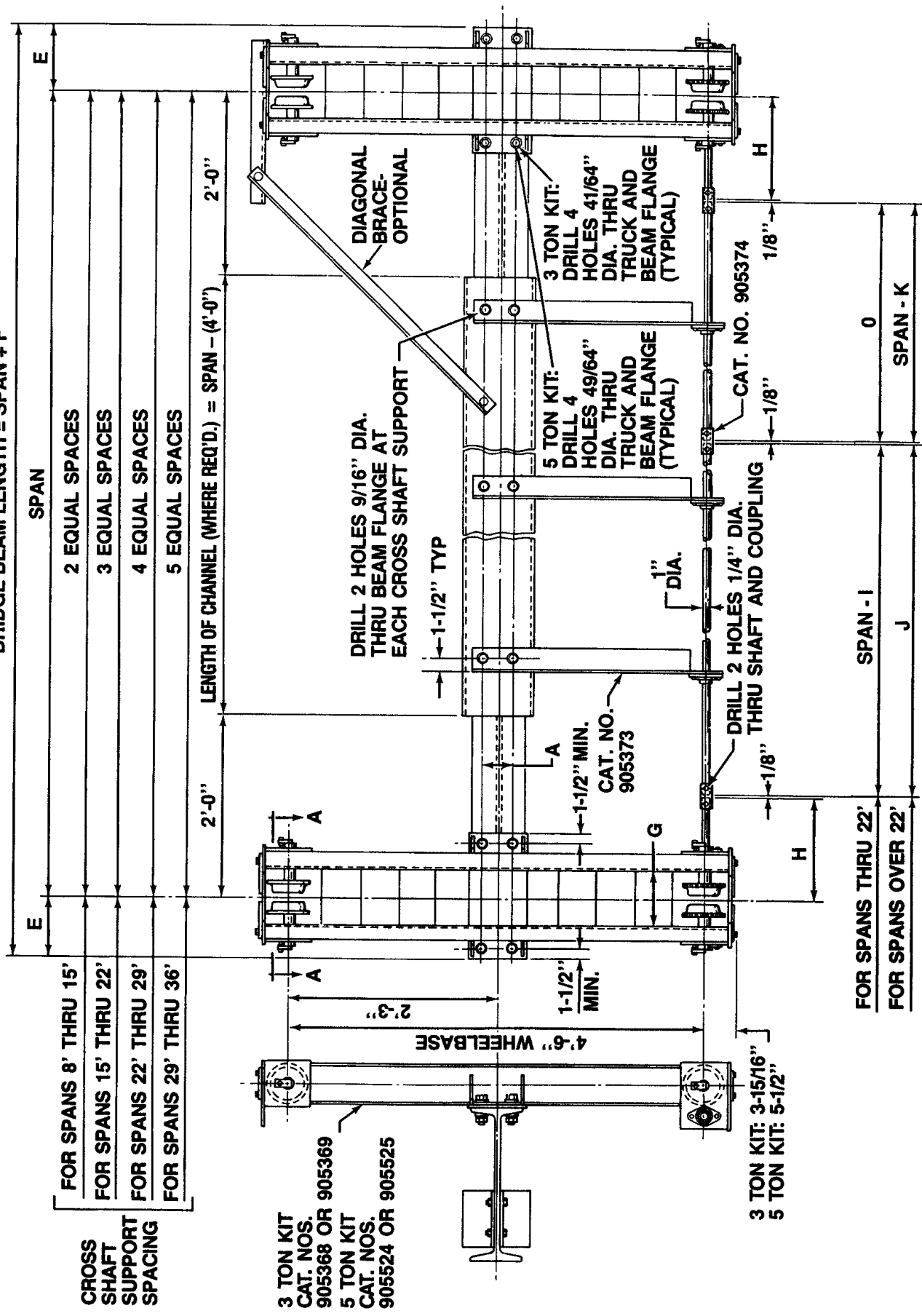
Put one flat washer between bolt head and truck plate and put beveled washer against I-beam flange. Measure the distance between the beveled washer and the end of the bolt (bolt projection). If this distance is less than 1", discard the flat washer under the bolt head. If the distance is greater than 1-1/4", add a second flat washer under the bolt head. Add self-locking nut.

Tighten all bolts and nuts using the turn-of-nut method. This is done by alternately bringing bolts and nuts to a "snug-tight" condition to insure that mating surfaces are brought into full contact with each other. Then, make a final 1/2 turn on all bolts and nuts.

### **CAUTION**

Do not substitute standard bolts and nuts for the special truck connecting bolts and nuts furnished with kit. Only high-strength bolts (S.A.E., grade 5) and elastic collared self-locking nuts, as furnished, are acceptable for attaching truck frames to bridge beam. High strength bolts are identified on the top of the head by three radial lines, equally spaced at 120 degrees. Self-locking nuts must have two threads, minimum extending thru nut. If necessary, discard flat washer to get two threads.

BRIDGE BEAM LENGTH = SPAN + F



CROSS SHAFT SUPPORT SPACING

|                        |
|------------------------|
| FOR SPANS 8' THRU 15'  |
| FOR SPANS 15' THRU 22' |
| FOR SPANS 22' THRU 29' |
| FOR SPANS 29' THRU 36' |

3 TON KIT  
CAT. NOS.  
905368 OR 905369

5 TON KIT  
CAT. NOS.  
905524 OR 905525

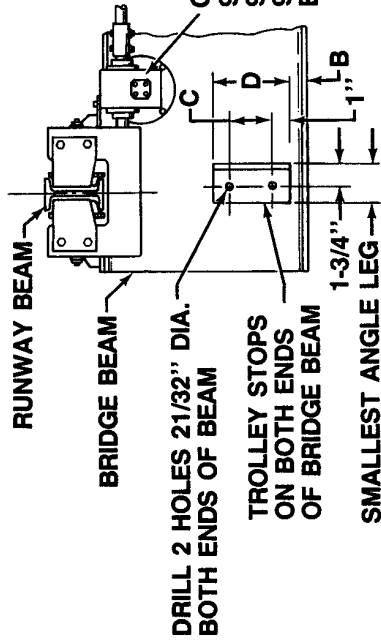
3 TON KIT: 3-15/16"  
5 TON KIT: 5-1/2"

FOR SPANS THRU 22'  
FOR SPANS OVER 22'

SPAN - I  
J  
0  
SPAN - K

PLAN VIEW





DRILL 2 HOLES 21/32" DIA. BOTH ENDS OF BEAM

TROLLEY STOPS ON BOTH ENDS OF BRIDGE BEAM

SMALLEST ANGLE LEG

**MOTOR DRIVEN CRANE**

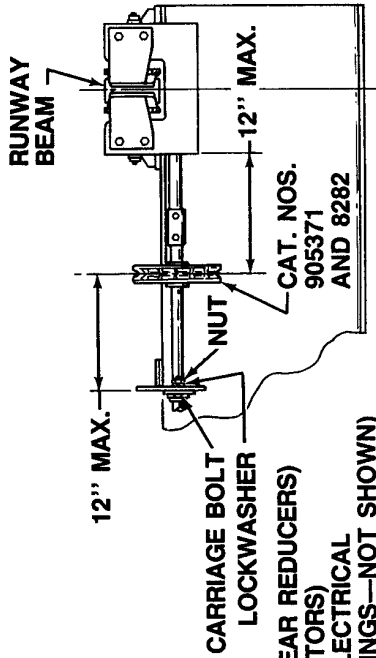
| Trucks             | E         | F          | G         | H†          | I‡         | J‡         | K‡         |
|--------------------|-----------|------------|-----------|-------------|------------|------------|------------|
| 905368, 905369     | 8-1/4"    | 1'-4-1/2"  | 7-5/8"    | 1'-2"       | 2'-4-1/4"  | 14'-9"     | 17'-1-3/8" |
| 905368W1, 905369W1 | 9-1/2"    | 1'-7"      | 10-1/8"   | 1'-3-1/4"   | 2'-6-3/4"  | 14'-7-3/4" | 17'-2-5/8" |
| 905368W2, 905369W2 | 10-3/4"   | 1'-9-1/2"  | 1'-0-5/8" | 1'-4-1/2"   | 2'-9-1/4"  | 14'-6-1/2" | 17'-3-7/8" |
| 905368PT, 905369PT | 8-1/4"    | 1'-4-1/2"  | 7-5/8"    | 1'-2"       | 2'-4-1/4"  | 14'-9"     | 17'-1-3/8" |
| 905368SR, 905369SR | 8-1/4"    | 1'-4-1/2"  | 7-5/8"    | 1'-2"       | 2'-4-1/4"  | 14'-9"     | 17'-1-3/8" |
| 905524, 905525     | 9-3/8"    | 1'-6-3/4"  | 8-7/8"    | 1'-2-5/8"   | 2'-5-1/2"  | 14'-9"     | 17'-2-5/8" |
| 905524W1, 905525W1 | 10-11/16" | 1'-9-3/8"  | 11-1/2"   | 1'-3-15/16" | 2'-8-1/8"  | 14'-7-3/4" | 17'-4"     |
| 905524W2, 905525W2 | 11-15/16" | 1'-11-7/8" | 1'-2"     | 1'-5-3/16"  | 2'-10-5/8" | 14'-6-1/2" | 17'-5-1/4" |
| 905524PT, 905525PT | 9-3/8"    | 1'-6-3/4"  | 8-7/8"    | 1'-2-5/8"   | 2'-5-1/2"  | 14'-9"     | 17'-2-5/8" |
| 905524SR, 905525SR | 9-3/8"    | 1'-6-3/4"  | 8-7/8"    | 1'-2-5/8"   | 2'-5-1/2"  | 14'-9"     | 17'-2-5/8" |

† Applicable to geared trucks only.

| Bridge Beam Flange Width | A      | B      | C  | D  |
|--------------------------|--------|--------|----|----|
| 3-3/8"                   | 2"     | 1"     | 2" | 4" |
| 3-5/8" thru 4"           | 2-1/4" | 1"     | 3" | 5" |
| 4-5/8" thru 5-1/4"       | 2-3/4" | 1-1/2" | 3" | 5" |
| 5-1/2" thru 6-3/4"       | 3-1/2" | 1-3/4" | 3" | 5" |
| 7" thru 7-5/8"           | 4"     | 1-3/4" | 4" | 6" |

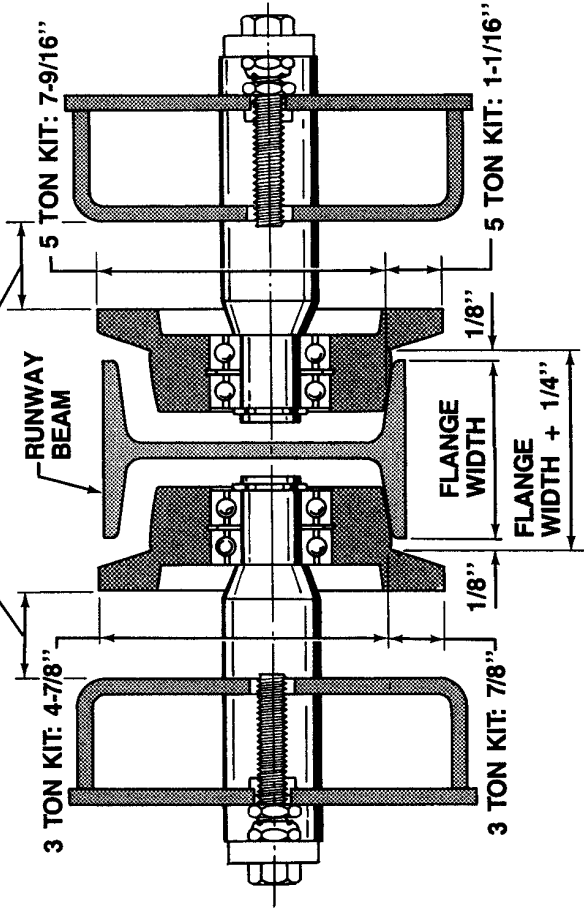
\* Trolley frame or bumpers should contact trolley stops.

\*\* Use 5 x 3 x 3/8 With W 12 x 40.8



**HAND GEARED CRANE**

DIMENSIONS TO BE EQUAL



**SECTION A-A (ENLARGED)**

Figure 4.

10. Mount trolley stops to I-beam web in position shown in Figure 4. Stops may be welded or bolted in place. If bolted, drill holes using 21/32" diameter drill as indicated in Figure 4. 5/8" diameter bolts with self-locking nuts should be used to secure stops.

11. If it is desired to increase the rigidity of the bridge, four angles (one to each corner) may be added in the position shown as "Optional" (at 45° to the bridge I-beam) in Figure 4. On a motor driven crane it may be necessary to move the electrical enclosure for clearance reasons.

## **INSTRUCTIONS FOR ASSEMBLING HAND GEARED CRANE BRIDGE**

1. Follow instructions for assembling push crane bridge.
2. Locate and drill holes for cross shaft supports.
3. Loosely bolt the cross shaft supports to the bridge beam. The flat washer goes under the bolt head and the beveled washer goes between the beam flange and the lockwasher and nut. The slotted plate spacer goes between the cross shaft support and the bridge beam unless the beam has a channel cap (see Figure 9). Discard the spacer if the beam has a channel cap.
4. Place the proper number of bearings and couplings on the cross shaft, set the unit in place and attach a flange bearing to each cross shaft support with two carriage bolts, lockwashers and hex nuts. The carriage bolt head locks in the bearing. Tighten set screws in bearings. The hand chain wheel and chain guide must also be placed on the cross shaft before placing. They may be positioned anywhere across the span, but must be within 12" of a cross shaft support or truck.
5. Check horizontal alignment of the cross shaft by using a taut line. Tighten cross shaft supports when alignment is complete.
6. Check the space between ends of cross shafts; it should be 1/8". Position the couplings and drill 1/4" diameter holes through the shaft and coupling using the holes in one side of the coupling as a guide. Shaft and coupling is secured by socket head cap screws with flat washers and self-locking hex nuts (see Figure 10).
7. Set position of hand chain wheel and chain guide (within 12" of cross shaft bracket or truck) with set screw on hand chain wheel. Determine length of operating hand chain (chain should hang about 2 feet 6 inches above floor), cut chain and make it endless by installing and closing open link furnished with chain.

## **INSTRUCTIONS FOR ASSEMBLING MOTOR DRIVEN CRANE BRIDGE**

1. Follow instructions for assembling push crane bridge.
2. Locate and drill holes for cross shaft supports. It is allowable to use a drive on each truck and eliminate the cross shaft. In this case eliminate Steps 3, 7, 8 and 9.
3. Loosely bolt the cross shaft supports to the bridge beam. The flat washer goes under the bolt head and the beveled washer goes between the beam flange and the lockwasher and nut. The slotted plate spacer goes between the cross shaft support and the bridge beam unless the beam has a channel cap (see Figure 9). Discard the spacer if the beam has a channel cap.

4. Bolt the motor to the gear reducer with four hex head bolts and lockwashers and bolt the support plate to the gear reducer with two hex socket head cap screws and lockwashers. The drive may go on either end of the bridge.

5. Place key in truck drive shaft, slide gear reducer into place over shaft and bolt support plate to side of truck with two hex socket head cap screws and lockwashers. Maximum allowable torque is 10 pound feet. Tighten six set screws in gear reducer hollow shaft (Ref. No. 18 in Figure 12).

6. Using the 9/32" diameter hole in the support plate as a guide, drill a 5/16" diameter hole through the support plate and truck side and drive the groove pin, furnished, into the hole (Ref. No. 4 in Figure 12).

7. Place the proper number of bearings and couplings on the cross shaft, set the unit in place and attach a flange bearing to each cross shaft support with two carriage bolts, lockwashers and hex nuts. The carriage bolt head locks in the bearing (see Figure 9).

8. Check horizontal alignment of the cross shaft by using a taut line. Tighten cross shaft supports when alignment is complete.

9. Check the space between cross shafts; it should be 1/8". Position the couplings and drill 1/4" diameter holes through the shaft and coupling using the holes in one side of the coupling as a guide. Shaft and coupling is secured by socket head cap screws with flat washers and self-locking hex nuts (see Figure 10).

10. Mount electrical enclosure in holes on inside of truck over gear reducer (see Figure 13).

11. Mount fused disconnect switch in any safe, convenient location.

12. If ballast resistors (optional) are furnished, four holes are provided in the side of the electrical enclosure for mounting.

## **PAINTING**

After assembly, all plain steel surfaces should be painted. Thoroughly clean surfaces of oily spots and rust using a suitable solvent. It is recommended that a national brand zinc-chromate primer be applied before a finish coat of high gloss enamel especially suited for steel surfaces.

## **MARKING**

Codes require that the capacity of the bridge be shown on both sides of crane, legible from the floor. Normal practice for marking is to use capacity in tons, for example: 1 TON, 2 TON, etc. Stencil forms are readily available that may be used with brush-on or pressurized spray-can paint.

## **NOTICE**

The crane builder and user are responsible for marking crane and also to check for compliance with all local, state and national codes.



## INSTALLATION OF CRANE BRIDGE

### **⚠ WARNING**

Working in or near exposed electrical equipment presents the danger of electric shock when installing crane on runway.

#### **TO AVOID INJURY AND DAMAGE:**

Lock the runway conductor disconnect switch in the open (off) position.

**Note:** Minimum runway beam size allows vertical clearance for bridge wheels between runway beam flanges. Encroachment of flange connections into this area may cause interference.

1. **Open End Runway.** If one end of the crane runway is open and no interference is encountered the crane bridge can be placed on the end of the runway. First check distance between wheels. The distance between the inside faces of the wheel flanges should be the width of the bottom flange of the runway beam plus 1/4". See Figure 5. Note also that the dimensions from the back of the wheels to the sides of the truck should be equal as shown in Figure 5. If wheel adjustment is required, see paragraph 5. If wheels do not require adjusting, lift crane bridge so that wheels are level with contact surface on runway beam. Carefully move crane bridge onto runway.

### **⚠ WARNING**

When a crane bridge is mounted on a runway beam, the omission of properly installed end stops can result in loss of bridge with resultant injury and damage.

#### **TO AVOID INJURY AND DAMAGE:**

Install end stops.  
End stops per trolley stop table in Figure 4 may be used and installed per instructions given.

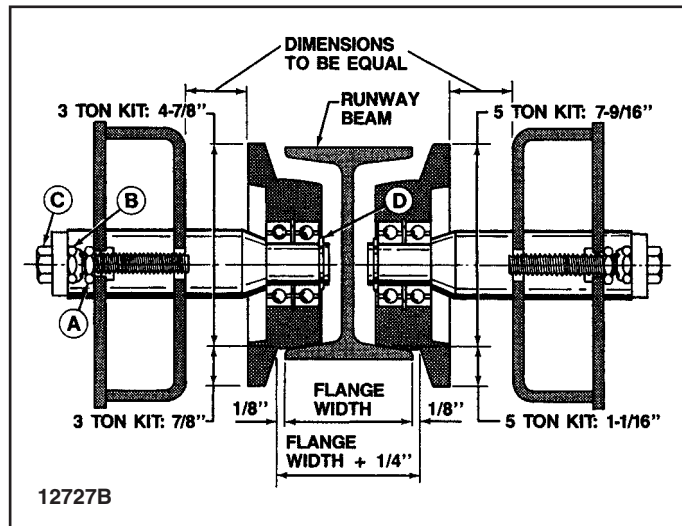


Figure 5.

2. **Removable Runway Section.** In some installations a removable section of runway may be available. If so, remove runway section, check crane bridge wheel adjustment and install crane bridge as in paragraph 1, and reinstall runway section.

3. **Runway beam flange width 3-3/8" or less.** Refer to Figure 5. Loosen jam nut "A" and self-locking nut "B". Back axle and wheel out against truck side by turning bolt "C". Lift crane bridge to runway level and secure. See paragraph 5 for wheel adjustment.

4. **Wheel Removal.** If the methods above are not possible, the crane bridge wheels must be removed. Refer to Figure 5. Loosen jam nut "A" and self-locking nut "B". Back axle and wheel out to truck side by turning bolt "C". Remove retaining ring "D". Hold wheel to keep from falling, back out bolt "C" until clear, and remove axle and wheel. Remove all wheels. Lift crane bridge to runway level and secure. Reinstall wheels in reverse order of removal. See paragraph 5 for wheel adjustment.

5. **Wheel Adjustment.** Measure the width of the bottom flange of the runway beam and add 1/4". This is to be the dimension between the inside faces of the wheel flanges as shown in Figure 5. Lift or jack up truck from runway beam (to remove weight from wheels) and adequately secure. Loosen jam nut "A" and self-locking nut "B" and adjust bolt "C" on a set of wheels to get the proper dimension between wheel flanges and to maintain equal dimensions from the back of the wheels to the side of the truck as shown in Figure 5. Securely tighten jam nut "A" and self-locking nut "B". After all wheels are adjusted, lower truck to runway and check clearance between wheel flange and edge of beam (1/8").

6. On a hand geared or a motor driven crane, loosen the two set screws holding each pinion in the geared truck. If LOCTITE has been used, some heat may be necessary to loosen set screws. Align the teeth of the pinions with the geared wheels and tighten the set screws.

### **NOTICE**

It is recommended that for positive locking of the drive pinions (Figure 8, Ref. No. 25) on hand geared and motor driven end trucks, the following procedure be used (after wheel adjustment is complete).

- Make sure the area on the shaft under the drive pinions in their adjusted position is free from oil and dry. Use a suitable non-oily solvent or LOCTITE Safety Solvent 755.
- Align the teeth of the pinions with the geared wheels and lightly tighten the set screws which engage the pinion keys.
- Remove the other set screws and rotate the pinion shaft until these set screw holes are above horizontal.
- Apply LOCTITE 290 in the set screw holes until it can be seen flowing from the pinion bore at the shaft.
- Replace set screws and tighten fully. For maximum locking, use a **new**, high quality 1/8" hex key and apply pressure at the end of the longer arm until it bends about 30°.
- Loosen set screws over keys, apply a few drops of LOCTITE 290 and retighten as in Step E above.

7. When applicable follow National, State and Local electrical codes when providing electrical service to crane bridge. Make electrical connections according to the wiring diagrams furnished with the crane bridge. **Do not attempt to operate crane bridge before completing tests and adjustments.**

|  |
|--|
| <b>⚠ WARNING</b>   |
| Improper grounding may cause electrical shock to the operator.   |
| <b>TO AVOID INJURY AND DAMAGE:</b><br>This equipment must be effectively grounded according to applicable codes.<br>Ordinarily the crane is grounded to the runway beam through contact with the wheels. Certain environments may prevent proper grounding by this means. In those cases, a 4th runway conductor should be provided to assure adequate grounding.<br>This also applies to the cross conductors and the electrical contact between the trolley wheel and the bridge girder. |

## FUSE AND MAINLINE DISCONNECT PANELS

Mainline disconnect panels and fuse bridge control panels are provided as options to assist users in complying with OSHA codes. When ordered with crane, they will be completely installed inside of electrical enclosures.

Electrical service is to be connected to crane equipped with fuse panels and mainline disconnect panels as shown in wiring diagram.

|  |
|--|
| <b>⚠ WARNING</b>   |
| Improper power supply can damage electrical components.  |
| <b>TO AVOID INJURY AND DAMAGE:</b><br>Power supply must be the same voltage, frequency and phase as specified on the crane motor nameplates. |

## OPERATING PRECAUTIONS

|  |
|--|
| <b>⚠ WARNING</b>   |
| Supporting or transporting loads over people can result in injury.   |
| <b>TO AVOID INJURY AND DAMAGE:</b><br>Do not use these bridges for support or transport of people or for transporting loads over people. |

Safe operation of an overhead hoist is the operator's responsibility. Listed below are some basic rules that can make an operator aware of dangerous practices to avoid and precautions to take for his own safety and the safety of others. Observance of these rules in addition to frequent examinations and periodic inspection of the equipment may save injury to personnel and damage to equipment.

**DO NOT** load bridge beyond rated capacity.

**DO NOT** subject bridge to side loads. Always center trolley over load when hoisting.

**DO NOT** stand and **DO NOT** cause or allow others to stand or get under any load the bridge is supporting. **DO** keep clear, and make sure others keep clear, of any load the bridge is supporting.

**DO NOT** ram bridge into end stops, other bridge, or any obstruction on beam. Improper and careless operation can result in a hazardous condition for operator and load.

**ALWAYS** be sure load is clear of obstruction before traversing load.

If crane bridge is mounted on an open-end runway rail, then end stops must be installed to prevent crane bridge from running off the end of the runway rail resulting in injury to the operator and others and damages to load and other property. End stops per trolley stop table in Figure 4 may be used and installed per instructions given.

Refer to hoist and trolley instruction manuals for safety warnings on hoist and trolleys.

Read and comply with ANSI B30.11 Monorails and Underhung Cranes, latest edition.

Read and comply with all local, state and national safety codes.

## MAINTENANCE AND LUBRICATION

1. Inspect the bridge on a regular maintenance schedule. Check to make sure wheel axle ADJUSTMENT bolts and all connections are tight. Check wheel tread surfaces for wear or damage. Check truck sides for any evidence of overload or damage. Replace any worn or damaged parts using only factory approved replacement parts.

2. Lubrication requirements:

- a. Wheel bearings are permanently lubricated and require no additional lubricant.
- b. Drive wheel gears are to be lubricated with an open type gear grease which is heavy, plastic, extreme pressure and tacky; such as MOBILTAC 275 or equal.
- c. The hollow shaft worm gear reducer lubricant should be changed every year or 2000 hours of service for moderate usage. The lubricant should be changed more frequently if the service is more severe. Use one pint of AGMA lubricant number 7, compounded, if the ambient temperature is 15° to 60°F or AGMA lubricant number 8, compounded, if the ambient temperature is 50° to 125° F.
- d. It is recommended that the areas of the cross shaft covered by gear reducers, bearings and couplings be coated with FEL-PRO C5-A, or equal, anti-seize lubricant.

Before crane operation the vent plug must be in the proper location in the gear reducer. The vent plug replaces the pipe plug in the highest location on the end of the gear reducer (see Figure 12).



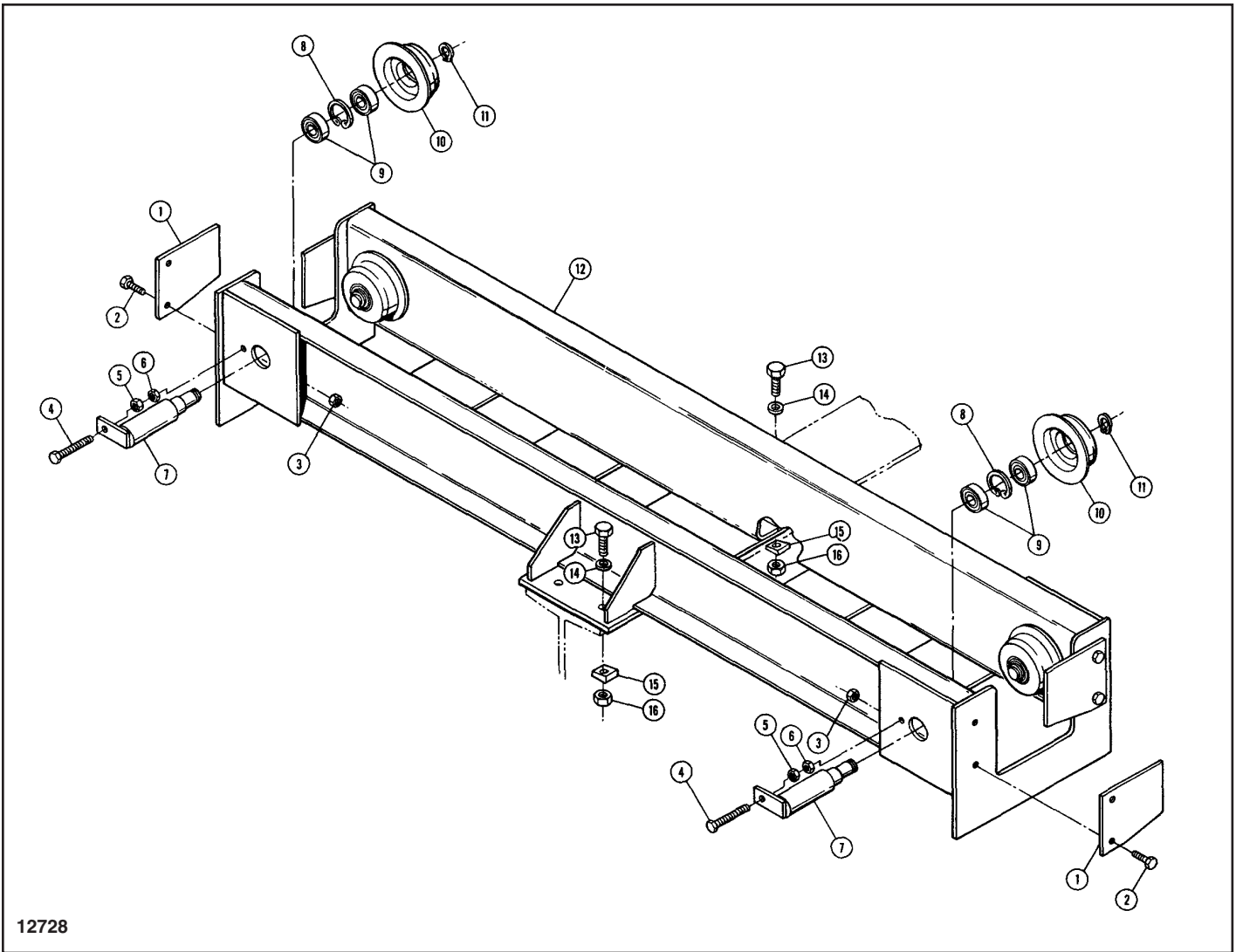
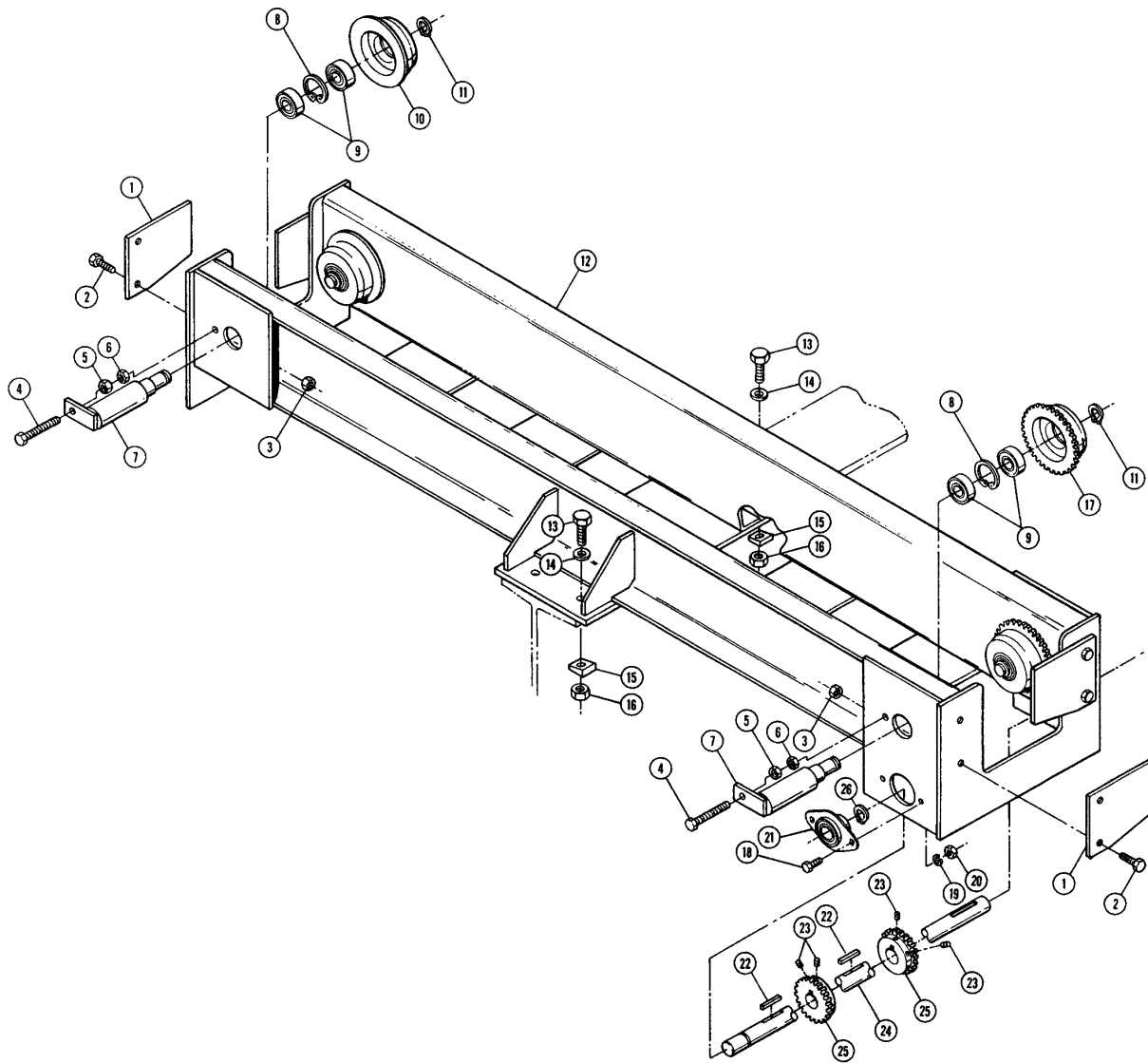


Figure 7. Push Truck. Catalog Numbers 905368 and 905524. (Only 1 Truck Shown)

| Ref. No. | Part Number |         | Description  | Qty. Req'd. |
|----------|-------------|---------|--|-------------|
|          | 905368      | 905524  |  |             |
| 1        | BTK-701     | BTK-722 | End Stop   | 4           |
| 2*       | BTK-702     | BTK-702 | High Strength Hex Head Bolt - SAE Grade 5 (1/2-13 x 1-1/4) | 8           |
| 3*       | BTK-703     | BTK-703 | Heavy Hex Self-Locking Nut (1/2-13)                        | 8           |
| 4        | BTK-704     | BTK-704 | High Strength Hex Head Tap Bolt                            | 4           |
| 5        | BTK-705     | BTK-705 | Thin Hex Self-Locking Nut (1/2-13)                         | 4           |
| 6        | BTK-706     | BTK-706 | Hex Jam Nut (1/2-13)                                       | 4           |
| 7        | BTK-707     | BTK-723 | Axle   | 4           |
| 8        | BTK-708     | BTK-724 | Retaining Ring   | 4           |
| 9        | BTK-709     | BTK-725 | Ball Bearing   | 8           |
| 10       |             |         | Wheel  | 4           |
|          | BTK-710     | BTK-726 | Standard   |             |
|          | BTK-717     | BTK-727 | Patented Track   |             |
|          | BTK-718     | BTK-728 | Spark Resistant  |             |
| 11       | BTK-711     | BTK-729 | Retaining Ring   | 4           |





12729B

Figure 8. Geared Truck. Catalog Numbers 905369 and 905525. (Only 1 Truck Shown)

| Ref. No. | Part Number |         | Description  | Qty. Req'd. |
|----------|-------------|---------|--|-------------|
|          | 905369      | 905525  |  |             |
| 1        | BTK-801     | BTK-837 | End Stop   | 4           |
| 2*       | BTK-802     | BTK-802 | High Strength Hex Head Bolt - SAE Grade 5 (1/2-13 x 1-1/4) | 8           |
| 3*       | BTK-803     | BTK-803 | Heavy Hex Self-Locking Nut (1/2-13)                        | 8           |
| 4        | BTK-804     | BTK-804 | High Strength Hex Head Tap Bolt                            | 4           |
| 5        | BTK-805     | BTK-805 | Thin Hex Self-Locking Nut (1/2-13)                         | 4           |
| 6        | BTK-806     | BTK-806 | Hex Jam Nut (1/2-13)                                       | 4           |
| 7        | BTK-807     | BTK-838 | Axle   | 4           |
| 8        | BTK-808     | BTK-839 | Retaining Ring   | 4           |
| 9        | BTK-809     | BTK-840 | Ball Bearing   | 8           |
| 10       |             |         | Plain Wheel  | 2           |
|          | BTK-810     | BTK-841 | Standard   |             |
|          | BTK-826     | BTK-842 | Patented Track   |             |
|          | BTK-827     | BTK-843 | Spark Resistant  |             |
| 11       | BTK-811     | BTK-844 | Retaining Ring   | 4           |



Figure 8. Geared Truck. Catalog Numbers 905369 and 905525 (Continued).

| Ref. No. | Part Number |         | Description                                  | Qty. Req'd. |
|----------|-------------|---------|--|-------------|
|          | 905369      | 905525  |  |             |
| 12       |             |         | Truck Weldment                               | 1           |
|          | BTK-812     | —       | For 3" Thru 5-1/2" Runway Beam Flange Width  |             |
|          | BTK-828     | —       | For 5-1/2" Thru 8" Runway Beam Flange Width  |             |
|          | BTK-829     | —       | For 8" Thru 10-1/2" Runway Beam Flange Width |             |
|          | —           | BTK-845 | For 4" Thru 6-3/8" Runway Beam Flange Width  |             |
|          | —           | BTK-856 | For 6-3/8" Thru 9" Runway Beam Flange Width  |             |
|          | —           | BTK-857 | For 9" Thru 11-1/2" Runway Beam Flange Width |             |
| 13       |             |         | High Strength Hex Head Bolt - SAE Grade 5    | 4           |
|          | BTK-813     | —       | 5/8-11 x 2-1/2                               |             |
|          | —           | BTK-858 | 3/4-10 x 2-3/4                               |             |
| 14       |             |         | Plain Washer                                 | 8           |
|          | BTK-814     | —       | 5/8 Type N Pltd.                             |             |
|          | —           | BTK-846 | Special                                      |             |
| 15       | BTK-815     | BTK-847 | Beveled Washer                               | 4           |
| 16       | BTK-830     | BTK-848 | Heavy Hex Self-Locking Nut                   | 4           |
| 17       |             |         | Geared Wheel                                 | 2           |
|          | BTK-817     | BTK-849 | Standard                                     |             |
|          | BTK-831     | BTK-850 | Patented Track                               |             |
|          | BTK-832     | BTK-851 | Spark Resistant                              |             |
| 18       | BTK-818     | BTK-818 | Hex Head Bolt (5/16-18 x 1-1/4)              | 4           |
| 19       | BTK-819     | BTK-819 | Spring Lock Washer (5/16)                    | 4           |
| 20       | BTK-820     | BTK-820 | Hex Nut (5/16-18)                            | 4           |
| 21       | BTK-821     | BTK-821 | Flange Bearing                               | 2           |
| 22       | BTK-833     | BTK-852 | Square Key                                   | 2           |
| 23       | BTK-823     | BTK-853 | Set Screw                                    | 4           |
| 24       |             |         | Pinion Shaft                                 | 1           |
|          | BTK-824     | —       | For 3" Thru 5-1/2" Runway Beam Flange Width  |             |
|          | BTK-834     | —       | For 5-1/2" Thru 8" Runway Beam Flange Width  |             |
|          | BTK-835     | —       | For 8" Thru 10-1/2" Runway Beam Flange Width |             |
|          | —           | BTK-854 | For 4" Thru 6-3/8" Runway Beam Flange Width  |             |
|          | —           | BTK-859 | For 6-3/8" Thru 9" Runway Beam Flange Width  |             |
|          | —           | BTK-860 | For 9" Thru 11-1/2" Runway Beam Flange Width |             |
| 25       | BTK-825     | BTK-855 | Pinion                                       | 2           |
| 26       | BTK-836     | BTK-836 | Retaining Ring                               | 1           |

\*On later model trucks Ref. No. 2 (new Part Number BTK-871 - 1/2-13 x 1) is now threaded into the end plate of the truck thus eliminating Ref. No. 3. A lock washer (not shown - Part Number BTK-870 - 1/2) is under the head of Ref. No. 2.

### NOTES

---



---



---



---



---



---



---



---



---



---

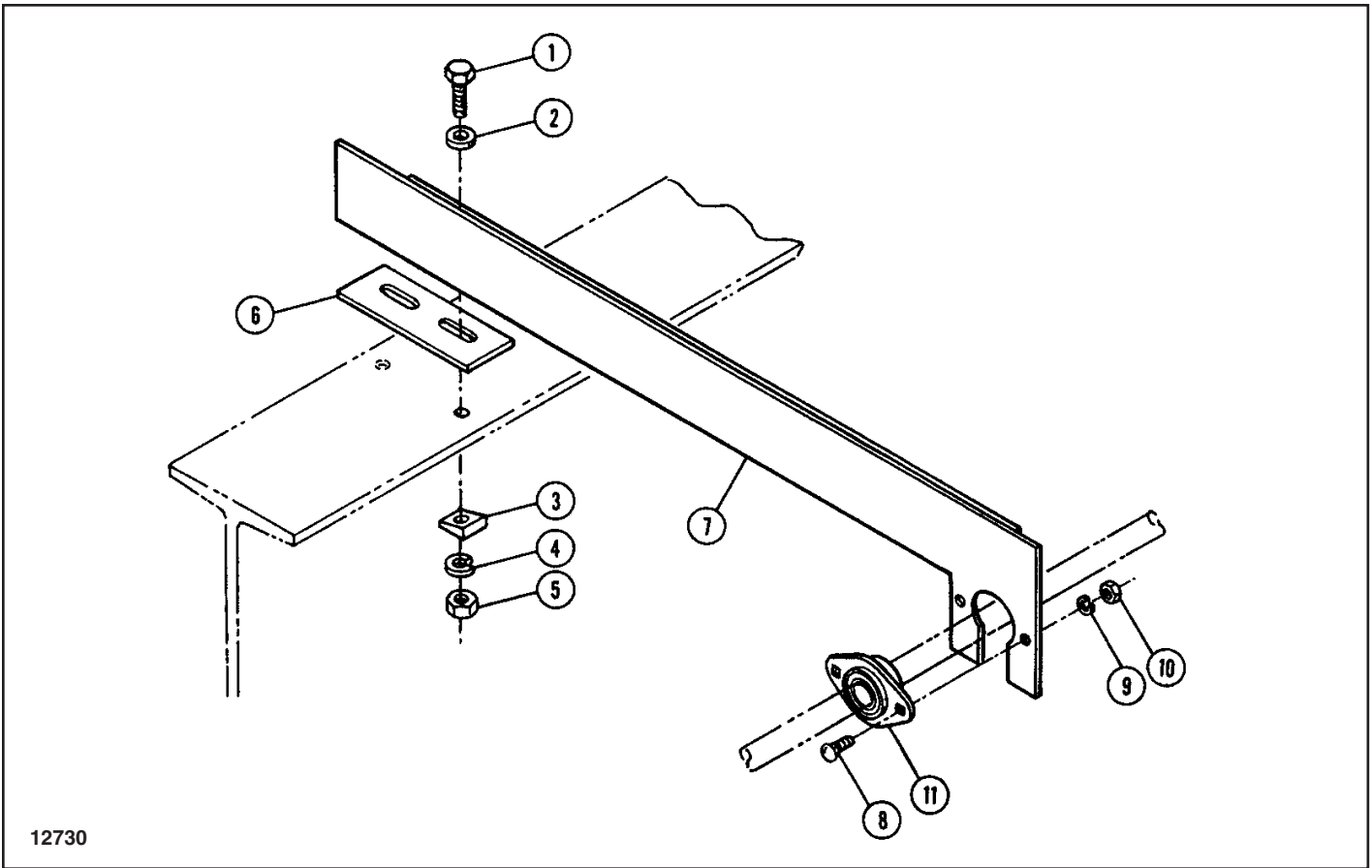


Figure 9. Cross Shaft Support. Catalog Number 905373.

| Ref. No. | Part Number | Description                                     | Qty. Req'd |
|----------|-------------|---|------------|
| 1        | BTK-901     | Hex Head Bolt (1/2-13 x 2-1/4 Pltd.)            | 2          |
| 2        | BTK-902     | Plain Washer (Type N 1/2 Pltd.)                 | 2          |
| 3        | BTK-903     | Beveled Washer                                  | 2          |
| 4        | BTK-904     | Spring Lock Washer (1/2 Pltd.)                  | 2          |
| 5        | BTK-905     | Hex Nut (1/2-13 Pltd.)                          | 2          |
| 6        | BTK-906     | Spacer  | 1          |
| 7        | BTK-907     | Cross Shaft Support                             | 1          |
| 8        | BTK-908     | Round Head Square Neck Bolt (5/16-18 x 1 Pltd.) | 2          |
| 9        | BTK-909     | Spring Lock Washer (5/16 Pltd.)                 | 2          |
| 10       | BTK-910     | Hex Nut (5/16-18 Pltd.)                         | 2          |
| 11       | BTK-911     | Flange Bearing                                  | 1          |

**NOTES**

---



---



---



---



---

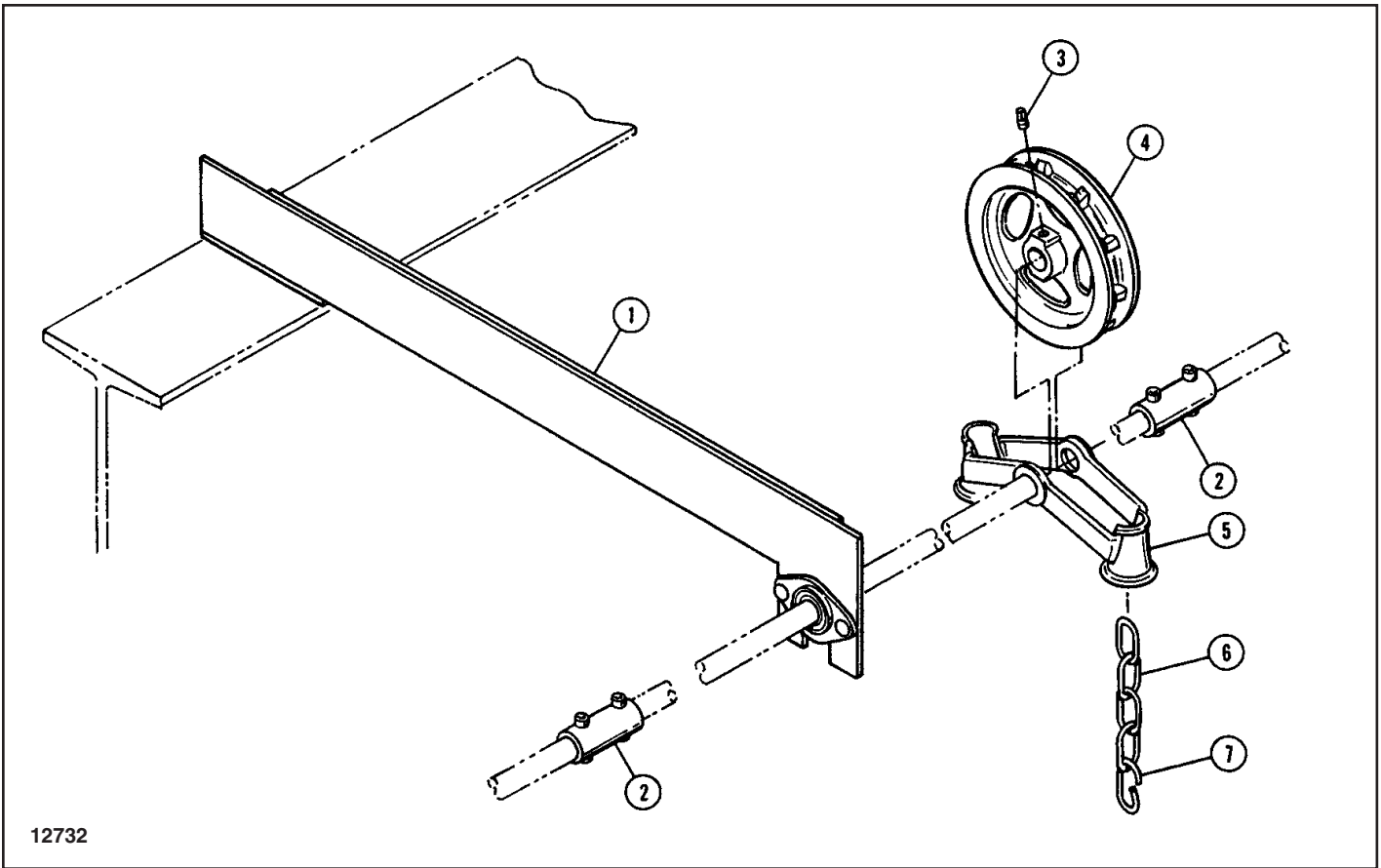


---



---





12732

Figure 11. Hand Chain Drive. Catalog Numbers 905371 and 8282.

| Ref. No. | Part Number | Description   | Qty. Req'd |
|----------|-------------|---|------------|
| 1        |             | Catalog Number 905371 Consists of Ref. Nos. 1 thru 5: |            |
|          |             | Catalog Number 905373                                 | 1          |
| 2        |             | Catalog Number 905374                                 | 2          |
| 3        | BTK-1101    | Square Head Set Screw, Cup Point (3/8 - 16 x 1 Pltd.) | 1          |
| 4        | BTK-1102    | Hand Chain Wheel                                      | 1          |
| 5        | BTK-1103    | Chain Wheel Guide                                     | 1          |
|          |             | Catalog Number 8282 Consists of Ref. Nos. 6 and 7:    |            |
| 6        | BTK-1104    | Hand Chain  | 36 ft.     |
| 7        | BTK-1105    | Connecting Link                                       | 1          |

**NOTES**

---



---



---



---



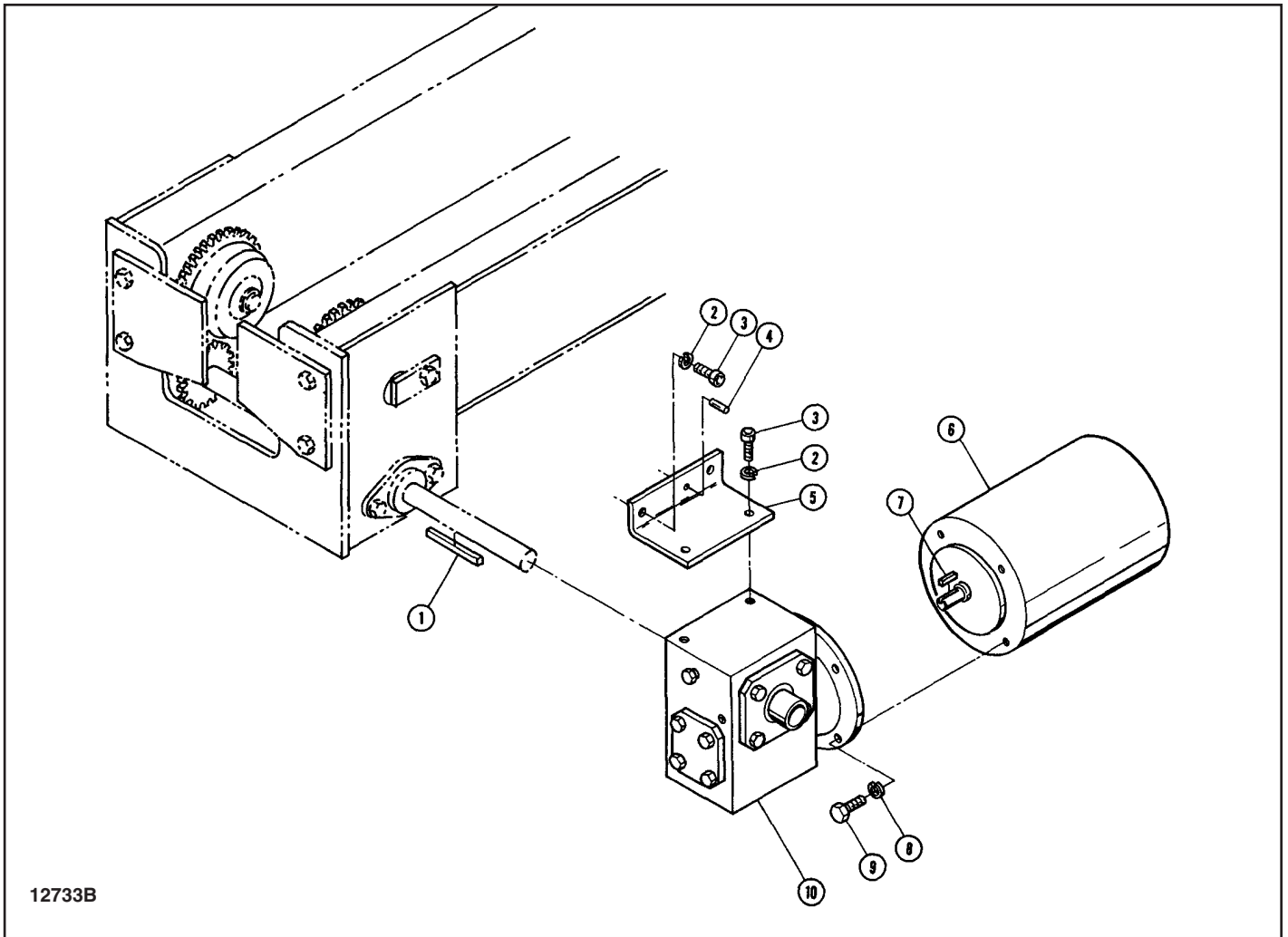
---



---



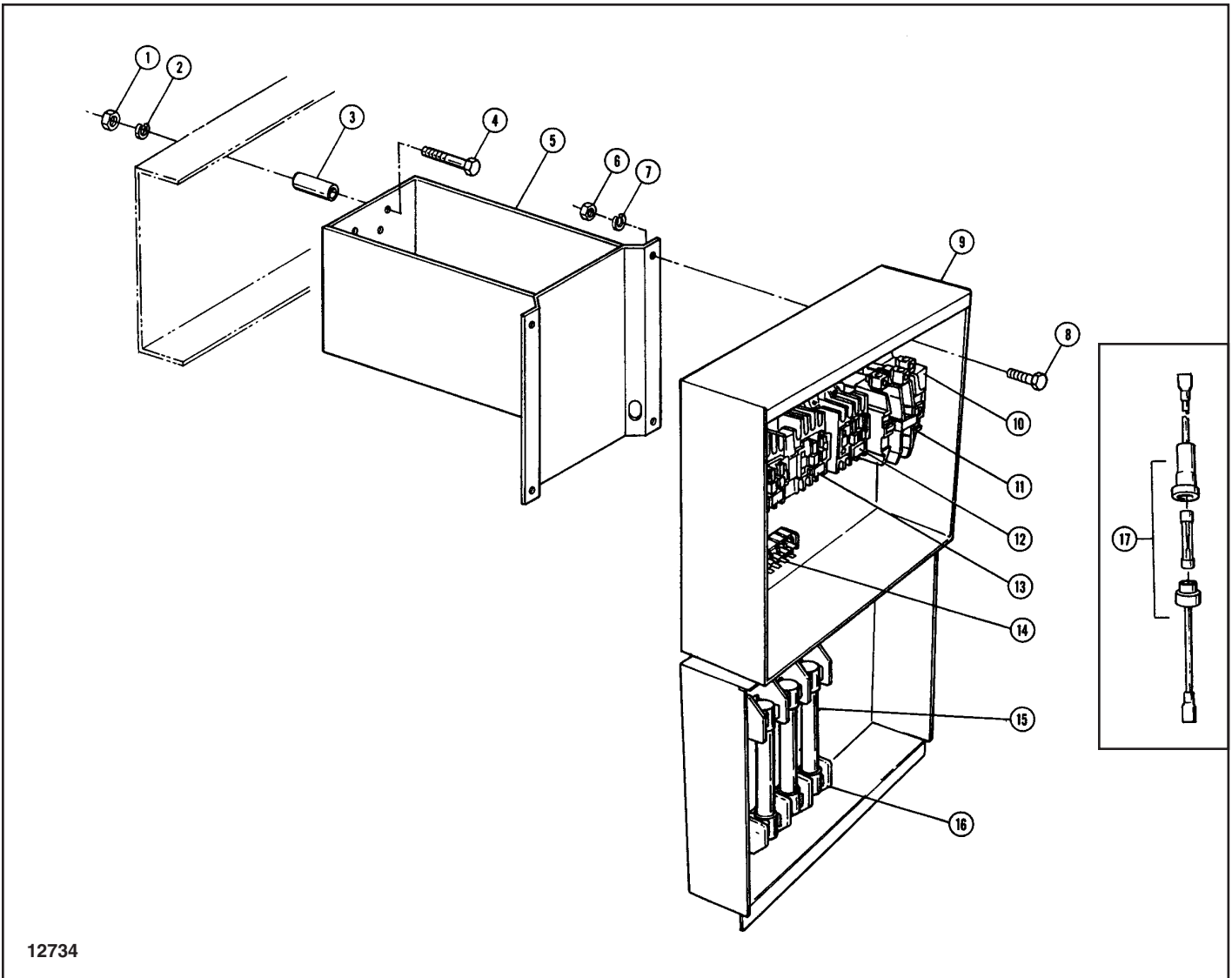
---



12733B

Figure 12. Gear Reducer. Catalog Numbers 905376 thru 905378) and motor (Catalog Numbers 905363, 905381, 905382 and 905394 thru 905396).

| Ref. No. | Part Number | Description  | Qty. Req'd |
|----------|-------------|--|------------|
| 1        | BTK-1201    | Key  | 1          |
| 2        | BTK-1202    | Spring Lock Washer (5/16)                            | 4          |
| 3        | BTK-1203    | Hex Socket Head Self-Locking Cap Screw (5/16-18 x 1) | 4          |
| 4        | BTK-1204    | Grooved Pin (Type A 5/16 x 5/8 Pltd.)                | 1          |
| 5        | BTK-1205    | Support Plate  | 1          |
| 6        |             | Motor  |            |
|          |             | Single Speed   | 1          |
|          | BTK-1241    | 115/230V - 1 Phase - 60 Hz                           |            |
|          | BTK-1238    | 200-230/460V - 3 Phase - 60 Hz                       |            |
|          | BTK-1239    | 575V - 3 Phase - 60 Hz                               |            |
|          |             | Two Speed  |            |
|          | BTK-1242    | 208/230V - 3 Phase - 60 Hz                           |            |
|          | BTK-1243    | 460V - 3 Phase - 60 Hz                               |            |
|          | BTK-1244    | 575V - 3 Phase - 60 Hz                               |            |
| 7        | BTK-1237    | Key  | 1          |
| 8        | BTK-1240    | Spring Lock Washer (3/8)                             | 4          |
| 9        | BTK-1245    | Hex Head Bolt (3/8-16 x 1)                           | 4          |
| 10       |             | Gear Reducer   | 1          |
|          | BTK-1207    | 10:1 Gear Ratio                                      |            |
|          | BTK-1208    | 15:1 Gear Ratio                                      |            |
|          | BTK-1209    | 20:1 Gear Ratio                                      |            |



12734

Figure 13. Electrical Enclosure and Mounting. Catalog Numbers 905385 thru 905387.

| Ref. No. | Part Number | Description  | Qty. Req'd |
|----------|-------------|--|------------|
| 1        | BTK-1301    | Hex Nut (5/16-18)  | 4          |
| 2        | BTK-1302    | Spring Lock Washer (5/16)                                    | 4          |
| 3        | BTK-1303    | Spacer   | 4          |
| 4        | BTK-1304    | Hex Head Bolt (5/16-18 x 1-3/4)                              | 4          |
| 5        | BTK-1305    | Enclosure Mounting Bracket                                   | 1          |
| 6        | BTK-1306    | Hex Nut (1/4-20)   | 4          |
| 7        | BTK-1307    | Spring Lock Washer (1/4)                                     | 4          |
| 8        | BTK-1308    | Cross Recess Round Head Machine Screw (Type 11 1/4-20 x 3/4) | 4          |
| 9        | BTK-1309    | Electrical Enclosure   | 1          |
| 10       |             | Transformer  | 1          |
|          | BTK-1310    | 208/24V or 230/24V   |            |
|          | BTK-1311    | 460/24V  |            |
|          | BTK-1312    | 575/24V  |            |
|          | BTK-1313    | 208/115V or 230/115V   |            |
|          | BTK-1314    | 460/115V   |            |
|          | BTK-1315    | 575/115V   |            |
| 11       |             | Mainline Contactor   | 1          |
|          | BTK-1316    | 24V Control  |            |
|          | BTK-1317    | 115V Control   |            |









## Recommended Spare Parts for Your Crane Kit

Certain parts of your crane will, in time, require replacement under normal wear conditions. It is suggested that the following parts be purchased for your crane as spares for future use.

- 1 Set of Wheels
- 1 Set of Wheel Bearings
- 1 Set of Fuses (If Required)

**Note: When ordering parts always furnish Model Number of crane kit.**

Parts for your crane are available from your authorized repair station.  
For the location of your nearest repair station, write:

### IN USA

#### **Yale•Lift-Tech**

P.O. Box 769  
Muskegon, MI 49443-0769

Phone: **800 742-9269**  
Fax: **800 742-9270**

#### **Columbus McKinnon Corporation**

140 John James Audubon Parkway  
Amherst, NY 14228

Phone: **800 888-0985**  
Fax: **716 689-5644**

#### **Coffing Hoists**

P.O. Box 779  
Wadesboro, NC 28170

Phone: **800 477-5003**  
Fax: **800 374-6853**

### IN CANADA

#### **Columbus McKinnon Limited**

P.O. Box 1106  
Cobourg, Ontario K9A 4W5

Phone: **800 263-1997**  
Fax: **800 603-0011**

# WARRANTY

## WARRANTY AND LIMITATION OF REMEDY AND LIABILITY

A. Seller warrants that its products and parts, when shipped, and its work (including installation, construction and start-up), when performed, will meet applicable specifications, will be of good quality and will be free from defects in material and workmanship. All claims for defective products or parts under this warranty must be made in writing immediately upon discovery and in any event, within one (1) year from shipment of the applicable item unless Seller specifically assumes installation, construction or start-up responsibility. All claims for defective products or parts when Seller specifically assumes installation, construction or start-up responsibility and all claims for defective work must be made in writing immediately upon discovery and in any event, within one (1) year from completion of the applicable work by Seller, provided; however, all claims for defective products and parts made in writing no later than eighteen (18) months after shipment. Defective items must be held for Seller's inspection and returned to the original f.o.b. point upon request. THE 'FOREGOING IS EXPRESSLY IN LIEU OF ALL OTHER WARRANTIES WHATSOEVER, EXPRESS, IMPLIED AND STATUTORY, INCLUDING, WITHOUT LIMITATION, THE IMPLIED WARRANTIES OF MERCHANTABILITY AND FITNESS.

B. Upon Buyer's submission of a claim as provided above and its substantiation, Seller shall at its option either (i) repair or replace its product, part or work at either the original f.o.b. point of delivery or at Seller's authorized service station nearest Buyer or (ii) refund an equitable portion of the purchase price.

C. This warranty is contingent upon Buyer's proper maintenance and care of Seller's products, and does not extend to normal wear and tear. Seller reserves the right to void warranty in event of Buyer's use of inappropriate materials in the course of repair or maintenance, or if Seller's products have been dismantled prior to submission to Seller for warranty inspection.

D. The foregoing is Seller's only obligation and Buyer's exclusive remedy for breach of warranty and is Buyer's exclusive remedy hereunder by way of breach of contract, tort, strict liability or otherwise. In no event shall Buyer be entitled to or Seller liable for incidental or consequential damages. Any action for breach of this agreement must be commenced within one (1) year after the cause of action has accrued.

**COLUMBUS MCKINNON CORPORATION**