



## WARNING

Failure to properly install the load chain between chain guide rollers and liftwheel may cause the chain to lift out of the liftwheel pockets and allow the load to drop.

### TO AVOID INJURY:

Feed load chain between liftwheel and chain guide, as shown in Figures 8 & 9.

### RECOMMENDED SPARE PARTS

To insure continued operation, it is recommended that two friction washers (Key No. 637-12) for each CM Series 637 Lever Hoist in service, be kept on hand at all times to replace friction washers that are worn, contaminated or glazed. See Page 10 for ordering information.

### PREVENTATIVE MAINTENANCE

In addition to the inspection procedures, a preventative maintenance program should be established to prolong the useful life of the hoist and maintain its dependability and

continued safe use. The program should include the periodic inspections with particular attention being paid to the lubrication of various components using the recommended lubricants.

### TESTING

Prior to initial use, all altered or repaired hoists or used hoists that have not been operated for the previous 12 months shall be tested by the user for proper operation.

Test the unit first in the unloaded state and then with a light load of 100 pounds(45Kg.) times the number of load supporting parts of load chain to be sure it operates properly and the brake holds the load when the lever is released; then test with a load of 125% of rated capacity.

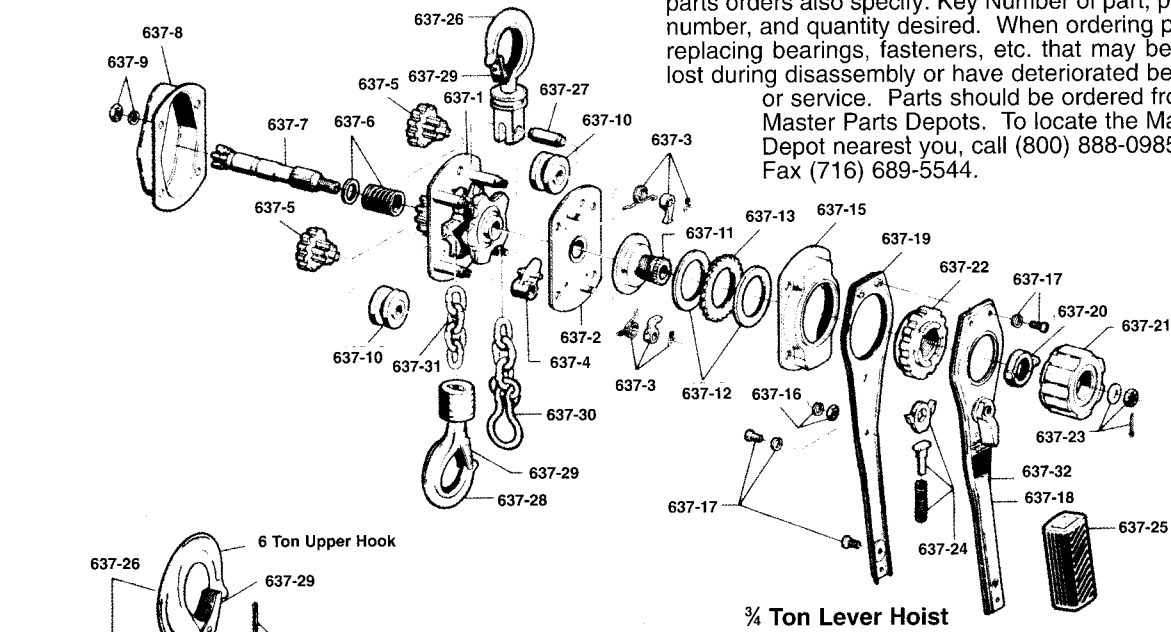
In addition, hoists in which load sustaining parts have been replaced must be tested with 125% of rated capacity by or under the direction of a designated person and a written report prepared for record purposes.

**NOTE: For additional information on inspection and testing refer to ASME B30.21 "Manually Lever Operated Hoists" obtainable from ASME Order Department, 22 Law Drive, Box 2300, Fairfield, NJ 07007-2300, U.S.A.**

## 3/4, 1-1/2, 3 and 6 Ton Series 637 Lever Hoist Parts List

Key No.	No. Req'd	Part Name	Part Number			
			3/4 Ton	1-1/2 Ton	3 Ton	6 Ton
637-1	1	Side Plate Assembly (Gear Side). Includes 3 Bushings, 4 Studs, Liftwheel and Liftwheel Gear.	37760C	37733C	37794C	37794C
637-2	1	Side Plate Assembly (Brake Side). Includes Bushing and Pawl Studs on 3/4 Ton Unit. Includes Bearing Race and 2 Pawl Assemblies on 1-1/2, 3 and 6 Ton Units.	37761C	37734C	37795C	37795C
637-3	2	Pawl with Spring and Retainer Ring	37762C	-	-	-
637-4	1	Stripper	37763C	37735C	37796C	37796C
637-5	1	Gear Set (Includes 2 Gears)	37764C	37736C	37797C	37797C
637-6	1	Spring with Seat	37765C	37737C	37798C	37798C
637-7	1	Pinion Shaft	37711C	37738C	37799C	37799C
637-8	1	Gear Cover	37712C	37739C	37800C	37800C
637-9	1	Gear Cover Hardware Set. Includes 4 Nuts and 4 Lockwashers.	37713C	37740C	37801C	37801C
637-10	2	Chain Guide Roller	37714C	37741C	37802C	37802C
637-11	1	Friction Hub	37715C	37742C	37803C	37803C
637-12	2	Friction Disc	37716C	37743C	22869	22869
637-13	1	Ratchet	37717C	37744C	37805C	37805C
637-15	1	Brake Cover for 3/4 Ton Unit or Lever Ratchet Hub, Brake Cover and Lever Rear Half Assembled for 1-1/2, 3 and 6 Ton Units.	37718C	37745C	37806C	37806C
637-16	1	Brake Cover Hardware Kit, Includes 4 Nuts and 4 Lockwashers.	37719C	37746C	37807C	37807C
637-17	1	Lever Hardware Kit. Includes 4 Screws and 3 Lockwashers for the 3/4 Ton Unit. Includes 2 Screws, 2 Nuts and 4 Lockwashers for the 1-1/2, 3 and 6 Ton Units.	37720C	37747C	37747C	37747C
637-18	1	Lever Assembly, Front Half includes Directional Lever	37721C	37748C	37748C	37748C
637-19	1	Lever Assembly, Rear Half	37722C	-	-	-
637-20	1	Cam Guide	37723C	37749C	37749C	37749C
637-21	1	Free Chaining Knob	37724C	37750C	37750C	37750C
637-22	1	Lever Ratchet Hub	37725C	-	-	-
637-23	1	Brake Nut, Washer and Cotter Pin	37726C	37751C	37751C	37751C
637-24	1	Ratchet Hub Pawl Kit. Includes Pawl, Spring and Shaft.	37727C	37752C	37752C	37752C
637-25	1	Lever Grip	37728C	37753C	37753C	37753C
637-26	1	Upper Hook Assembly. Includes Hook, Latch, Bearing Balls, Set Screw, Retainer Spring and Hook Block for 3/4, 1-1/2 and 3 Ton Units. Includes Hook, Latch, Hanger, Dead End Bolt, Nut and Cotter Pin for 6 Ton Unit.	37729C	37754C	37815C	37820C
637-27	1	Upper Hook Pin	37730C	37755C	37816C	37816C
637-28	1	Lower Hook Assembly. Includes Hook, Latch, Bearing Balls, Set Screw, 2 Retainer Springs, Chain Pin and Hook Block for 3/4, 1-1/2 and 3 Ton Units. Includes Hook, Latch, Bearing Balls, Set Screw, 4 Retaining Rings, Sheave, Rollers, Sheave Shaft and Hook Block for 6 Ton Unit.	37731C	37756C	37817C	37821C
637-29	2	Hook Latch Kit	37732C	37757C	37818C	37822C
637-30	1	Load Chain End Ring	40471	40471	37823	37823
637-31	1	Load Chain, Specify Length Required.	85959	85961	85960	85960
637-32	1	Capacity/Warning Label	37701C	37702C	37782C	37783C
637-33	1	Bearing Kit. Includes 37 Rollers and Inner Ring for 1-1/2 Ton Unit. Includes 24 Rollers and Inner Ring for 3 and 6 Ton Units.	-	37758C	37819C	37819C

**ORDERING INFORMATION:** When corresponding or ordering repair parts always provide: 1) Hoist Capacity and 2) Serial Number (Stamped on Capacity/Warning Label.) For parts orders also specify: Key Number of part, part name and number, and quantity desired. When ordering parts consider replacing bearings, fasteners, etc. that may be damaged or lost during disassembly or have deteriorated because of age or service. Parts should be ordered from CM's Master Parts Depots. To locate the Master Parts Depot nearest you, call (800) 888-0985 or Fax (716) 689-5544.

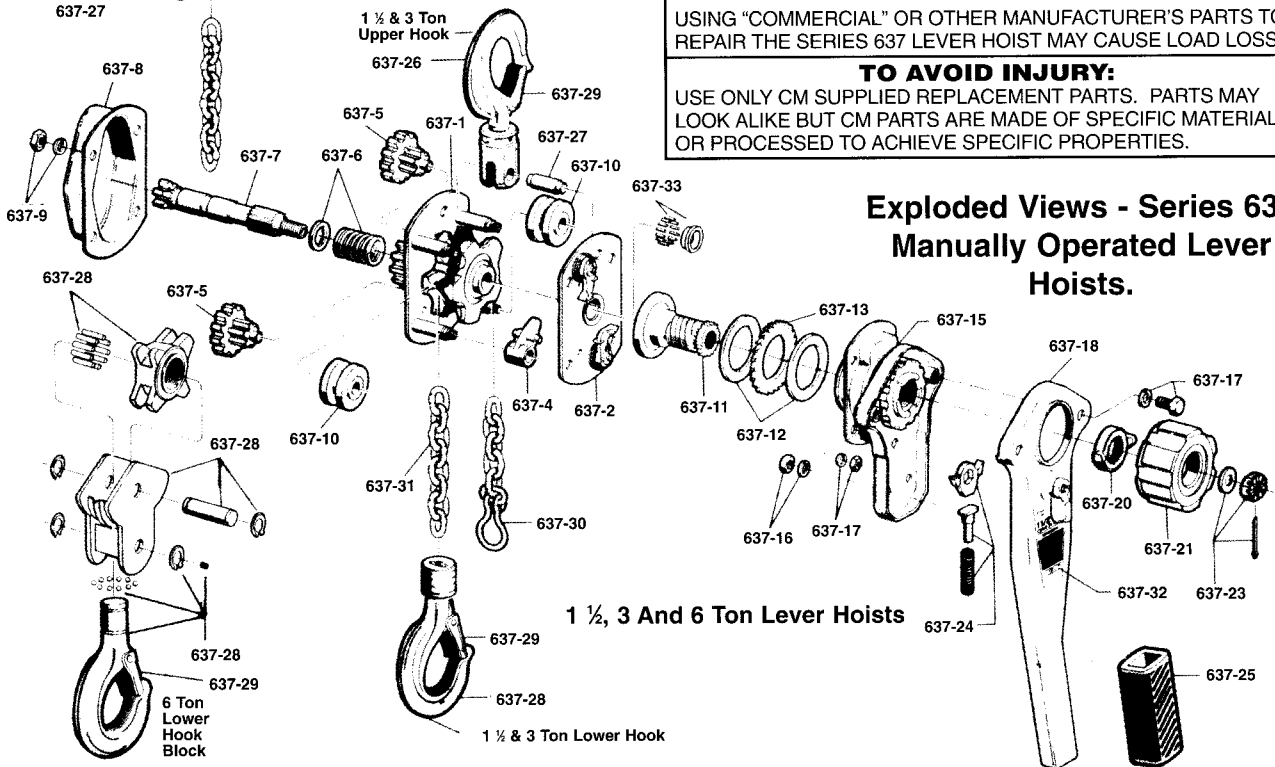


**! WARNING**

USING "COMMERCIAL" OR OTHER MANUFACTURER'S PARTS TO REPAIR THE SERIES 637 LEVER HOIST MAY CAUSE LOAD LOSS.

**TO AVOID INJURY:**

USE ONLY CM SUPPLIED REPLACEMENT PARTS. PARTS MAY LOOK ALIKE BUT CM PARTS ARE MADE OF SPECIFIC MATERIALS OR PROCESSED TO ACHIEVE SPECIFIC PROPERTIES.



**Exploded Views - Series 637  
Manually Operated Lever  
Hoists.**

<b>PART NUMBERS FOR PACKAGED LUBRICANTS Used in the CM Series 637 Lever Hoist (Refer to page 6 for Lubrication Instructions)</b>		
Lubricant Usage	Type of Lubricant	Part Numbers and Packaged Quantities of Lubricants
Gears, Rollers of Liftwheel and Gear Bearings	Grease (Molykote BR-2-S or Equal)	28606 - 1/2 lb. (.23Kg.) can 28618 - 1 lb. (.46Kg.) can
Pawl Stud	Oil (WD-40 or Equal)	Obtain locally—not stocked by CM
Load Chain	Oil (Lubriplate Bar and Chain Oil 10-R or Equal)	28608 - 1 pint (.5L) can 28619 - 1 gal.(3.8L) can