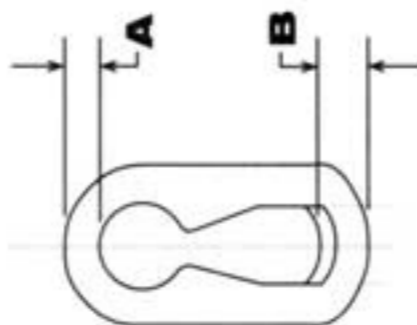


INSPECTION

Periodic inspection of the trolley should be conducted at the same time the hoist (or other appliance) is inspected. As a minimum, a monthly inspection of the suspension plate, trackwheels and equalizer pin nuts should be carried out.

Measure the depth of the section at the upper and lower portions of the suspension plate. If either is less than that indicated below, the suspension plate must be replaced.

Suspension Plate

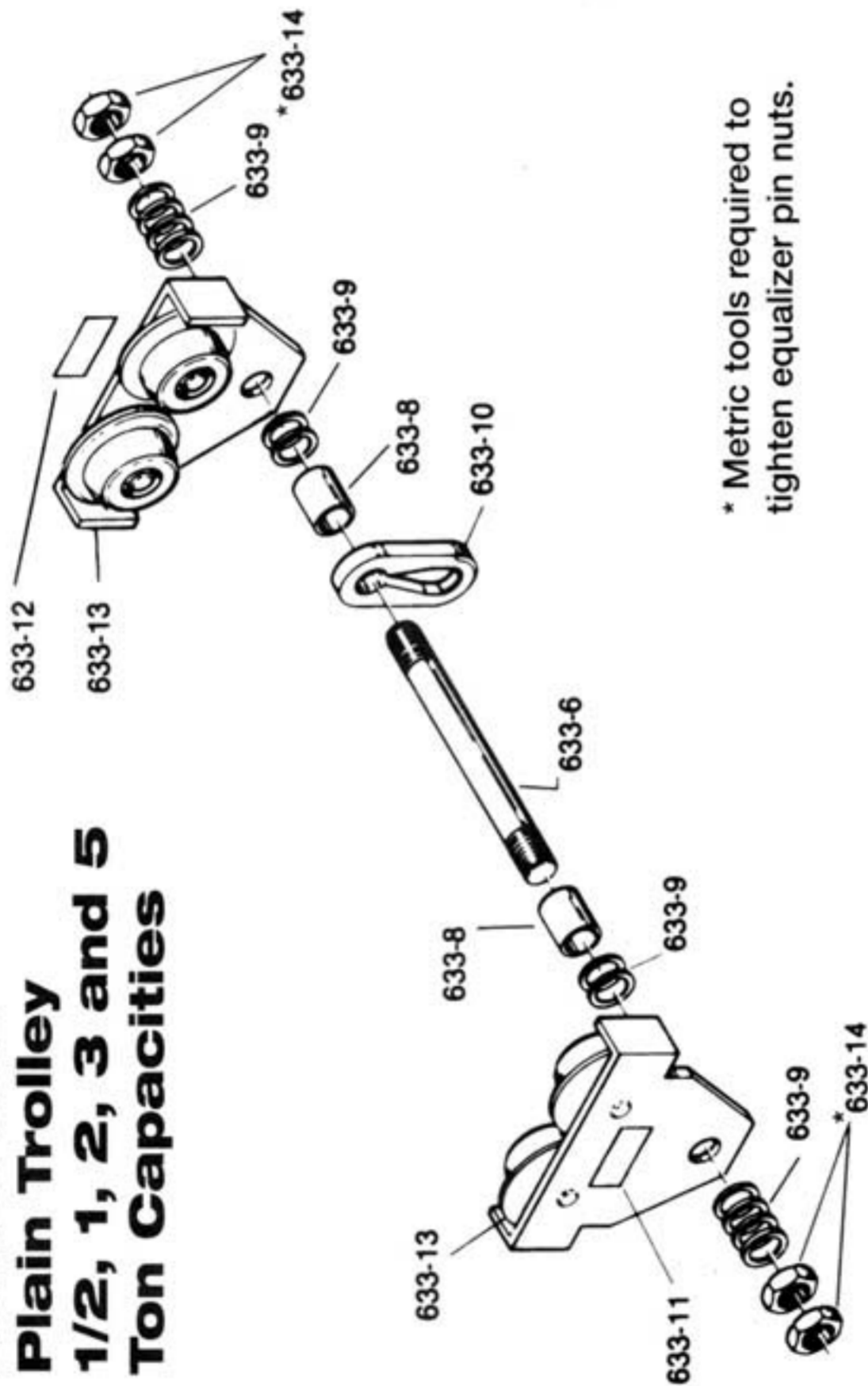


Rated Load Tons (kg.)	Replace Suspension Plate If A or B are less than:	
	A	B
1/2 (500)	In. (mm) .43 (11.0)	In. (mm) .55 (14)
1 (1000)	.47 (11.9)	.54 (13.9)
2 (2000)	.59 (15.1)	.74 (18.9)
3 (3000)	.93 (23.6)	1.25 (31.9)
5 (5000)	1.27 (32.2)	1.24 (31.5)

Side frame assemblies should be replaced if the trackwheels are loose on the stud, have indications of cracks on tread or flange or if there is excess wear on tread or flange.

Check equalizer pin nuts for tightness and make sure they are firmly tightened against each other.

Series 633 Plain Trolley 1/2, 1, 2, 3 and 5 Ton Capacities



* Metric tools required to tighten equalizer pin nuts.

REPLACEMENT PARTS

ORDERING INSTRUCTIONS

The following information must accompany all correspondence or repair parts orders.

- 1) Capacity of trolley from nameplate
- 2) Serial number of trolley-2 letters stamped on the identification plate.

For parts orders also specify:

- 1) Quantity desired
- 2) Key number or part
- 3) Part name
- 4) Part number

Parts should be ordered from CM's authorized Master Parts Depot conveniently located throughout the United States and Canada. Refer to the back of this instruction sheet to locate the Master Parts Depot nearest you.

Series 633 Trolley Parts List

Key No.	No. Req'd.	Part Name	Part Number				
			1/2 Ton (500 kg.)	1 Ton (1000 kg.)	2 Ton (2000 kg.)	3 Ton (3000 kg.)	5 Ton (5000 kg.)
633-6	1	Equalizer Pin	33777	33746	33753	33760	33767
633-8	2	Equalizer Pin Spacer	33741	33748	33755	33762	33769
633-9	—	Spacer Washer	33742 (47 Req'd.)	33749 (51 Req'd.)	33756 (41 Req'd.)	33763 (37 Req'd.)	33770 (35 Req'd.)
633-10	1	Suspension Plate	33743	33750	33757	33764	33771
633-11	1	Identification Label	33720	33721	33722	33723	33724
633-12	1	Warning Label	33779	33779	33779	33779	33779
633-13	2	Side Frame Assembly (Includes Trackwheels)	33744	33751	33758	33765	33772
633-14	4	Equalizer Pin Nut	33778	33747	33754	33761	33768

WARNING

Using "commercial" or other manufacturer's parts to repair the Series 633 Trolley may cause load loss.

TO AVOID INJURY:

Order all replacement parts from CM. Some parts may look alike but often CM parts are made of specific materials or processed to achieve specific properties.