

| | | | | | | | | | | | | | | | | | | | |
|-----------------|---------|----------------------------|---------|---------|---------|--------|--------|---------|-------|-------|---------|---------------------------------|--------|---------|-------|-------|---------|---------|--------|
| CAPACITY (TONS) | INCHES | 2-1/2 | 2-21/32 | 2-23/32 | 2-15/16 | 3-1/16 | 3-7/32 | 3-11/32 | 3-1/2 | 3-5/8 | 3-29/32 | 4-3/32 | 4-7/32 | 4-11/32 | 4-1/2 | 4-5/8 | 4-25/32 | 4-15/16 | 5-1/32 |
| | M.M. | 64 | 67 | 69 | 75 | 78 | 82 | 85 | 89 | 92 | 99 | 104 | 107 | 110 | 114 | 117 | 121 | 125 | 128 |
| | | ← USE LOWER BAR PIN HOLE → | | | | | | | | | | ← USE UPPER LOAD BAR PIN HOLE → | | | | | | | |
| 1/4, 1/2 and 1 | SIDE #1 | A | A | B | B | C | C | D | D | E | A | A | B | B | C | C | D | D | E |
| | SIDE #2 | A | B | B | C | C | D | D | E | E | A | B | B | C | C | D | D | E | E |

NOTE: Beam flange widths larger than those listed in these charts require special load bar (contact CM).

1/2 and 2 ton trolleys are supplied, respectively, with loose 1/4 and 1-1/2 ton capacity labels for those applications where lower capacity trolleys must be used. For such applications, remove the capacity label from the trolley side frame and replace it with the capacity label packed loose with the trolley.

| | | | | | | | | | | | | | | | | | | | | |
|-----------------|---------|----------------------------|---------|-------|-------|-----|-------|--------|---------|--------|---------|---------------------------------|--------|--------|---------|---------|---------|---------|---------|--|
| CAPACITY (TONS) | INCHES | 3-1/2 | 3-19/32 | 3-3/4 | 3-7/8 | 4 | 4-1/8 | 4-9/32 | 4-13/32 | 4-9/16 | 4-13/16 | 4-15/16 | 5-3/32 | 5-7/32 | 5-13/32 | 5-17/32 | 5-11/16 | 5-13/16 | 5-15/16 | |
| | M.M. | 89 | 91 | 95 | 98 | 102 | 105 | 109 | 112 | 116 | 122 | 125 | 129 | 133 | 137 | 140 | 144 | 148 | 151 | |
| | | ← USE LOWER BAR PIN HOLE → | | | | | | | | | | ← USE UPPER LOAD BAR PIN HOLE → | | | | | | | | |
| 1-1/2 and 2 | SIDE #1 | A | A | B | B | C | C | D | D | E | A | A | B | B | C | C | D | D | E | |
| | SIDE #2 | A | B | B | C | C | D | D | E | E | A | B | B | C | C | D | D | E | E | |

| | | | | | | | | | | | | | | | | | | |
|-----------------|--------------------|----------------------------|--------|--------|---------|-------|---------|---------|---------|---------------------------------|---------|---------|---------|---------|---------|-------|--------|--------|
| CAPACITY (TONS) | BEAM FLANGE WIDTHS | | | | | | | | | | | | | | | | | |
| | INCHES | 3-29/32 | 4-1/16 | 4-3/16 | 4-11/32 | 4-1/2 | 4-21/32 | 4-25/32 | 4-29/32 | 5-1/4 | 5-13/32 | 5-17/32 | 5-11/16 | 5-27/32 | 5-31/32 | 6-1/8 | 6-9/32 | 6-7/16 |
| | M.M. | 99 | 103 | 106 | 110 | 114 | 118 | 121 | 124 | 133 | 137 | 140 | 144 | 148 | 152 | 156 | 160 | 163 |
| | | ← USE LOWER BAR PIN HOLE → | | | | | | | | ← USE UPPER LOAD BAR PIN HOLE → | | | | | | | | |
| 3 | SIDE #1 | A | B | B | C | C | D | D | E | A | A | B | B | C | C | D | D | E |
| | SIDE #2 | B | B | C | C | D | D | E | E | A | B | B | C | C | D | D | E | E |

OPERATION

1. Observe trolley load capacity. Do not overload.
2. Place load directly under trolley. Avoid off-center and side loading of any kind.
3. Read the instructions contained on this sheet as well as ANSI B30.11 and the manual provided with the hoist or other appliance used with this trolley.

INSPECTION

Periodic trolley inspection should be carried out coincident with hoist (or other appliance) inspection. As a minimum, a monthly visual inspection of the load bar and trackwheels should be carried out. The load bar should be replaced when the observed wear exceeds 15% of the original stock dimension. Wheels should be removed from service when there is any visual indication of fracture at transition of flange and tread sections.

⚠ WARNING

TROLLEY MAY FALL FROM BEAM IF IMPROPERLY OPERATED.

TO AVOID INJURY:

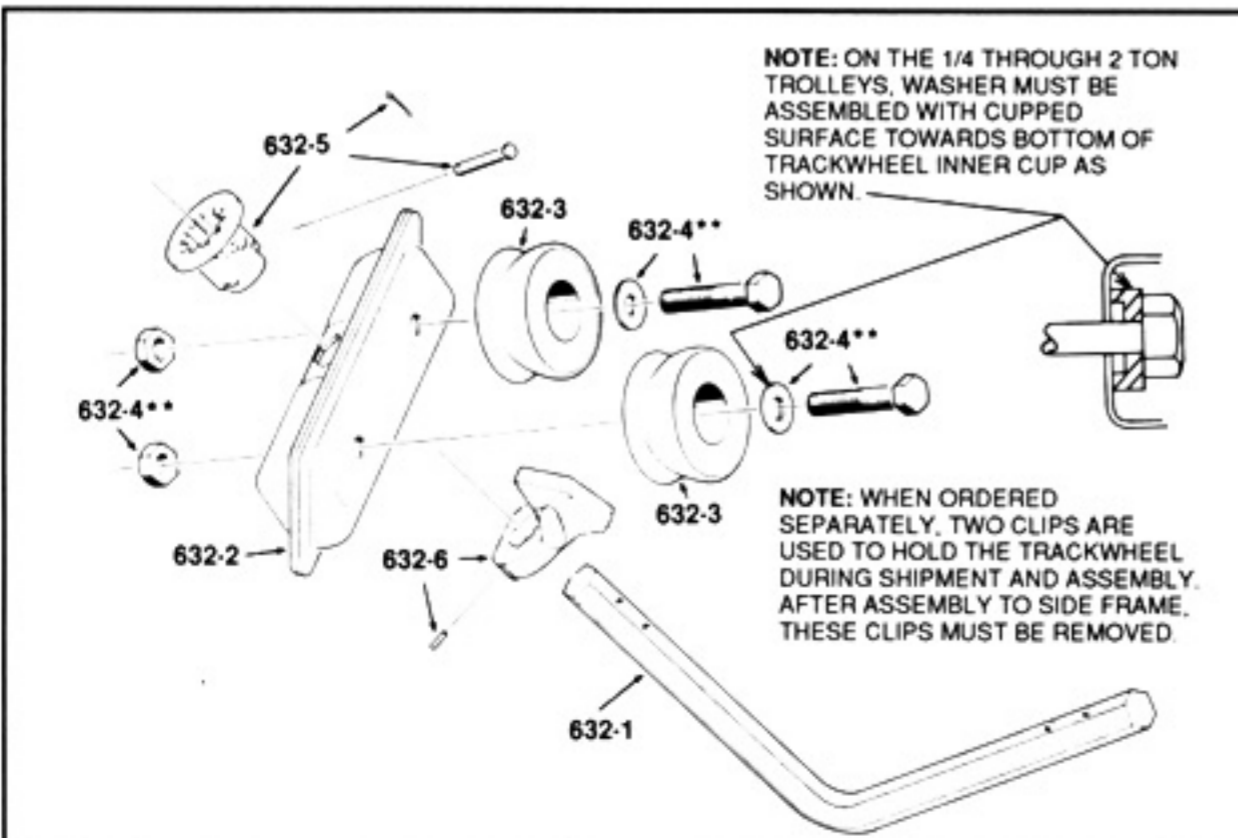
- DO NOT OVERLOAD
- DO NOT SIDE LOAD

When ordering repair parts, specify the following:

1. Trolley capacity.
2. Key number and part number of the part required.
3. Part name.
4. Quantity required.
5. Beam size.

SERIES 632 TROLLEY PARTS LIST

| KEY NO. | PART NUMBER | | | | PART NAME | NO. REQ'D |
|---------|---------------|-------|---------------|-------|--|-----------|
| | 1/4 & 1/2 Ton | 1 Ton | 1-1/2 & 2 Ton | 3 Ton | | |
| 632-1 | 32123 | 32124 | 32125 | 32671 | Load Bar | 1 |
| 632-2 | 32603 | 32604 | 32605 | 32672 | Side frame assembly | 2 |
| 632-3 | 32655 | 32655 | 32656 | 32673 | Trackwheel assembly | 4 |
| 632-4 | 32657 | 32658 | 32659 | 32674 | Trackwheel screw with washer and nut | 4 |
| 632-5 | 32660 | 32661 | 32682 | 32682 | Adjusting collar with clevis pin & cotter pin | 2 |
| 632-6 | 3227 | 3228 | 3229 | — | Guard with set screw (optional) | 1 |
| 632-7 | 32664 | 32665 | 32667 | 32675 | Label kit (all labels for trolley) - not shown | 1 |



**** IMPORTANT:** To avoid damage in use, threads on track wheel screw must not bear on side frame or track wheel, therefore, track wheel screw and nut must be assembled as shown with washer and head of screw inside track wheel.

