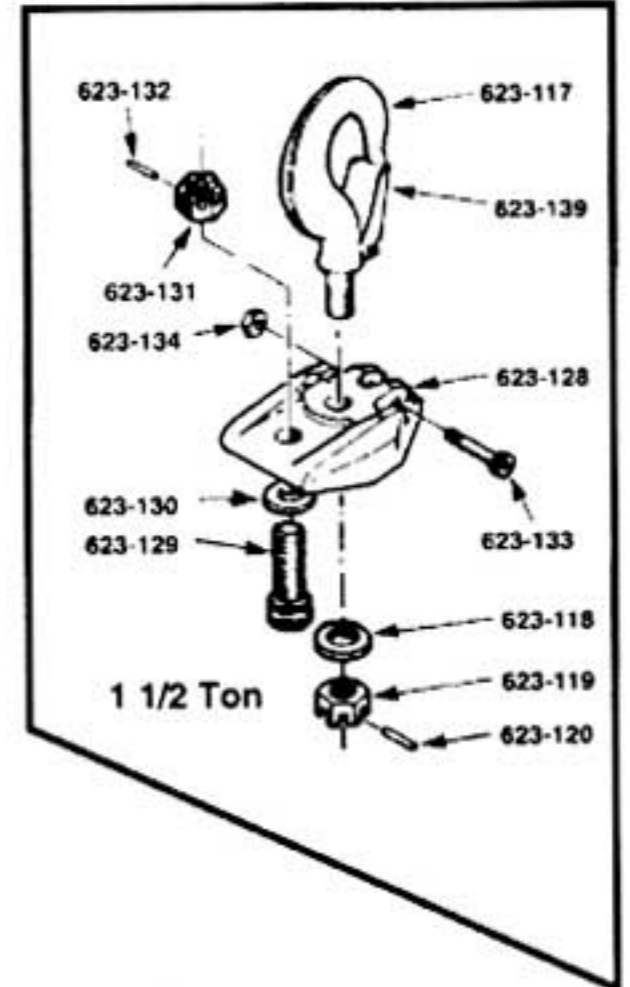
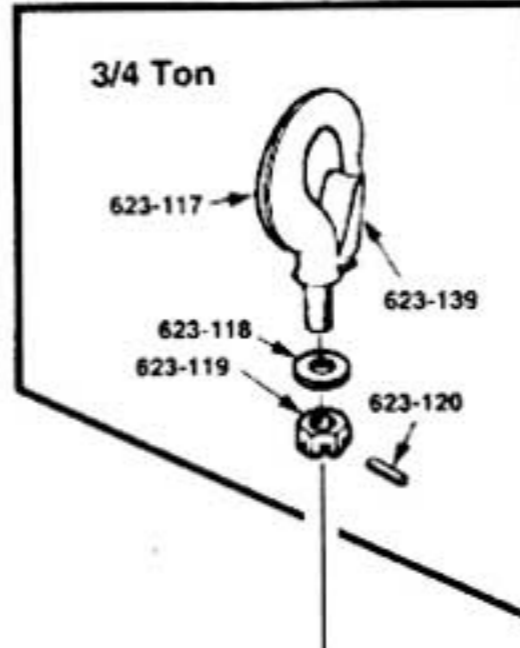
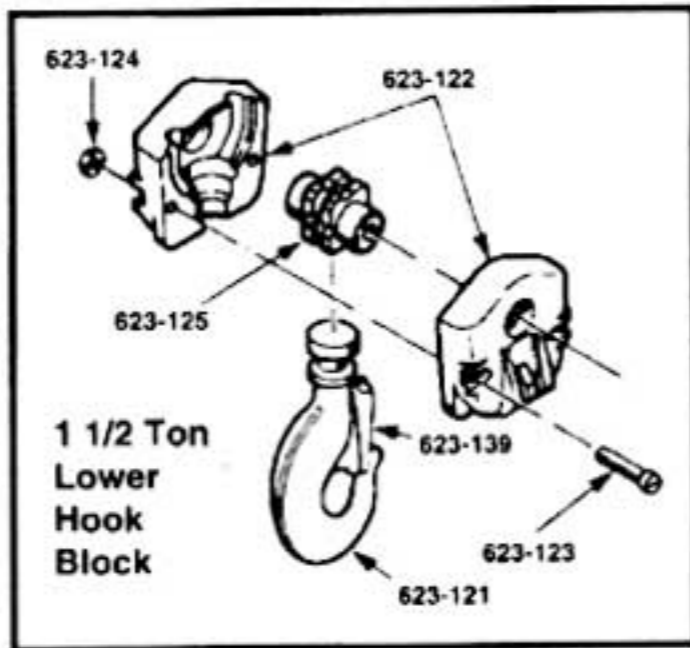
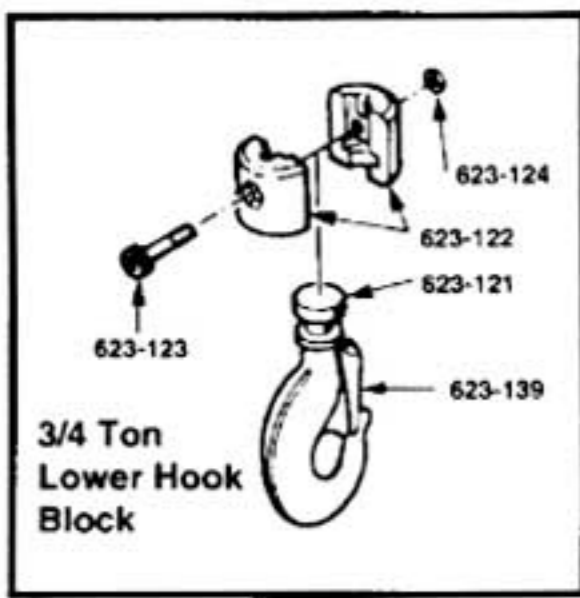


Figure 7. Exploded View 3/4-1 1/2 ton CM Rigger



ORDERING INFORMATION

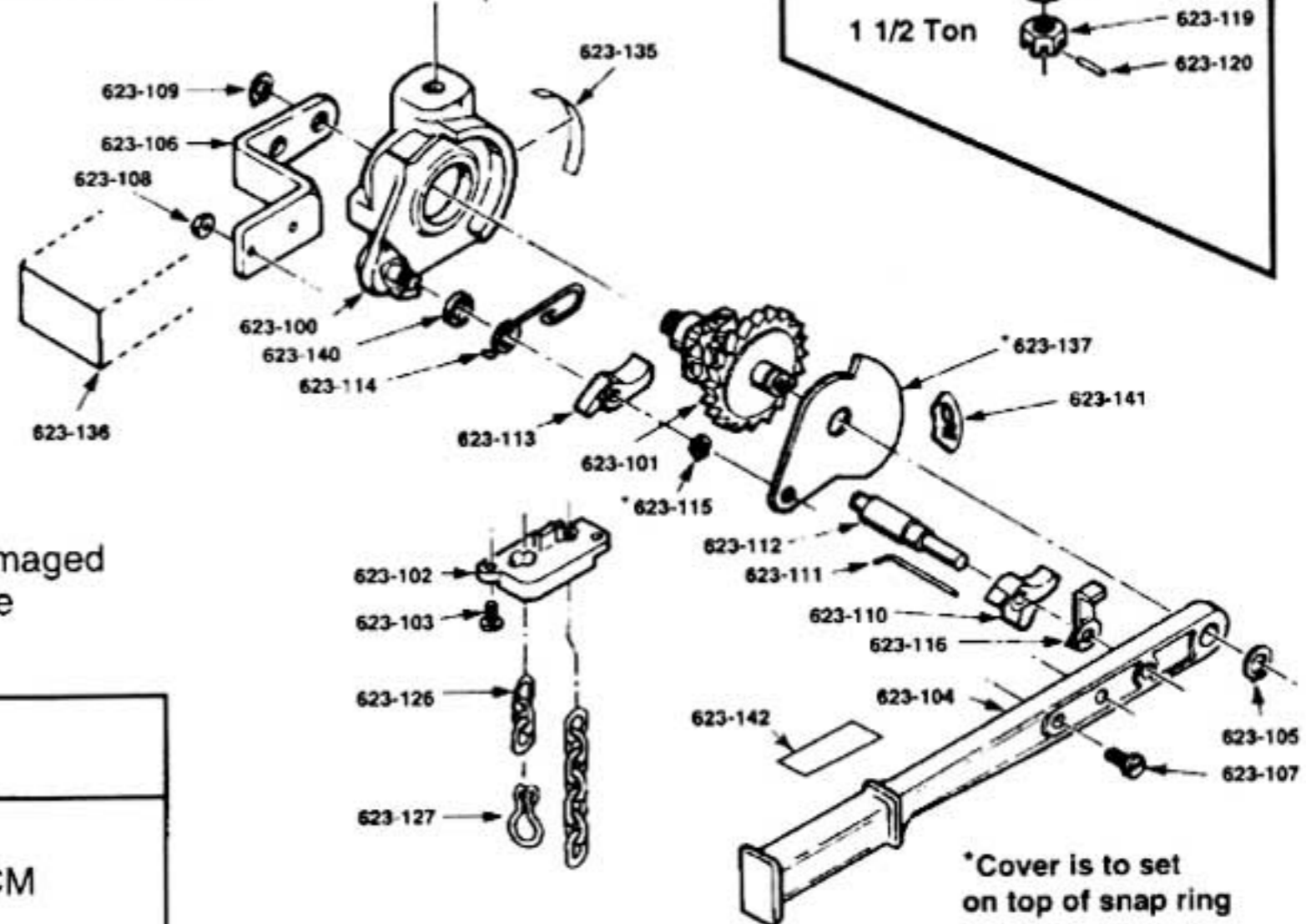
The following information must accompany all correspondence or repair parts orders.

1. Tool capacity
2. Serial Number—stamped on the tool frame

For parts orders also specify:

1. Quantity desired
2. Key number of Part
3. Part Name
4. Part Number

When ordering replacement parts, consideration should be given to the need to replace other items, (springs, fasteners, etc.) and items that may be damaged or lost during disassembly or just unfit for future use because of deterioration from age or service.



*Cover is to set on top of snap ring

WARNING

USING "COMMERCIAL" OR OTHER MANUFACTURER'S PARTS TO REPAIR THE CM RIGGER MAY CAUSE LOAD LOSS.

TO AVOID INJURY:

USE ONLY CM SUPPLIED REPLACEMENT PARTS. PARTS MAY LOOK ALIKE BUT CM PARTS ARE MADE OF SPECIFIC MATERIALS OR PROCESSED TO ACHIEVE SPECIFIC PROPERTIES.

CM RIGGER PARTS LIST

KEY NUMBER	NO. REQ'D.	PART NAME	PART NUMBER	
			3/4 Ton	1-1/2 Ton
623-100	1	Frame	23602	
623-101	1	Liftwheel	23023	
623-102	1	Clover Leaf Chain Guide	23705	
623-103	2	Chain Guide Attaching Screw	982599	
623-104	1	Handle	23701	
623-105	1	Handle Snap Ring	82680	
623-106	1	Handle Support	23003	
623-107	2	Support Screw	983593	
623-108	2	Support Screw Nut	982646	
623-109	1	Support Snap Ring	45767	
623-110	1	Driving Pawl	23720	
623-111	1	Driving Pawl Spring	23704	
623-112	1	Driving Pawl Shaft	23354	
623-113	1	Holding Pawl (with Pivot for Spring)	23663	
623-114	1	Holding Pawl Spring	23734	
623-115	1	Holding Pawl Snap Ring	82679	
623-116	1	Directional Lever	23703	
623-117	1	Upper Hook with Latch	23625	23627
623-118	1	Upper Hook Washer	23706	923714
623-119	1	Upper Hook Nut	988165	982526
623-120	1	Upper Hook Pin	989371	983768
623-121	1	Lower Hook with Latch	40602	23626
623-122	2	Lower Hook Block	23028	23717
623-123	1	Hook Block Screw (Special)	23708	

KEY NUMBER	NO. REQ'D.	PART NAME	PART NUMBER	
			3/4 Ton	1-1/2 Ton
623-123	2	Hook Block Screw		987395
623-124	1	Hook Block Screw Nut	982515	
623-124	2	Hook Block Screw Nut		982646
623-125	1	Lower Sheave Wheel		23349
623-126	1	Load Chain (Specify Length Req'd.)	85843	
623-127	1	End Ring	23730	
623-128	1	Hanger		23716
623-129	1	Hanger Screw		23718
623-130	1	Hanger Screw Washer		23706
623-131	1	Hanger Screw Nut		988165
623-132	1	Hanger Screw Pin		989371
623-133	1	Dead End Screw (Special)		23708
623-134	1	Dead End Screw Nut		982515
623-135	1	*Capacity Label - Frame	923950	923951
623-136	1	Capacity Label - Handle Support	923961	923962
623-137	1	Cover	23732	
623-139	2	Latch Kit	45661	
623-141	1	Cover Label	923737	
623-142	1	Caution Label	23739	

*For export units, part numbers for the frame capacity labels are 923954 for 700 Kg. unit and 923955 for 1400 Kg. unit.

The Following Parts Were Used On Discontinued Units

KEY NUMBER	NO. REQ'D.	PART NAME	PART NUMBER	
			3/4 Ton	1-1/2 Ton
623-113	1	Holding Pawl (with hole for spring)	23014	
623-114	1	Holding Pawl Spring (both ends bent 1/2")	23015	
623-138	1	Liftwheel Spacer (see note below)	923733	
623-140	1	Pawl Spacer	23356	

Note: Refer to instruction sheet IF-5407; Spacer 923733 used only on units without liftwheel cover that contain liftwheel 23023 (623-101).