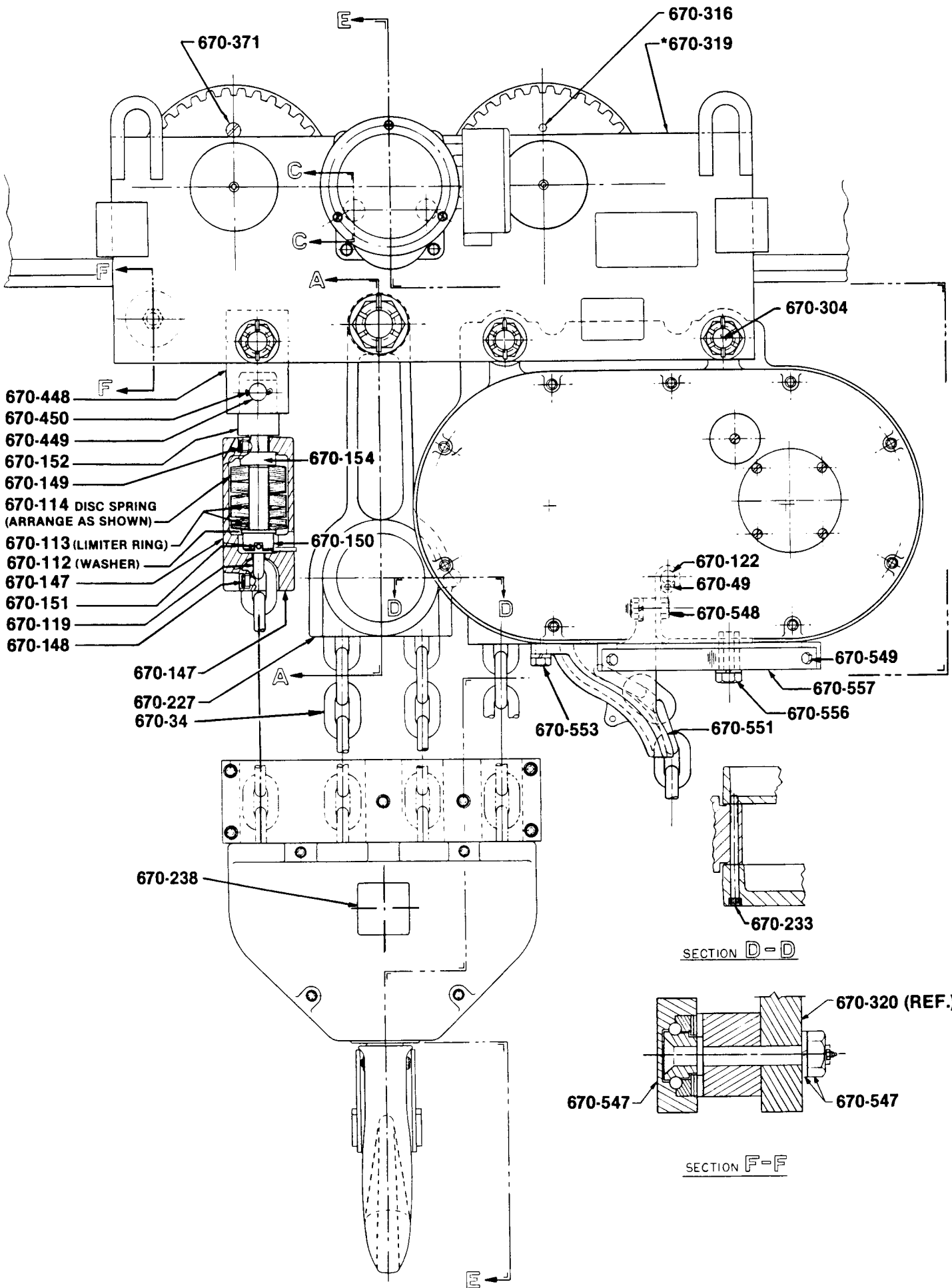
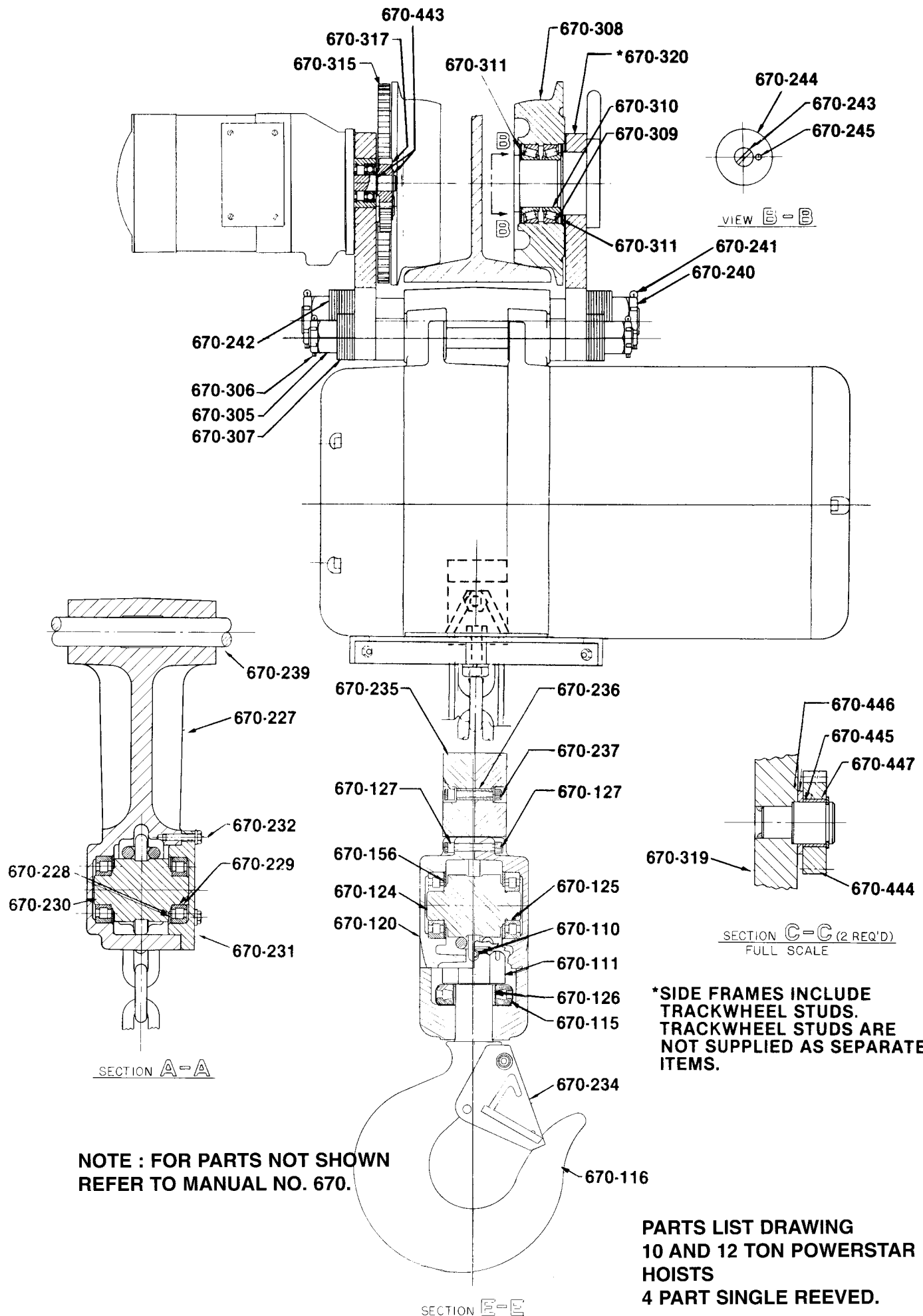


**NOTE : FOR PARTS NOT SHOWN
REFER TO MANUAL NO. 670.**

***SIDE FRAMES INCLUDE
TRACKWHEEL STUDS.
TRACKWHEEL STUDS ARE
NOT SUPPLIED AS SEPARATE
ITEMS.**

**PARTS LIST DRAWING
7 1/2 , 9 AND 10 TON POWERSTAR
HOISTS
3 PART SINGLE REEVED.**





**NOTE : FOR PARTS NOT SHOWN
REFER TO MANUAL NO. 670.**

***SIDE FRAMES INCLUDE
TRACKWHEEL STUDS.
TRACKWHEEL STUDS ARE
NOT SUPPLIED AS SEPARATE
ITEMS.**

**PARTS LIST DRAWING
10 AND 12 TON POWERSTAR
HOISTS
4 PART SINGLE REEVED.**

*PART LIST		
Key No.	Part Name	No. Req'd
670-124	Hook block sheave (1 req'd on 3 part reeved, 2 req'd on 4-part reeved)	-
670-125	Hook block sheave bearing (2 req'd on 3-part reeved, 4 req'd on 4 part reeved)	-
670-127	Hook Block screw and nut	4
670-156	Bearing Shield (2 req'd on 3 part reeved; 4 req'd on 4-part reeved)	-
670-227	Idler wheel hanger	1
670-228	Bearing shield (idler wheel hanger)	2
670-229	Bearing (idler wheel hanger)	2
670-230	Sheave (idler wheel hanger)	1
670-231	Bearing cap (idler wheel hanger)	1
670-232	Bearing cap screw with lockwasher	3
670-233	Hanger attaching screw	1
670-234	Latch kit	1
670-235	Snubber block	2
670-236	Snubber block spacer	6
670-237	Snubber block hardware kit	6
670-238	Hook block capacity insert	2
670-239	Suspension bolt (Idler wheel hanger)	1
670-240	Suspension bolt nut (Idler wheel hanger)	2
670-241	Suspension bolt cotter pin (Idler wheel hanger)	2
670-242	Spacer Washer (specify no. req'd)	-
670-243	Trackwheel clamp screw	4
670-244	Trackwheel clamp screw washer	4
670-245	Trackwheel clamp screw washer pin	4
670-371	Trackwheel screw	4
670-443	Trackwheel pinion shaft snap ring	2
670-444	Idler pinion	2
670-445	Idler bushing	2
670-446	Thrust bushing	2
670-447	Idler pinion retaining ring	2
670-448	Dead end hanger assembly	1
670-449	Dead end pin	1
670-450	Dead end pin cotter pin	2
670-547	Anti-tipping wheel with nut and lockwasher	1
670-548	Chute mounting screw, lockwasher and nut	1
670-549	Chain container screw, washers, lockwasher and nut	4
670-556	Bracket mounting screw, washer and lockwashers	1
670-557	Bracket	1

*For parts not listed, see Manual Number 670.