

HOIST REFERENCE SHEET

J5

REFERENCE

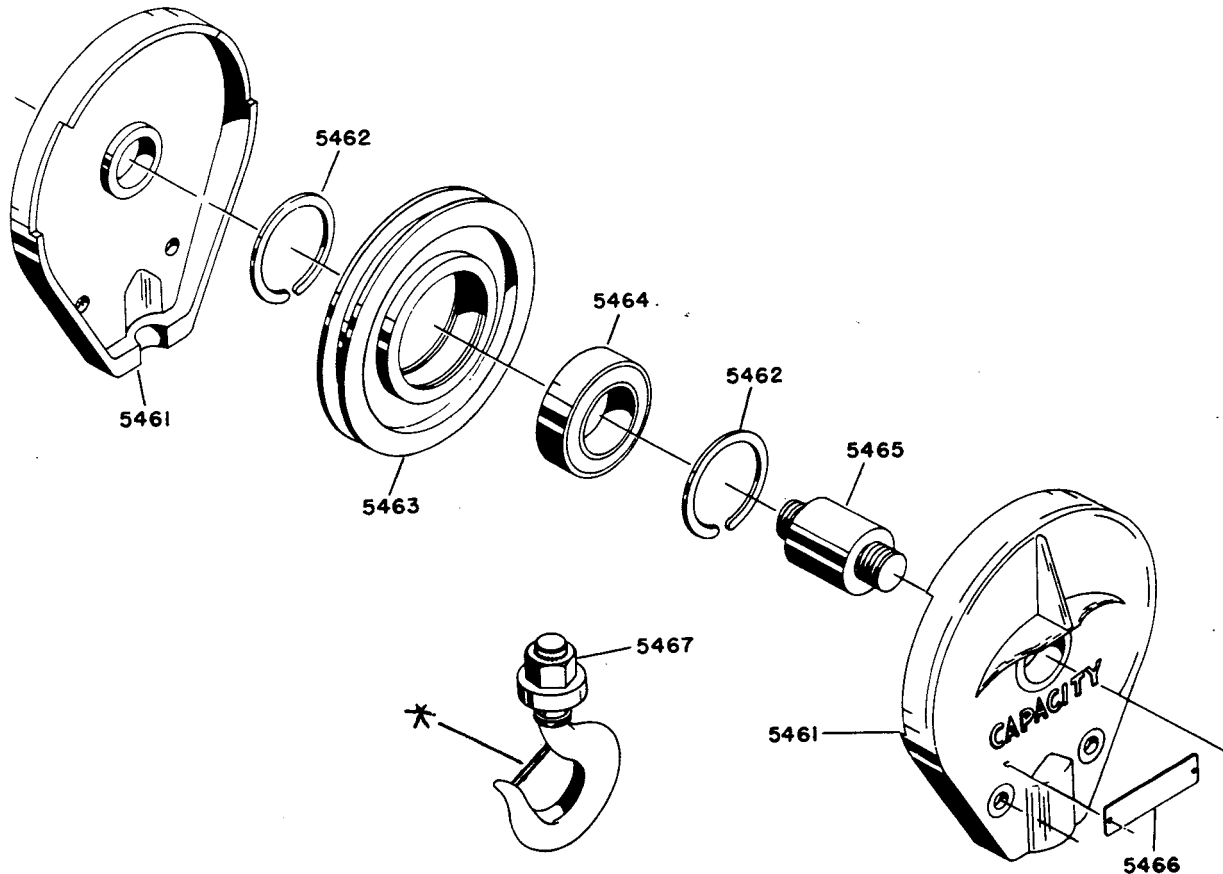
OCTOBER 1980

ITEM NUMBER	BASIC PARTS	SERIES			
		Z	A	B	C
5460-5467	Bottom Block	1-1	1-1	1-1	1-1
5468-5491	Motor & Brake Assy.	5-1			
5492-5529	Hoist Gear Case	3-2	3-2	3-2	3-2
5530-5554	Hoist Frame & Components	4-2	4-2	4-2	4-2
5555-5579	Control Panel	7-2	7-2	7-2	7-2
5580-5584	Pushbutton & Components	BASIC SECTION			
5587-5594	"B" Type Trolley	8-1	8-1	8-1	8-1
	"BG" Type Trolley	8-3	8-3	8-3	8-3
	"M" Type Trolley	8-4	8-4	8-5	8-5
5603-5639	Trolley Drive Motor & parts (Rounded Gear Box)	BASIC SECTION			
5640-5650	Wheel Type Collector	BASIC SECTION			
5951-5967	Hoist Motor & Brake		2-2	2-2	2-2
6660-6676	Trolley Motor Brake	BASIC SECTION			
8001-8022	Trolley Drive Motor & Parts (Rectangular Gear Box)	BASIC SECTION			



BOTTOM BLOCK  
SERIES A, B, C, Z

J3  
1-1  
OCTOBER 1980



ITEM NUMBER	DESCRIPTION	PART NUMBER	QUANTITY
5460	Bottom Block Assy. (Less 5466)	*24-05271-002	1
5461	Sheave Frame	24-04178-008	2
5462	Snap Ring	22-06498-005	2
5463	Sheave	23-05497-010	1
5464	Ball Bearing	6-30-050-305-1	1
5465	Sheave Pin	22-06967-001	1
5466	Capacity Plate - 1 Ton	22-06968-003	2
	Capacity Plate - 2 Ton	22-06968-006	2
5467	Hook Assembly	23-06355-001	1
	Safety Latch	22-09917-005	1

\* Specify correct capacity plates, item 5466, when ordering.

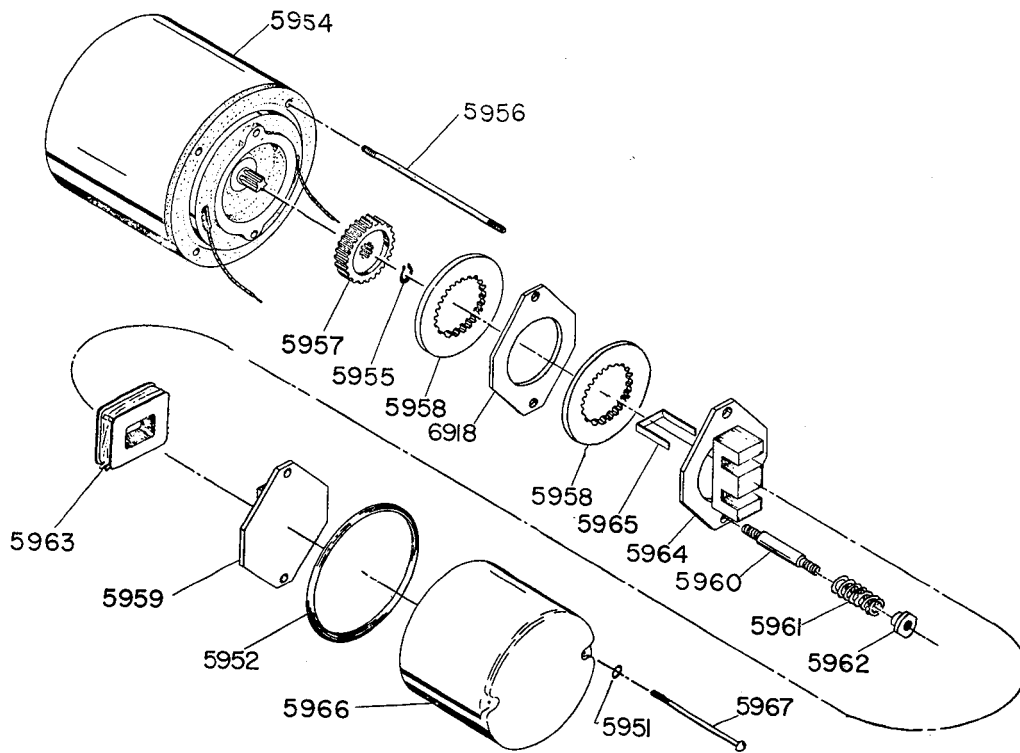
J3

M-4 BRAKE/MOTOR

2-1

SERIES A, B, C

OCTOBER 1980



M-4 BRAKE/MOTOR

J3

SERIES A, B, C

2-2

MAY 1983

ITEM NUMBER	DESCRIPTION	PART NUMBER	QUANTITY
XXXX	All Brake Parts Less Item 5963 Coil	21-03187-016	1
5951	Sealing Washer	22-10495-001	2
5952	"O" Ring	22-09461-001	1
5954	2 HP 230/460V Motor	23-07702-102	1
	2/.7 HP 230 V Motor	23-07702-105	1
	2/.7 HP 460 V Motor	23-07702-106	1
	Coupling (*Not Shown)	23-05935-001	1
5955	Snap Ring	22-06497-005	1
5956	Stud	6-04-009-079-1	1
5957	Brake Hub	22-08000-047	1
5958	Friction Disc	22-07965-002	2
▷ 5959	Armature Plate Assembly	23-06374-001	1
▷ 5960	Stud	23-03645-019	2
5961	Spring	22-03615-007	2
5962	Adjusting Sleeve	22-08470-002	4
▷ 5963	230V Coil For 230/460V Single Speed Motor	22-08269-001	1
	230V Coil For 230V Two Speed Motor	22-08269-001	1
	460V Coil For 460V Two Speed Motor	22-08269-006	1
	575V Coil For 575V Single Speed Motor	22-08269-005	1
▷ 5964	Magnetic Pole Plate Assembly	23-06314-003	1
▷ 5965	Coil Support	22-08471-001	1
5966	Brake Cover	23-06312-001	1
5967	Cover Stud	6-02-053-080-1	2
6918	Intermediate Disc	23-06313-007	1

\*Use this reference number when ordering the complete assembly.

▷ Old style parts may not be available. If unavailable, brake may be serviced by converting to a new style type R4 brake.

230 Volt "M to R" kit  
460 Volt "M to R" kit

27-12041-007  
27-12041-008

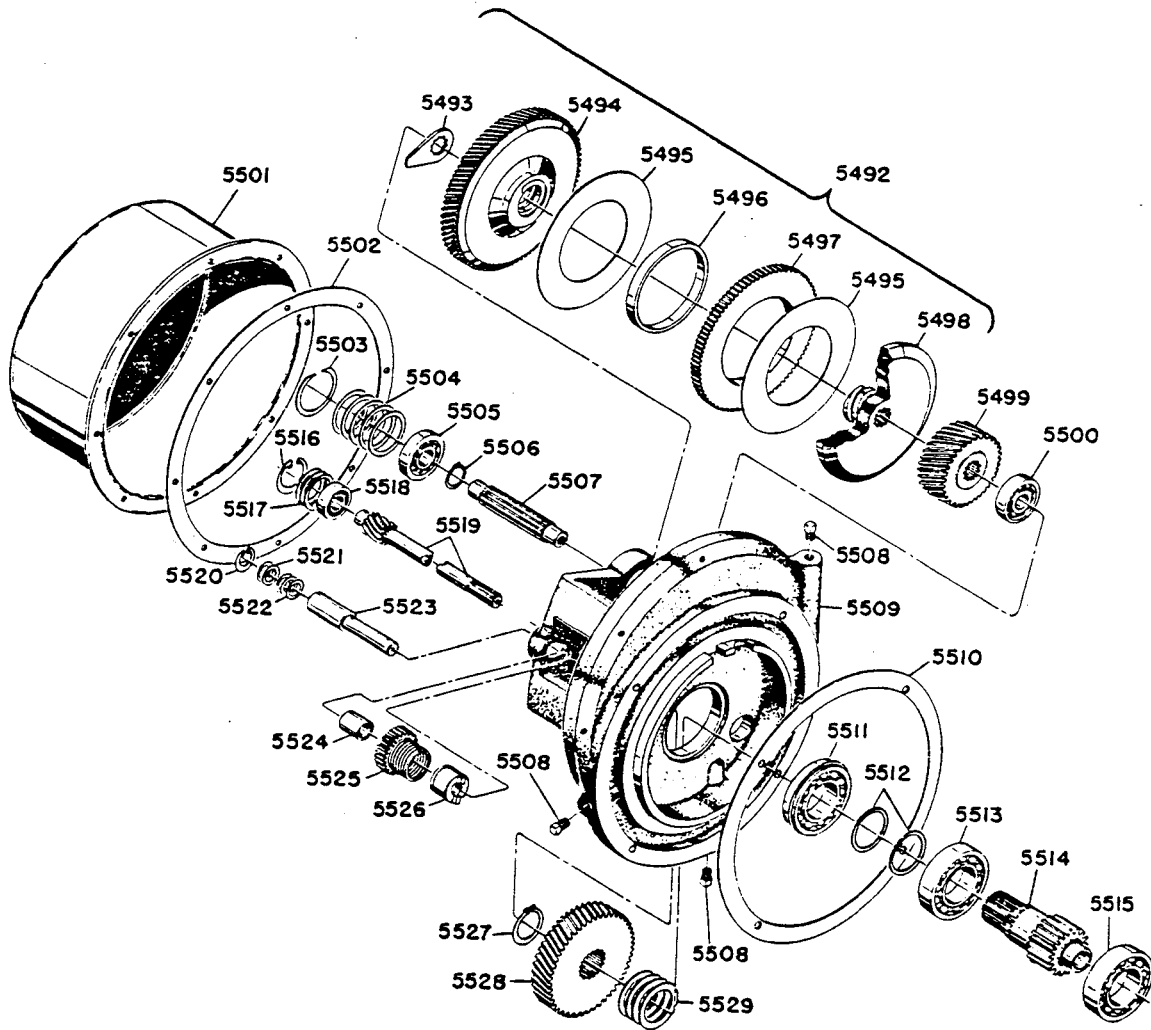
J3

HOIST GEAR CASE

3-1

SERIES A, B, C, Z

OCTOBER 1980



HOIST GEAR CASE  
 SERIES A, B, C, Z

J3

3-2

OCTOBER 1980

ITEM	DESCRIPTION	PART NUMBER	QUANTITY
5492	Load Brake Assembly	23-07333-001	1
5493	Reverse Lever	22-06458-001	1
5494	Motor Gear	24-04478-001	1
5495	Brake Liner	23-05975-001	2
5496	Ratchet Bushing	22-07727-001	1
5497	Ratchet Gear	23-05939-001	1
5498	Thrust Disc	24-04480-001	1
5499	Intermediate Pinion 15FPM	24-04556-003	1
	Intermediate Pinion 30FPM	24-04556-004	1
	Intermediate Pinion 60FPM	24-04556-005	1
5500	Ball Bearing	6-30-041-304-0	1
5501	Gear Cover	24-04643-001	1
5502	Gear Cover Gasket	23-05973-001	1
5503	Snap Ring	22-06498-010	1
5504	Spacer	6-23-020-026-0	10
5505	Ball Bearing	6-30-041-304-1	1
5506	Snap Ring	22-06497-010	1
5507	Load Brake Shaft	23-05934-001	2
5508	Pipe Plug	6-10-012-002-1	
	Vented Pipe Plug	22-04328-002	1
5509	Gear Frame	25-02110-001	1
5510	Internal Gear Gasket	24-04513-001	1
5511	Ball Bearing	6-30-045-208-0	1
5512	Spacer	22-07728-001	2
5513	Ball Bearing	6-30-041-208-0	1
5514	Sun Pinion	24-04482-001	1
5515	Ball Bearing	6-30-020-106-0	1
5516	Snap Ring	22-06498-003	1
5517	Spacer	6-23-020-036-0	6
5518	Ball Bearing	6-30-041-203-1	1
5519	Drive Shaft	23-05940-001	1
5520	Snap Ring	22-06498-001	1
5521	Shim Washer	6-23-021-055-0	5
5522	Shim Washer	6-23-021-055-0	
5523	Clutch Shaft	22-06455-001	1
5524	Spring Clutch Bushing	22-06517-001	1
5525	Pinion	22-08647-002	1
	Spring	22-08648-001	1
5526	Shaft Adapter	22-06487-001	1
5527	Snap Ring	22-06497-004	1
5528	Intermediate Gear 15FPM	24-04481-003	1
	Intermediate Gear 30FPM	24-04481-004	1
	Intermediate Gear 60FPM	24-04481-005	4
5529	Spacer	22-07728-001	4

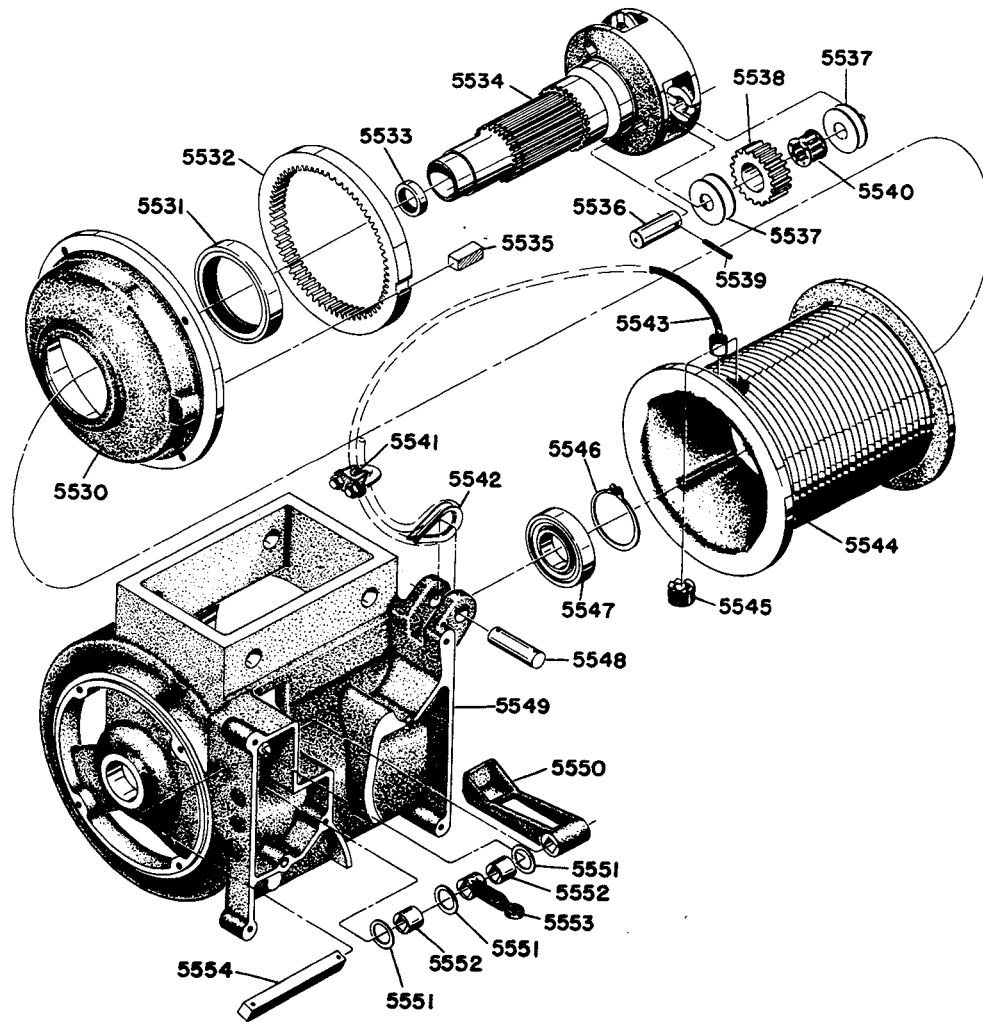
J3

FRAME & COMPONENTS

4-1

SERIES A, B, C, Z

OCTOBER 1980





## FRAME &amp; COMPONENTS

J5

SERIES A, B, C, Z

4-2

OCTOBER 1980

ITEM NUMBER	DESCRIPTION	PART NUMBER	QUANTITY
5530	Internal Gear Cover	23-04451-001	1
5531	Oil Seal	22-07630-001	1
5532	Internal Drum Gear	23-05956-001	1
5533	Oil Seal	22-03016-001	1
5534	Drum Shaft	25-02114-001	1
5535	Key	6-11-028-022-0	1
5536	Pinion Shaft	22-07729-001	3
5537	Spacer	22-07730-001	12
5538	Planet Pinion	23-05938-001	3
5539	Roll Pin	22-07653-001	3
5540	Roller Bearing	6-30-156-012-0	3
5541	Rope Clip	22-00544-001	3
5542	Rope Thimble	22-00546-001	1
5543	Cable	See Basic Section	1
5544	Rope Drum	24-04445-004	1
5545	Pipe Plug	6-10-014-008-1	1
5546	Snap Ring	22-06497-012	1
5547	Ball Bearing	6-30-050-209-1	1
5548	Load Pin	22-01756-001	1
5549	Hoist Main Frame	25-02115-006	1
5550	Lower Limit Lever	23-05901-001	1
5551	Spacer	6-23-030-043-0	12
5552	Limit Paddle Shaft Bushing	22-05466-004	2
5553	Lower Limit Lever	23-05907-001	1
5554	Lower Limit Shaft	22-07733-001	1

J3

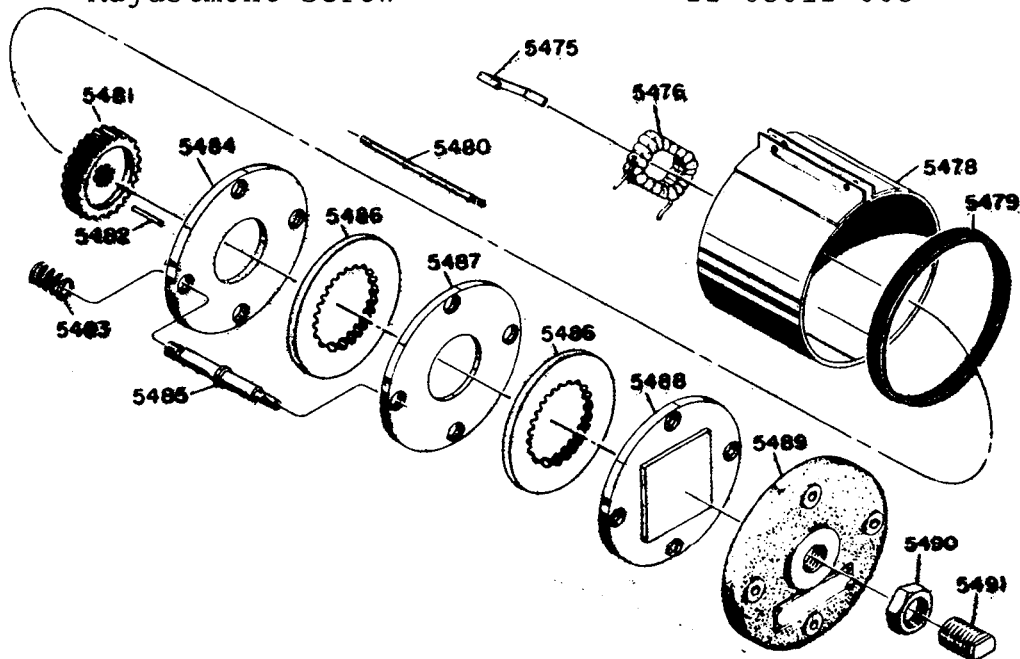
MOTOR/BRAKE ASSEMBLY

5-1

SERIES Z

OCTOBER 1980

ITEM NUMBER	DESCRIPTION	PART NUMBER	QUANTITY
5468	Motor Assembly	All motor parts	
5469	Stator	obsolete-replace	
5470	Ball Bearing	with current motor	
5471	Rotor	and brake assembly	
5472	Ball Bearing	with an adaptor.	
5473	Shim	Consult factory for	
5474	Pole Piece&Motor Head Assy.	part numbers.	
	E-Frame	10-69469-001	4
5475	Coil Support	22-08471-001	4
5476	Coil 230V	16-45241-003	4
	Coil 115V	16-45241-006	4
5477	Gasket	Obsolete	
5478	Brake Cover	23-03660-013	1
5479	Gasket	Obsolete	
5480	Cover Stud	6-04-009-071-1	4
5481	Brake Hub	22-08000-012	1
5483	Brake Spring	22-03615-002	4
5484	Armature Plate Assembly	23-06366-005	1
5485	Brake Stud	23-03645-004	4
5486	Friction Disc	22-07965-001	2
5487	Int. Thrust Disc	23-03648-011	1
5488	Thrust Disc for Adj. Screw	23-06062-001	1
5489	Thrust Disc Cover	Obsolete	
5490	Jam Nut	6-14-008-032-0	1
5491	Adjustment Screw	22-03612-003	1



J3

6-1

OCTOBER 1980

THIS PAGE LEFT BLANK INTENTIONALLY

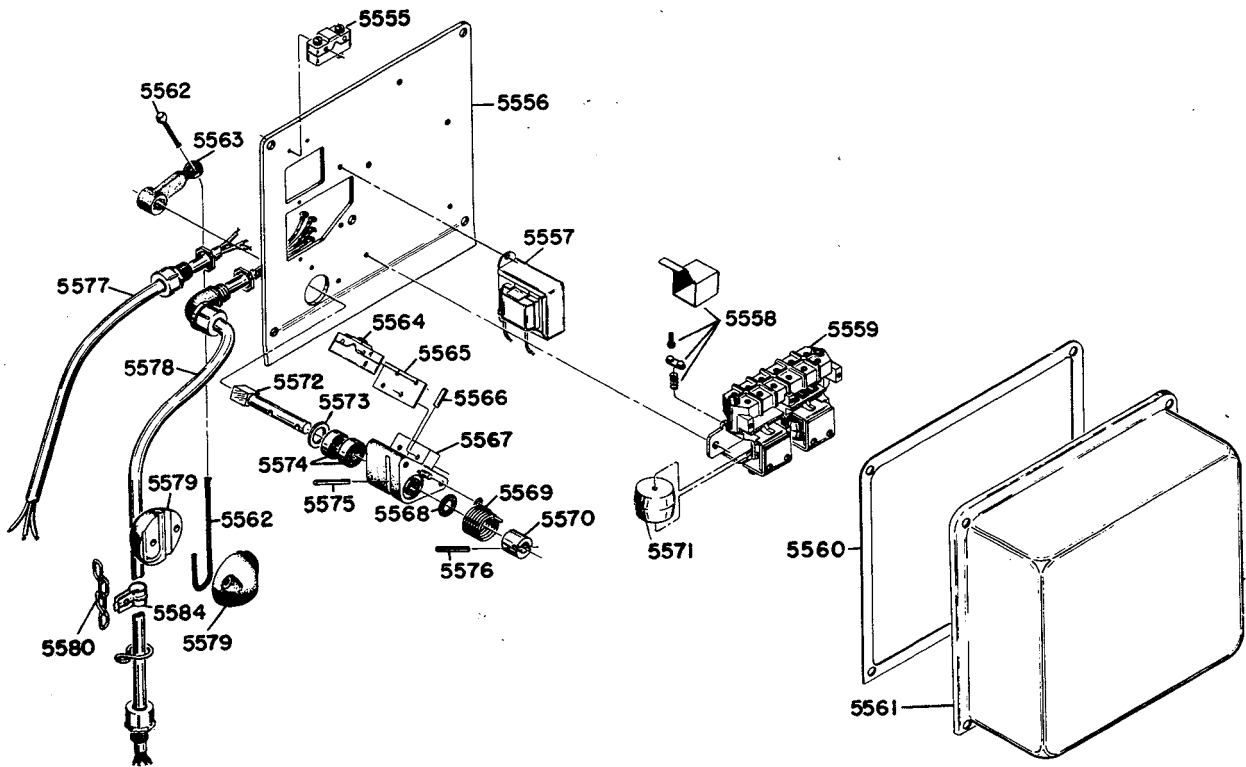
J3

CONTROL PANEL

7-1

SERIES A, B, C, Z

OCTOBER 1980



CONTROL PANEL  
SERIES A, B, C, Z

J3  
7-2  
OCTOBER 1980

ITEM NUMBER	DESCRIPTION	PART NUMBER	QUANTITY
5555	Micro Switch	23-05987-001	1
5556	Control Plate	24-04511-004	1
5557	Transformer 230/460V Pri. 115 Secondary 20 VA	23-07228-007	1
	Transformer 575V Pri. 115 V Secondary 20 VA	23-07228-008	1
	Transformer 230/460V Pri. 24 V Secondary 20 VA	23-07228-003	1
5558	Hoist Controller Contact Kit	22-09509-001	1
5559	Hoist Controller	22-09494-001	1
5560	Cover Gasket	23-05974-001	1
5561	Controller Cover	24-04512-001	1
5562	Limit Cable	22-07853-001	1
5563	Upper Limit Lever	23-05902-001	1
5564	Micro Switch	23-05987-001	2
5565	Bracket Insulator	22-07777-001	2
5566	Limit Switch Plunger	22-07731-001	2
5567	Limit Switch Bracket	23-05896-001	1
5568	Felt Washer	6-23-060-204-0	1
5569	Spring	22-07732-001	1
5570	Upper Limit Spacer	22-07735-001	1
5571	Controller Coil 120 V, 60 CY.	22-09507-001	2
	Controller Coil 24 V, 60 CY.	22-09507-006	2
5572	Upper Limit Shaft	22-07734-001	1
5573	Felt Washer	6-23-060-204-0	1
5574	Ball Bearing	6-30-102-007-0	2
5575	Roll Pin	22-07653-001	1
5576	Roll Pin	22-07653-001	1
5577	Motor Cable	22-08226-002	1
5579	Limit Switch Weight	23-05903-001	1
	Limit Switch Weight	23-05903-002	1

J3

8-1

OCTOBER 1980

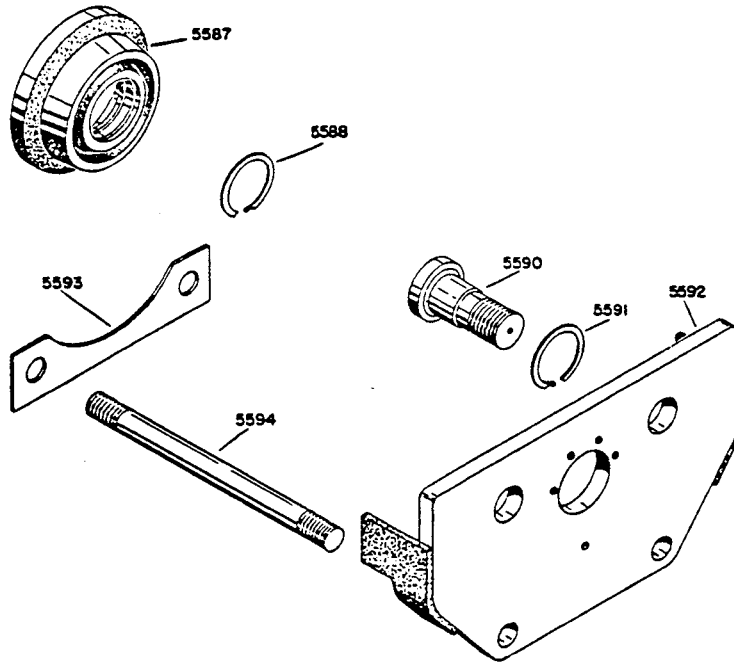
THIS PAGE LEFT BLANK INTENTIONALLY

"B" TYPE TROLLEY  
 SERIES A, B, C, Z

J3

8-1

OCTOBER 1980



SERIES A, Z

ITEM NUMBER	DESCRIPTION	PART NUMBER	QUANTITY
5587	Trolley Wheel	23-05895-001	4
5588	Snap Ring	22-06498-005	4
5590	Wheel Stud	22-09636-001	4
	Ball Bearing	6-30-050-206-0	4
	Snap Ring	22-06497-029	4
5591	Snap Ring	22-06498-005	4
5592	Side Plate Assy.	23-06789-001	2
5593	Spacer Washer	22-07725-001	16
5594	Trolley Stud	22-03337-008	2

SERIES B & C

5587	Trolley Wheel	23-07412-001	4
5588	Snap Ring	22-06498-005	4
5590	Wheel Stud	22-11043-001	4
5591	Snap Ring	22-06498-005	4
5592	Side Plate	24-05738-004	2
5594	Trolley Stud	22-03337-001	2
	Ball Bearing	6-30-042-206-0	4
	Bearing Cap	22-08646-001	4

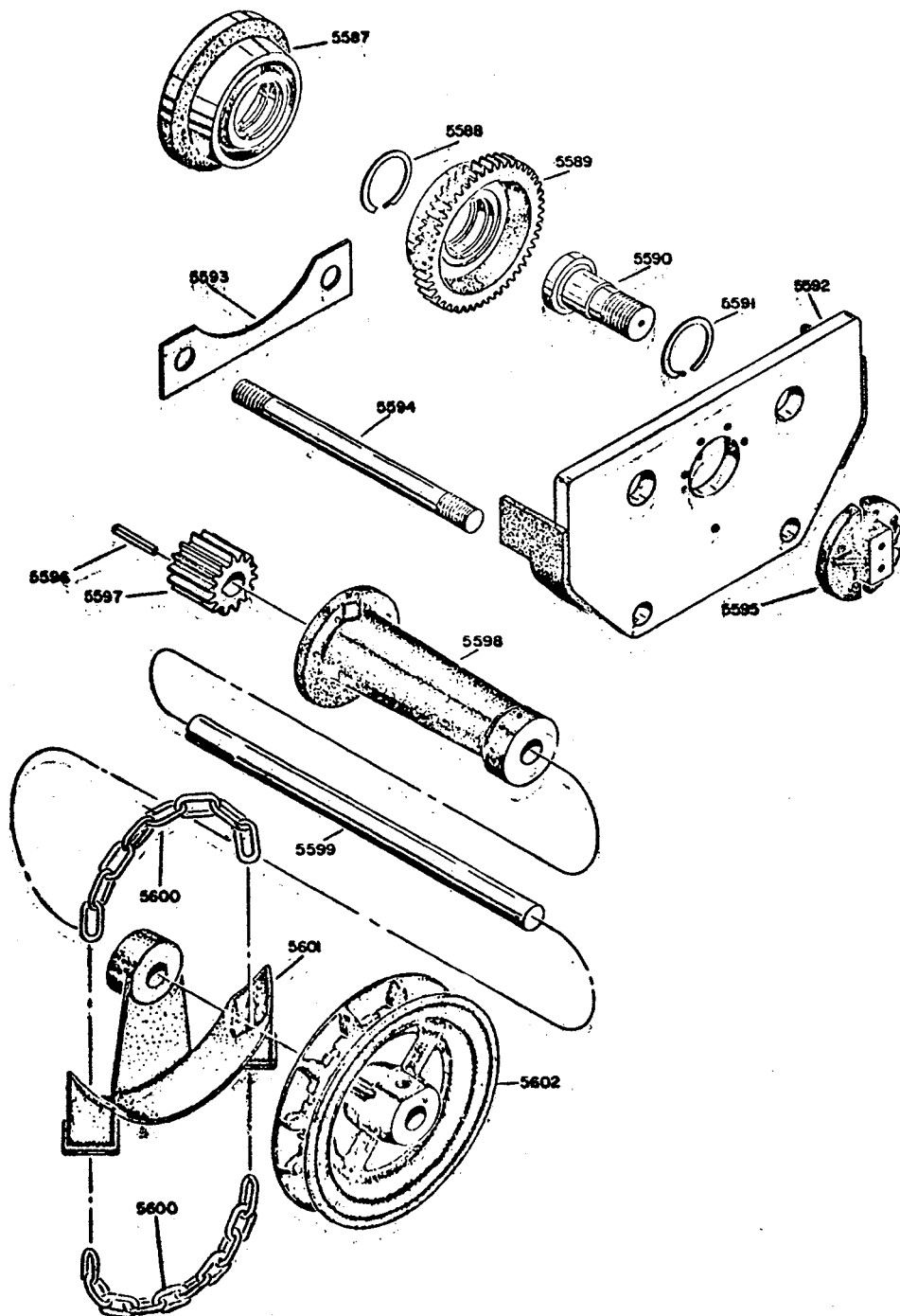
J3

"BG" TYPE TROLLEY

8-2

SERIES A, B, C, Z

OCTOBER 1980





"BG" TYPE TROLLEY  
SERIES A, B, C, Z

J5  
8-3  
OCTOBER 1980

SERIES A

ITEM NUMBER	DESCRIPTION	PART NUMBER	QUANTITY
5587	Idler Wheel	23-05895-001	2
5588	Snap Ring	22-06497-029	4
5589	Geared Wheel	23-05941-001	2
5590	Wheel Stud	22-09636-001	4
	Ball Bearing	6-30-050-206-0	4
5591	Snap Ring	22-06498-005	8
5592	Side Plate	23-06789-001	2
5593	Spacer Washer	22-07725-001	16
5594	Trolley Stud	22-03337-008	2
5597	Pinion	22-07688-001	1
5598	Shaft Bracket	23-05109-001	1
5599	Hand Wheel Shaft	22-03257-003	1
5600	Hand Chain **	22-00005-001	1
5601	Chain Guide	24-00099-007	1
5602	Hand Wheel	23-00007-009	1

SERIES B & C

5587	Idler Wheel	23-07412-001	2
5588	Snap Ring	22-06498-005	4
5589	Geared Wheel	23-07480-001	2
5590	Wheel Stud	22-11043-001	4
	Wheel Bearing	6-30-042-206-0	4
	Snap Ring	22-06497-003	4
	Bearing Cap	22-08646-001	4
5591	Snap Ring	22-06498-005	4
5592	Geared Side Plate	24-05738-003	1
55XX	Idler Side Plate	24-05738-004	1
5594	Trolley Stud	22-03337-001	2
5595	Coll. Bar Clamp	22-11044-002	1
5596	Key	6-11-024-034-0	1
5597	Drive Pinion	22-10985-002	1
5598	Shaft Bracket	23-07484-001	1
5599	Hand Wheel Shaft	23-07485-001	1
5600	Hand Chain **	22-00005-001	1
5601	Chain Guard	24-00099-005	1
5602	Hand Wheel	23-00007-004	1

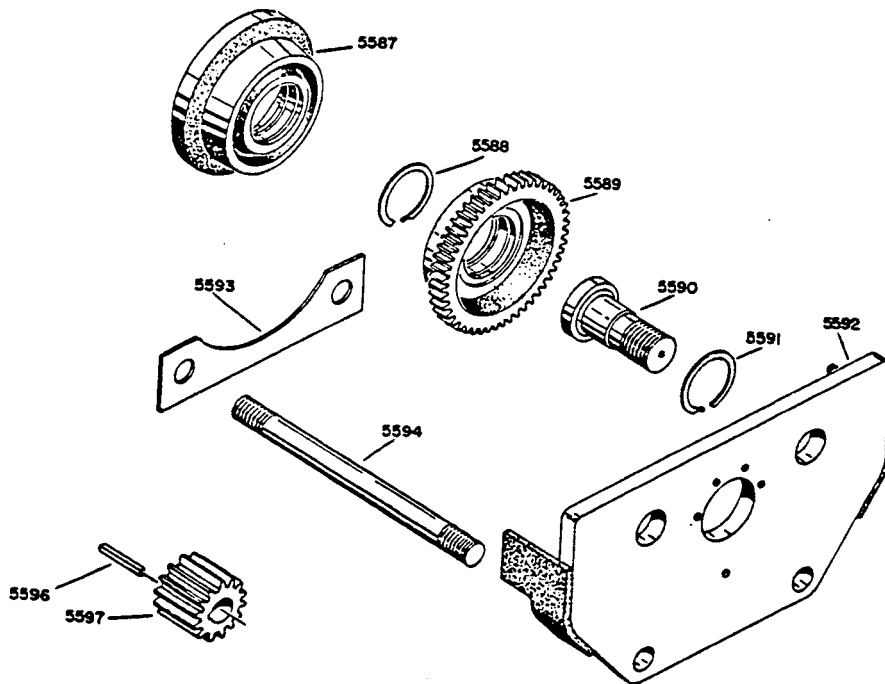
J3

8-4

OCTOBER 1980

"M" TYPE TROLLEY

SERIES A, Z



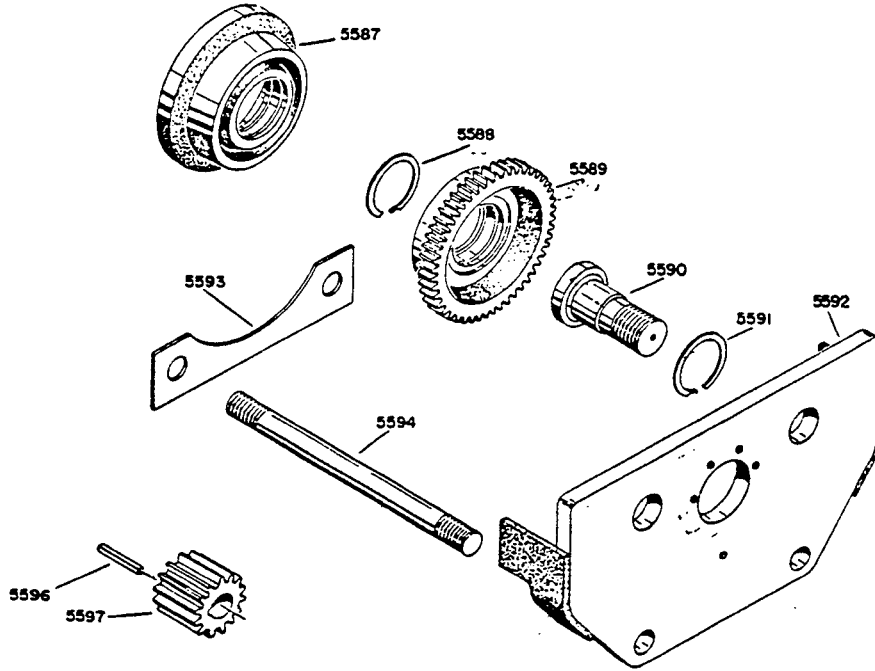
ITEM NUMBER	DESCRIPTION	PART NUMBER	QUANTITY
5587	Idler Wheel	23-07204-001	2
5588	Snap Ring	22-06497-029	4
	Geared Wheel	23-07205-001	2
5589	Wheel Gear	23-05942-001	2
<del>5590</del>	Wheel Stud	22-09636-001	4
	Ball Bearing	6-30-050-206-0	4
5591	Snap Ring	22-06498-005	8
5592	Side Plate	23-06789-001	2
5593	Spacer Washer	22-07725-001	16
5594	Trolley Stud	22-03357-008	2
5596	Key	6-11-024-034-0	1
5597	Pinion	22-07687-007	1

"M" TYPE TROLLEY  
 SERIES B, C

J5

8-5

OCTOBER 1980



ITEM NUMBER	DESCRIPTION	PART NUMBER	QUANTITY
5587	Idler Wheel	23-07412-001	2
5588	Snap Rings	22-06498-005	4
5589	Geared Wheel	23-07480-001	2
5590	Wheel Stud	22-11043-003	4
	Wheel Bearing	6-30-042-206-0	4
	Snap Ring	22-06497-003	4
	Bearing Cap	22-08646-001	4
5591	Snap Ring	22-06498-005	4
5592	Geared Side Plate	24-05738-003	1
	Plain Side Plate	24-05738-004	1
5594	Trolley Stud	22-03357-001	2
5596	Key	6-11-024-034-0	1
5597	Drive Pinion	22-10985-002	1

