

HOIST REFERENCE SHEET

J2

REFERENCE

OCTOBER 1980

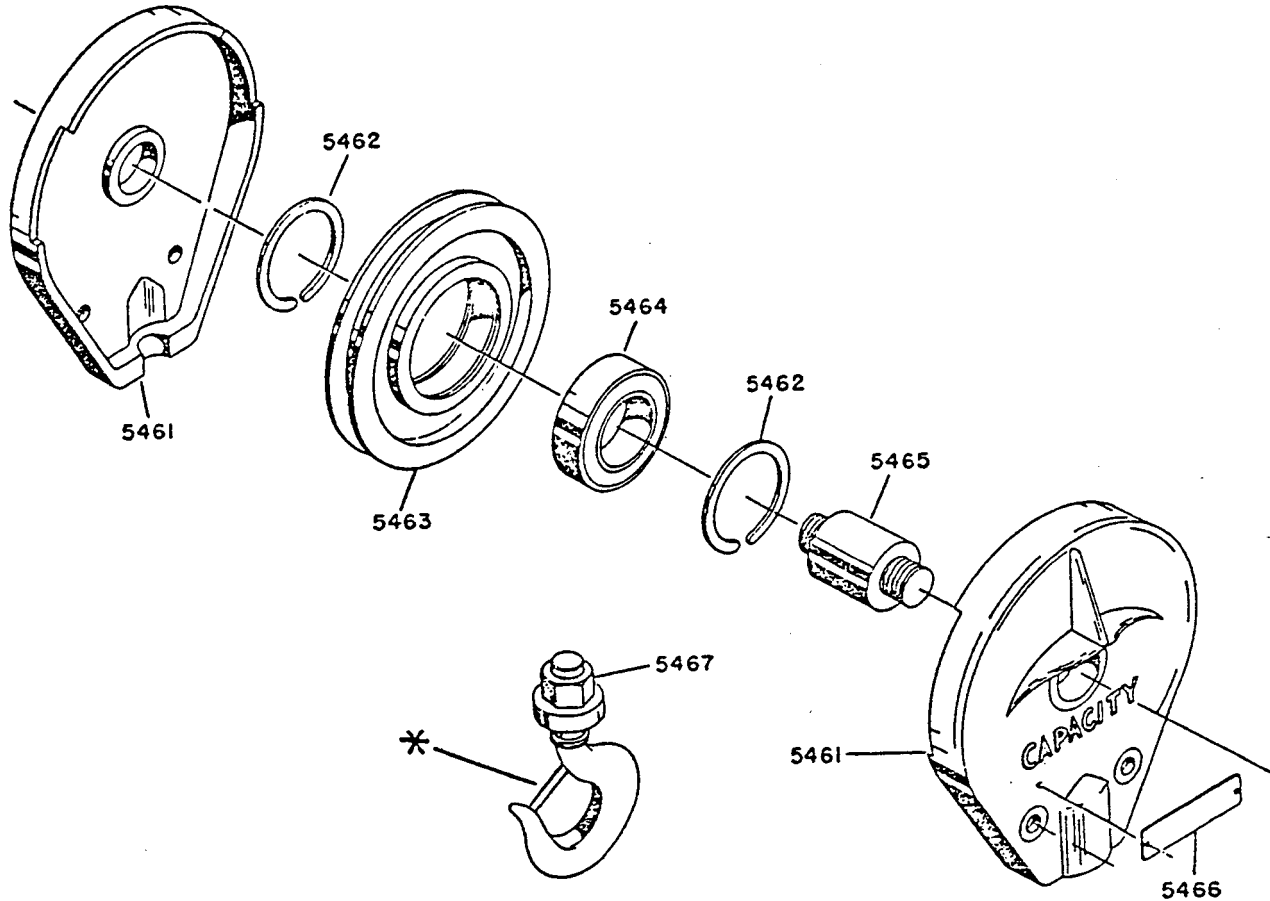
ITEM NUMBER	BASIC PARTS	Z	SERIES		
			A	B	C
5460-5467	Bottom Block	1-1	1-1	1-1	1-1
5555-5579	Control Panel	5-1	5-1	5-1	5-1
5587-5594	"B" Type Trolley	6-1	6-1	6-1	6-1
5587-5594	"M" Type Trolley	6-2	6-2	6-2	6-2
5603-5639	Trolley Drive Motor Parts (Rounded Gear Case)	Basic Section			
5640-5650	Wheel Type Collector	Basic Section			
5880-5891	Hoist Gear Case	3-1	3-1	3-1	3-1
5892-5920	Hoist Gear Case	3-2	3-2	3-2	3-2
5921-5939	Frame & Components	4-2	4-2	4-2	4-2
5951-5967	Hoist Motor & Brake	2-2	2-2	2-2	2-2
6660-6676	Trolley Motor Brake	Basic Section			
8001-8034	Trolley Drive Motor (Rectangular Gear Box)	Basic Section			



BOTTOM BLOCK ASSY.
 SERIES A, B, C, Z

J2
 1-1

OCTOBER 1980



ITEM NUMBER	DESCRIPTION	PART NUMBER	QUANTITY
5460	Bottom Block Assy. (Less Item 5466)	24-04182-014	1
5461	Sheave Frame	24-04178-001	2
5462	Snap Ring	22-02244-013	2
5463	Sheave	23-05497-001	1
5464	Bearing	6-30-050-205-1	1
5465	Stud	22-06967-001	1
5466	Capacity Plate (1/2 Ton)	22-06968-002	2
	Capacity Plate (1 Ton)	22-06968-003	2
5467	Hook Assy.	22-08553-001	1
*	Safety Latch	22-09917-004	1

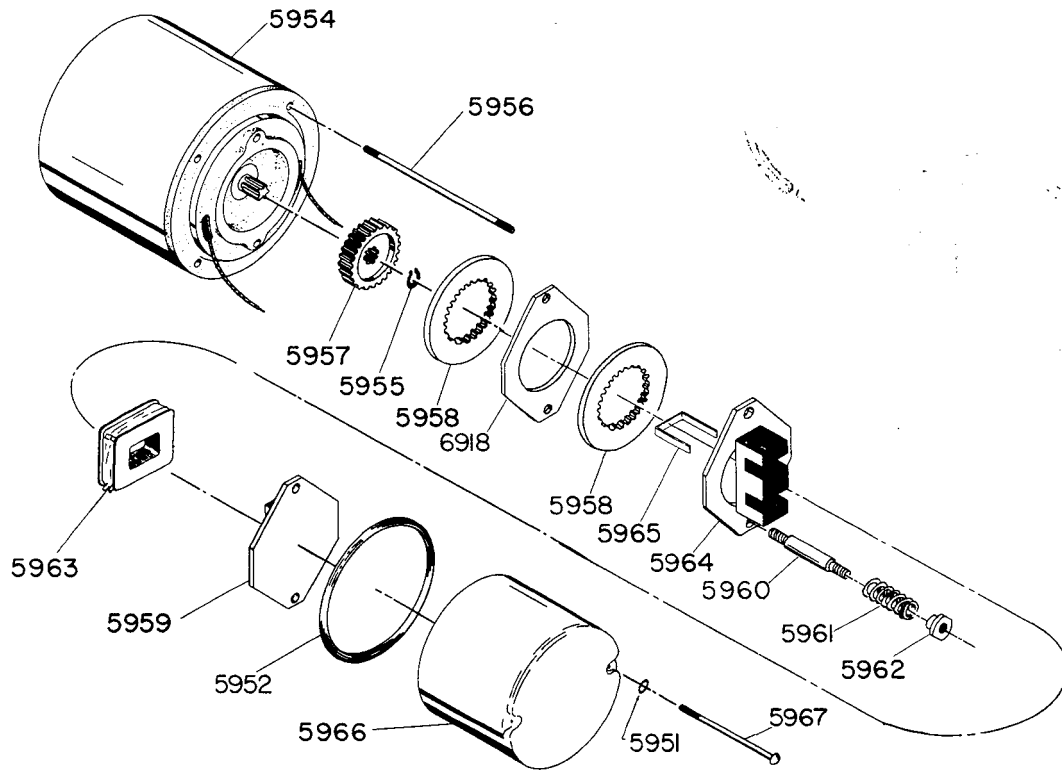
J2

M4A BRAKE

2-1

SERIES A, B, C, Z

OCTOBER 1980



M4A BRAKE
 SERIES A, B, C, Z

J2

2-2

MAY 1983

ITEM NUMBER	DESCRIPTION	PART NUMBER	QUANTITY
	Assembly (22-08269-001 Coil)	*27-12041-001	1
	Assembly (22-08269-006 Coil)	*27-12041-002	1
5951	Sealing Washer	22-10495-001	2
5952	O Ring Gasket	22-09461-001	1
5954	Single Phase Motor 1 HP, 115/230 Volt Motor	Not Available	1
5954	Three Phase Motor .6HP 230/460 Volt Motor	23-07701-105	1
	1-1/4 HP 230/460 V. Motor	23-07701-102	1
	1-1/4 HP 575 Volt Motor	23-07701-103	1
5955	Retaining Ring	22-06497-026	1
5957	Hub	22-08000-022	1
5958	Friction Disc	22-07965-002	1
▷ 5959	Armature Plate Assembly	23-06374-001	1
▷ 5960	Stud	23-03645-021	2
5961	Spring	22-03615-010	2
5962	Adjusting Sleeve	22-08470-002	4
▷ 5963	230 Volt Coil	22-08269-001	1
	115 Volt Coil	22-08269-002	1
	575 Volt Coil	22-08269-005	1
	460 Volt Coil	22-08269-006	1
	208 Volt Coil	22-08269-029	1
▷ 5964	Magnetic Pole Piece Assembly	23-06314-001	1
▷ 5965	Coil Support	22-08471-001	1
5966	Brake Cover	23-06312-001	1
5967	Cover Stud	6-02-053-080-1	2

*For variation, designate 10 digit number of coil requested.
 DUAL VOLTAGE 115/230 VOLT MOTORS USE 115 VOLT COILS, 230/460
 VOLT MOTORS USE 230 VOLT COILS. SINGLE VOLTAGE & 2 SPEED MOTORS
 USE LINE VOLTAGE COILS.

▷ Old style parts may not be available. If unavailable, brake may
 be serviced by converting to a new style type R4 brake.

230 Volt "M to R" kit	27-12041-007
460 Volt "M to R" kit	27-12041-008

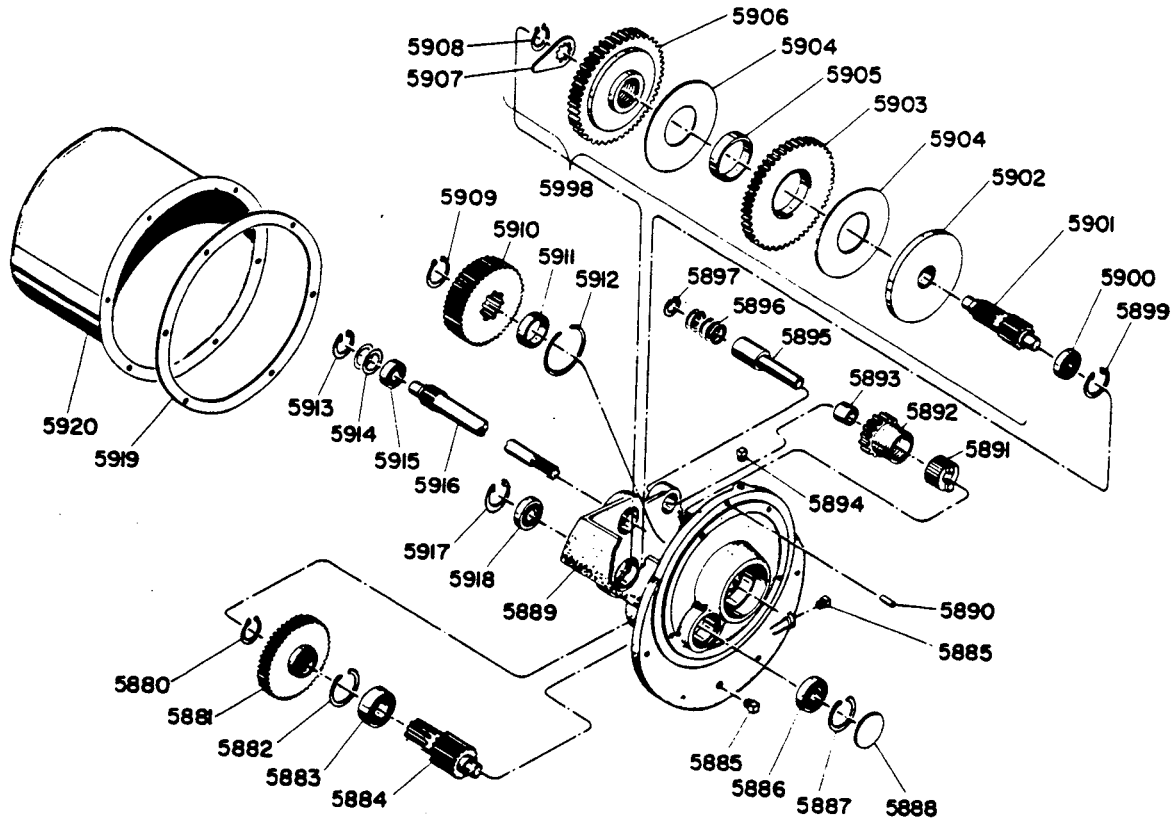
J2

HOIST GEAR CASE

3-1

SERIES A, B, C, Z

OCTOBER 1980



ITEM NUMBER	DESCRIPTION	PART NUMBER	QUANTITY
5880	Snap Ring	22-06497-009	1
5881	Intermediate Gear	23-05215-001	1
5882	Snap Ring	22-02244-010	1
5883	Bearing	6-30-061-206-1	1
5884	Drum Pinion - 10FPM, 15FPM & 19 FPM	23-05214-001	1
	Drum Pinion - 30FPM, 38FPM	23-05214-002	1
5885	Pipe Plug	6-10-012-002-1	2
5886	Bearing	6-30-041-203-1	1
5887	Snap Ring	22-06498-003	1
5888	Welch Plug	22-00403-001	1
5889	Gear Case	25-01745-001	1
5890	Pin	6-16-018-022-0	1
5891	Adapter	22-06487-001	1

HOIST GEAR CASE
 SERIES A, B, C, Z

J2
 3-2

OCTOBER 1980

PART NUMBER	DESCRIPTION	PART NUMBER	QUANTITY
5892	Pinion	22-08647-002	1
	Spring	22-08648-001	1
5893	Bushing	22-06517-001	1
5894	Pipe Plug	22-04328-002	1
5895	Clutch Shaft	22-06455-001	1
5896	Shim	6-23-021-055-1	5
5897	Snap Ring	22-06498-001	1
5898	Load Brake Assembly 15,30 FPM	21-03339-001	1
	Load Brake Assembly 10,19,38FPM	21-03339-002	1
5899	Snap Ring	22-06498-003	1
5900	Bearing	6-30-041-203-1	1
5901	Intermediate Pinion	23-05219-001	1
5902	Thrust Discs	23-05218-001	1
5903	Ratchet Gear	23-05217-001	1
5904	Brake Liner	22-06456-001	2
5905	Bushing	22-06457-001	1
5906	Motor Gear 15 FPM, 30 FPM	24-03953-001	1
	Motor Gear 10,19,38 FPM	24-03953-002	1
5907	Reverse Lever	22-06458-001	1
5908	Snap Ring	22-06497-010	1
5909	Snap Ring	22-02244-011	1
5910	Drum Gear 10,15,19 FPM	23-05216-001	1
	Drum Gear 30,38 FPM	23-05216-002	1
5911	Gear Spacer	22-06454-001	1
5912	Snap Ring	22-06497-004	1
5913	Snap Ring	22-06498-002	1
5914	Shim	6-23-020-042-0	12
5915	Bearing	6-30-041-202-1	1
5916	Drive Shaft 15,30 FPM	23-05237-001	1
	Drive Shaft 10, 19, 38FPM	23-05237-002	1
5917	Snap Ring	22-06498-003	1
5918	Bearing	6-30-041-203-1	1
5919	Gear Cover Gasket	23-05241-001	1
5920	Gear Cover	24-03952-001	1

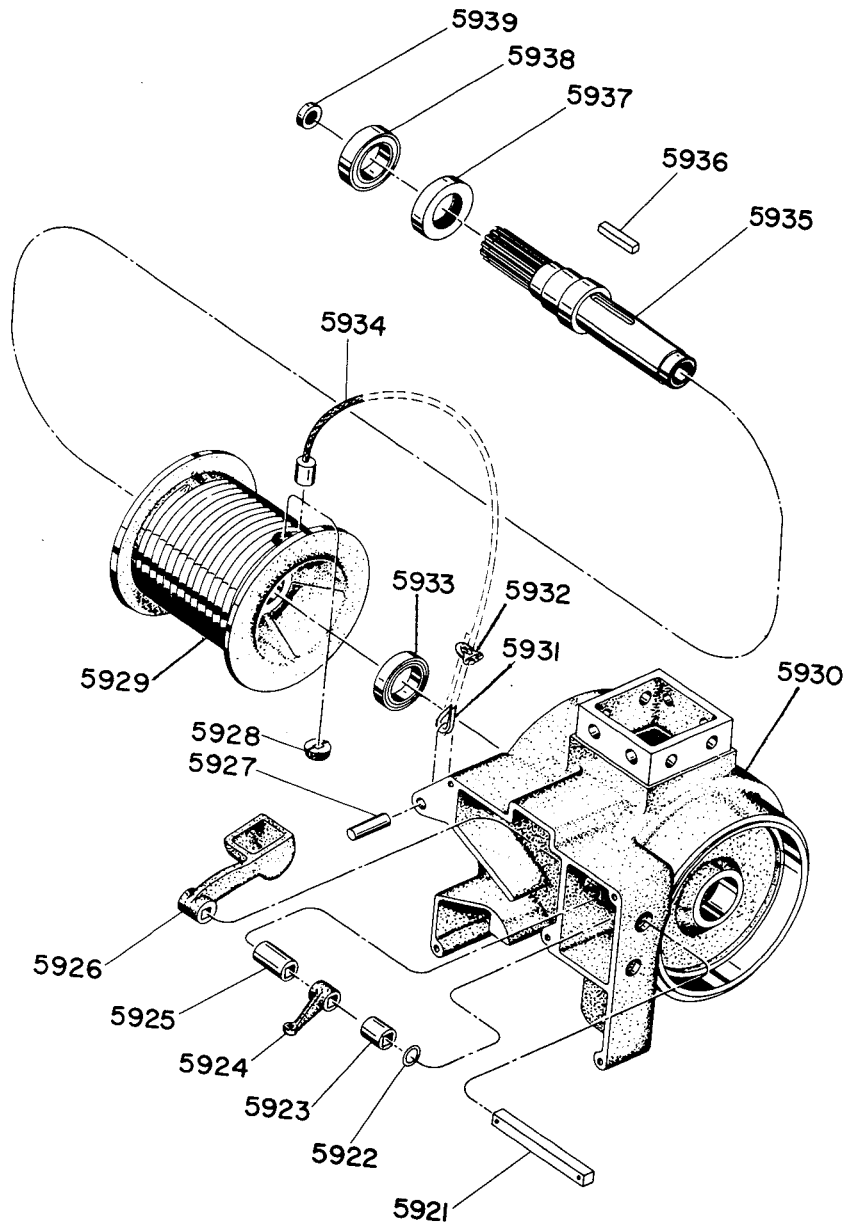
J2

FRAME & COMPONENTS

4-1

SERIES A, B, C, Z

OCTOBER 1980



FRAME & COMPONENTS

J2

SERIES A, B, C, Z

4-2

OCTOBER 1980

ITEM NUMBER	DESCRIPTION	PART NUMBER	QUANTITY
5921	Lower Limit Shaft	22-07733-002	1
5922	Shim	6-23-030-043-0	10
5923	Bushing	22-05466-004	1
5924	Lower Limit Arm	23-06275-001	1
5925	Bushing	22-05466-006	1
5926	Lower Limit Drum Lever	23-06212-001	1
5927	Pin	22-01985-032	1
5928	Pipe Plug	6-10-014-006-1	1
5929	Rope Drum	25-01744-001	1
5930	Hoist Frame	25-02305-001	1
5931	Rope Thimble	22-00306-001	1
5932	Rope Clip	22-00305-001	3
5933	Bearing	22-06493-001	1
5934	Cable (See Basic Section)		
5935	Drum Shaft	23-05213-001	1
5936	Key	6-11-024-032-0	1
5937	Oil Seal	22-06494-001	1
5938	Bearing	6-30-041-208-1	1
5939	Oil Seal	22-06499-001	1

J2

CONTROL PANEL

5-1

SERIES A, B, C, Z

OCTOBER 1980

ITEM NUMBER	DESCRIPTION	PART NUMBER	QUANTITY
5555	Micro Switch	23-05987-001	1
5556	Control Panel	24-03959-012	1
TRANSFORMER			
5557	230/460V Pri. 24V Sec. 20 VA	23-07228-003	1
	230/460V Pri. 115V Sec. 20 VA	23-07228-007	1
	575V Pri. 115V Sec. 20 VA	23-07228-008	1
5558	Contact Kit (Hoist Controller)	See Page 5-2	6
5559	Magnetic Controller (Hoist)	See Page 5-2	1
5560	Cover Gasket	23-05302-001	1
5561	Control Cover	24-03960-001	1
5562	Limit Cable	22-08301-002	1
5563	Upper Limit Lever	22-08304-001	1
5564	Micro Switch	23-05987-001	2
5565	Bracket Insulator Strip	22-07777-001	3
5566	Limit Switch Plunger	22-07731-002	2
5567	Limit Switch Bracket	23-05896-002	1
5568	Felt Washer	6-23-060-204-0	1
5569	Limit Switch Spring	22-07732-001	1
5570	Upper Limit Spacer	22-07735-001	1
5571	Coil(Hoist Controller 24 V)	See Page 5-2	2
	Coil(Hoist Controller 115 V)	See Page 5-2	2
5572	Upper Limit Shaft	22-07734-001	1
5573	Felt Washer	6-23-060-204-0	1
5574	Bearing	6-30-102-007-0	2
5575	Roll Pin	22-07653-002	1
5576	Roll Pin	22-07653-001	1
5577	Mainline Cable Assy.	22-08226-001	1
*5579	Limit Switch Weight Assy.	22-08306-001	1

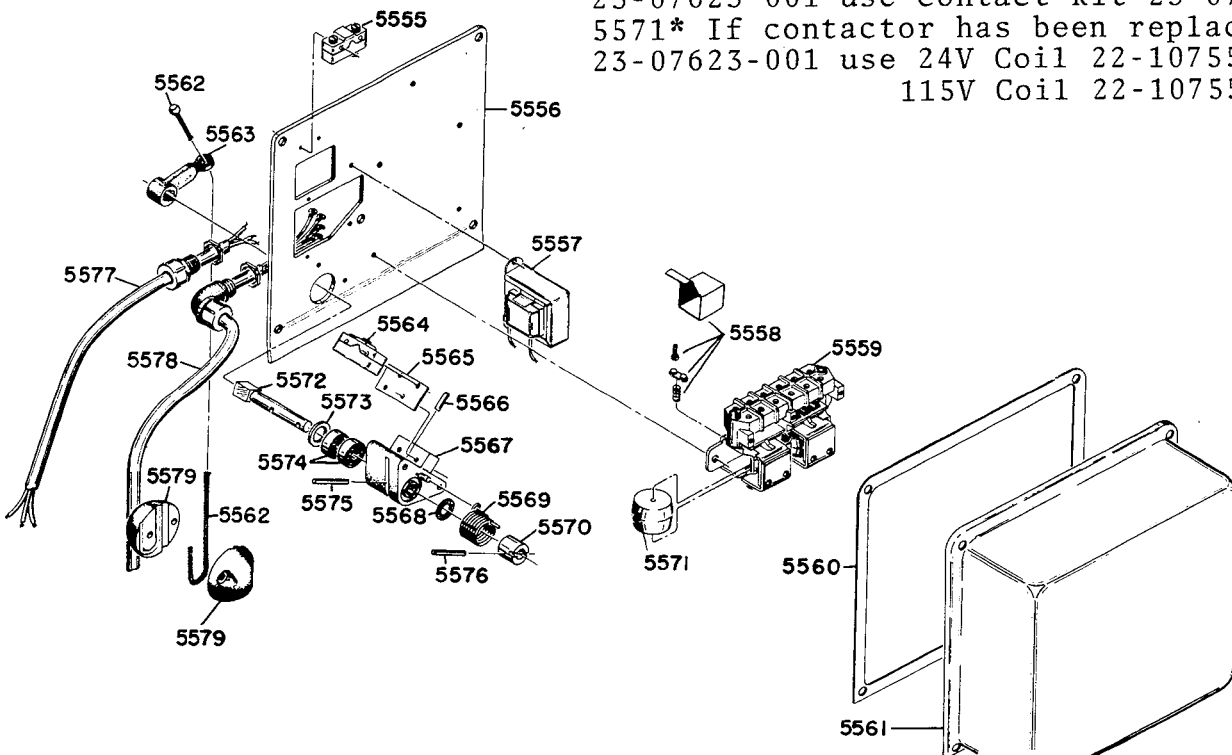
*Consists of 22-08412-001 Limit Weight and 22-10059-001 Eye Bolt.

CONTACT KITS
SERIES A, B, C, Z

J2
5-2
OCTOBER 1980

ITEM NUMBER	DESCRIPTION	PART NUMBER	QUANTITY
5558	Contact Kit Hoist Controller		
	Series A, B	*22-10501-013	6
	Series C	22-09509-001	6
	Series Z	22-08522-001	6
5559	Magnetic Controller (Hoist)		
	Series A, B	*22-10501-003	1
	Series C	22-09494-001	1
	Series Z	22-07859-001	1
5571	Coil (Hoist Controller)		
	Series A, B 24 V	*22-10501-004	2
	Series A, B 115 V	*22-10501-005	2
	Series C 24 V	22-09507-006	2
	Series C 120 V	22-09507-001	2
	Series Z 24 V	22-08497-001	2
	Series Z 115 V	22-08497-002	2

5559* When replacing complete contactor use 23-07623-001.
 5558* If contactor has been replaced by 23-07623-001 use contact kit 23-07623-010.
 5571* If contactor has been replaced by 23-07623-001 use 24V Coil 22-10755-003.
 115V Coil 22-10755-004.



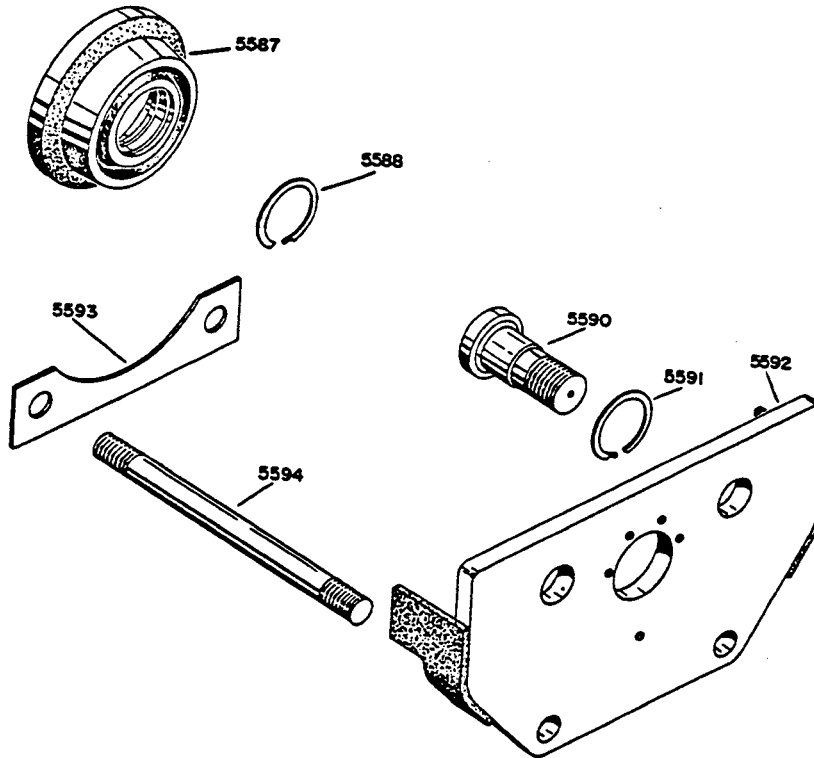
J2

"B" TYPE TROLLEY

6-1

SERIES A, B, C, Z

OCTOBER 1980

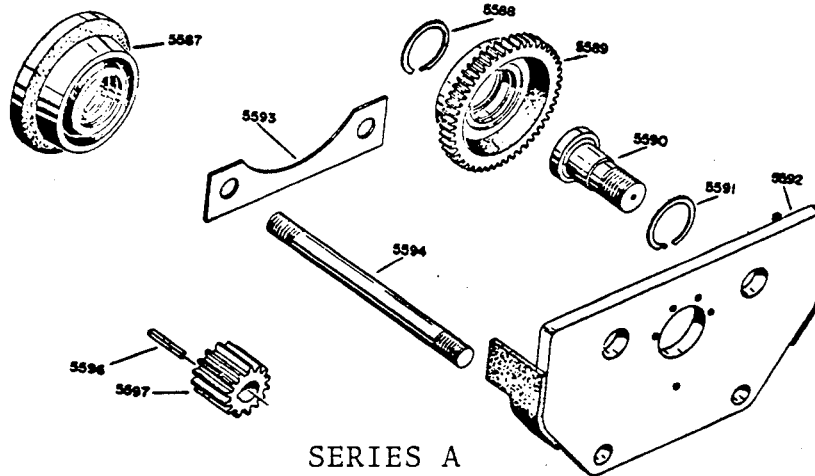


ITEM NUMBER	DESCRIPTION	PART NUMBER	QUANTITY
5587	Trolley Wheel	23-05239-001	4
5588	Snap Ring	22-06498-008	8
5590	Wheel Stud	22-09638-001	4
XXXX	Bearing	6-30-050-204-1	4
5591	Snap Ring	22-06497-028	4
5592	Side Plate	23-05240-001	2
5593	Spacer Washer	22-06549-001	12
5594	Stud	22-06554-001	2

"M" TYPE TROLLEY
 SERIES A, B, C, Z

J2
 6-2

OCTOBER 1980



SERIES A

PART NUMBER	DESCRIPTION	PART NUMBER	QUANTITY
5587	Idler Wheel	23-07204-001	2
5588	Snap Ring	22-06497-029	4
5589	Geared Wheel	23-07205-001	2
	Wheel Gear	23-05942-001	2
5590	Wheel Stud	22-09636-001	4
	Ball Bearing	6-30-050-206-0	4
5591	Snap Ring	22-06498-005	8
5592	Side Plate	23-06789-001	2
5593	Spacer Washer	22-07725-001	16
5594	Trolley Stud	22-03337-008	2
5597	Pinion	22-07687-007	1

SERIES B & C

5587	Idler Wheels	23-07412-001	2
5588	Snap Ring	22-06498-005	4
5589	Geared Wheel	23-07480-001	2
5590	Wheel Stud	22-11043-001	4
	Wheel Bearing	6-30-042-206-0	4
	Snap Ring	22-06497-003	4
	Bearing Cap	22-08646-001	4
5591	Snap Ring	22-06498-005	4
5592	Geared Side Plate	24-05738-003	1
	Plain Side Plate	24-05738-004	1
5594	Trolley Stud	22-03337-001	2
5596	Key	6-11-024-034-0	1
5597	Drive Pinion	22-10985-002	1

