

J-1 HOIST REFERENCE SHEET

J1

REFERENCE

AUGUST 1980

ITEM NUMBER	BASIC PARTS	Z	SERIES		
			A	B	C
5460-5467	Bottom Block	1-1	1-1	1-1	1-1
5555-5579	Control Panel	5-2	1-2	1-2	2-1
5587-5594	"B" Type Trolley	6-1	6-1	6-1	6-1
5587-5594	"M" Type Trolley	6-2	6-2	6-2	6-2
5605-5639	Trolley Drive Motor Parts (Rounded Gear Case)			Basic Section	
5640-5650	Wheel Type Collector			Basic Section	
5880-5920	Hoist Gear Case	3-1	3-1	3-1	3-1
5921-5939	Frame & Components	5-1	5-1	5-1	5-1
5951-5967	Hoist Motor & Brake	4-1	4-1	4-1	4-1
6660-6676	Trolley Motor Brake			Basic Section	
8000-8034	Trolley Drive Motor (Rectangular Gear Case)			Basic Section	



BOTTOM BLOCK ASSEMBLY
 SERIES A, B, C, Z

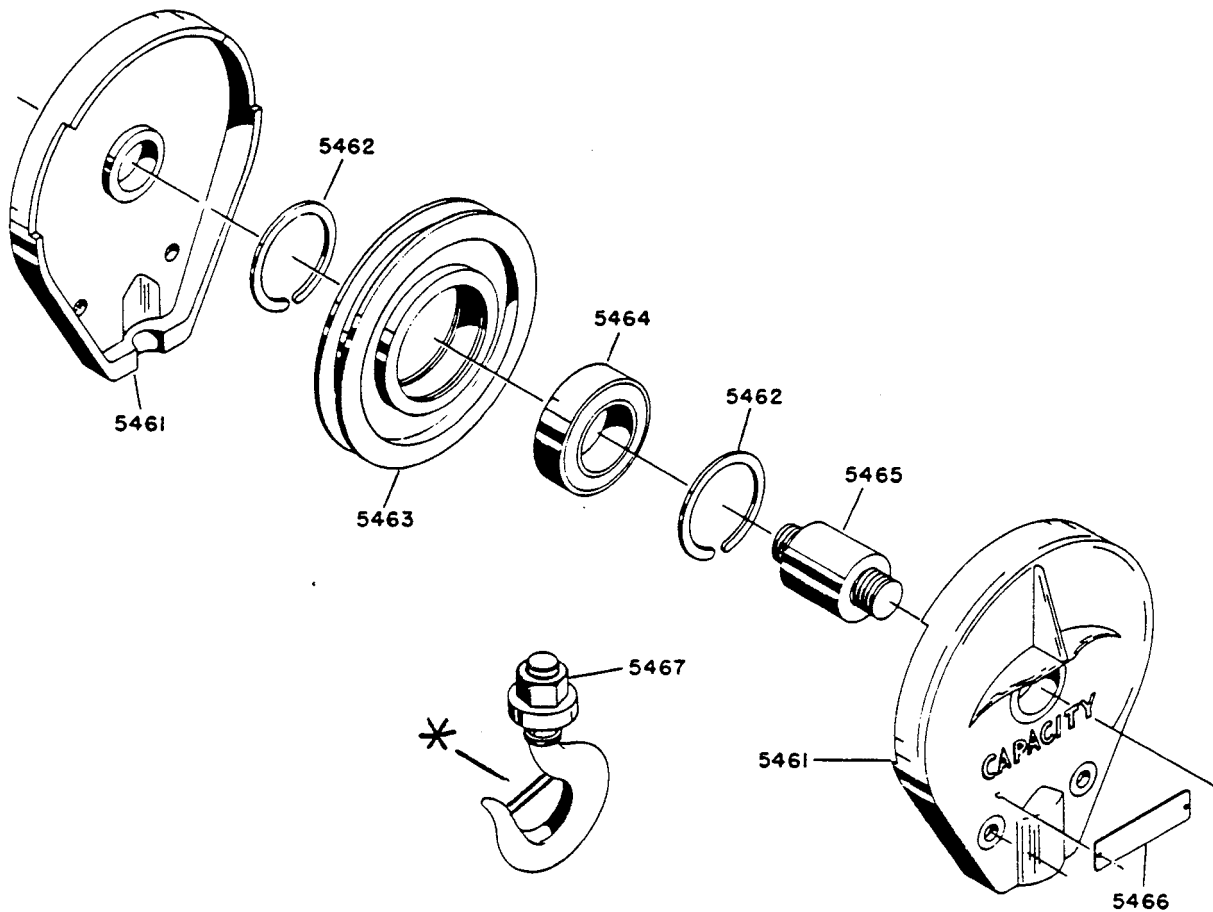
J1

1-1

AUGUST 1980

ITEM NUMBER	DESCRIPTION	PART NUMBER	QUANTITY
5460	Bottom Block Assembly (less item 5466)	24-04181-013	1
5461	Sheave Frame	24-04177-001	2
5462	Snap Ring	22-02244-012	2
5463	Sheave	23-05495-001	1
5464	Ball Bearing	6-30-050-203-1	1
5465	Sheave Pin	22-06965-001	1
5466	Capacity Plate 1/4 Ton	22-06968-001	2
	Capacity Plate 1/2 Ton	22-06968-002	2
5467	Hook Assembly	22-08554-001	1
*	Safety Latch	22-09917-001	1

* Not Shown



J1

CONTROL PANEL

1-2

SERIES A, B

AUGUST 1980

ITEM NUMBER	DESCRIPTION	PART NUMBER	QUANTITY
5555	Micro Switch	23-05987-001	1
5556	Control Plate	24-03959-012	1
	Transformer		
5557	230/460 V PRI 24 V Sec 20 VA	23-07228-003	1
	230/460 V PRI 115 V Sec 20 VA	23-07228-007	1
	575 V PRI 115 V Sec 20 VA	23-07228-008	1
5558	Contact Kit	22-10501-013	1
5559**	Controller	22-10501-003	1
5560	Cover Gasket	23-05302-001	1
5561	Control Cover	24-03960-001	1
5562	Limit Cable	22-08301-002	1
5563	Limit Switch Lever	22-08304-001	1
5564	Micro Switch	23-05987-001	2
5565	Insulator Strip	22-07777-001	3
5566	Limit Switch Plunger	22-07731-002	2
5567	Limit Switch Bracket	23-05896-002	1
5568	Felt Washer	6-23-060-204-0	1
5569	Limit Spring	22-07732-001	1
5570	Limit Spacer	22-07735-001	1
5571	Coil (Hoist Controller 24 V)	22-10501-004	2
	Coil (Hoist Controller 115 V)	22-10501-005	2
5572	Limit Shaft	22-07734-001	1
5573	Felt Washer	6-23-060-204-0	1
5574	Ball Bearing	6-30-102-007-0	1
5575	Roll Pin	22-07653-002	1
5576	Roll Pin	22-07653-001	2
5577	Main Line Cable	22-08226-002	1
5579*	Limit Switch Weight Assembly	22-08306-001	1

*Consist of 22-08412-001 Limit Weight 22-10059-001 Eye Bolt

**Replaced by 23-07623-001

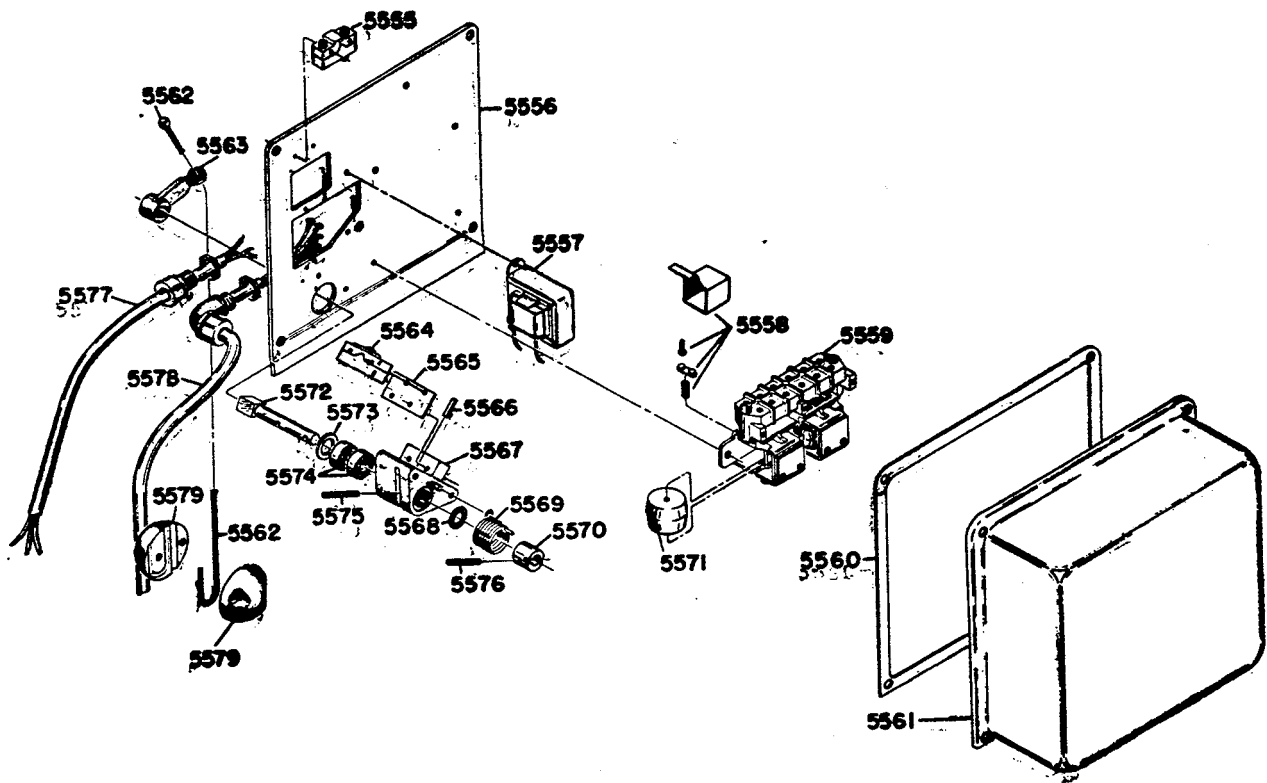
CONTROL PANEL

J1

SERIES A & B

1-3

AUGUST 1980



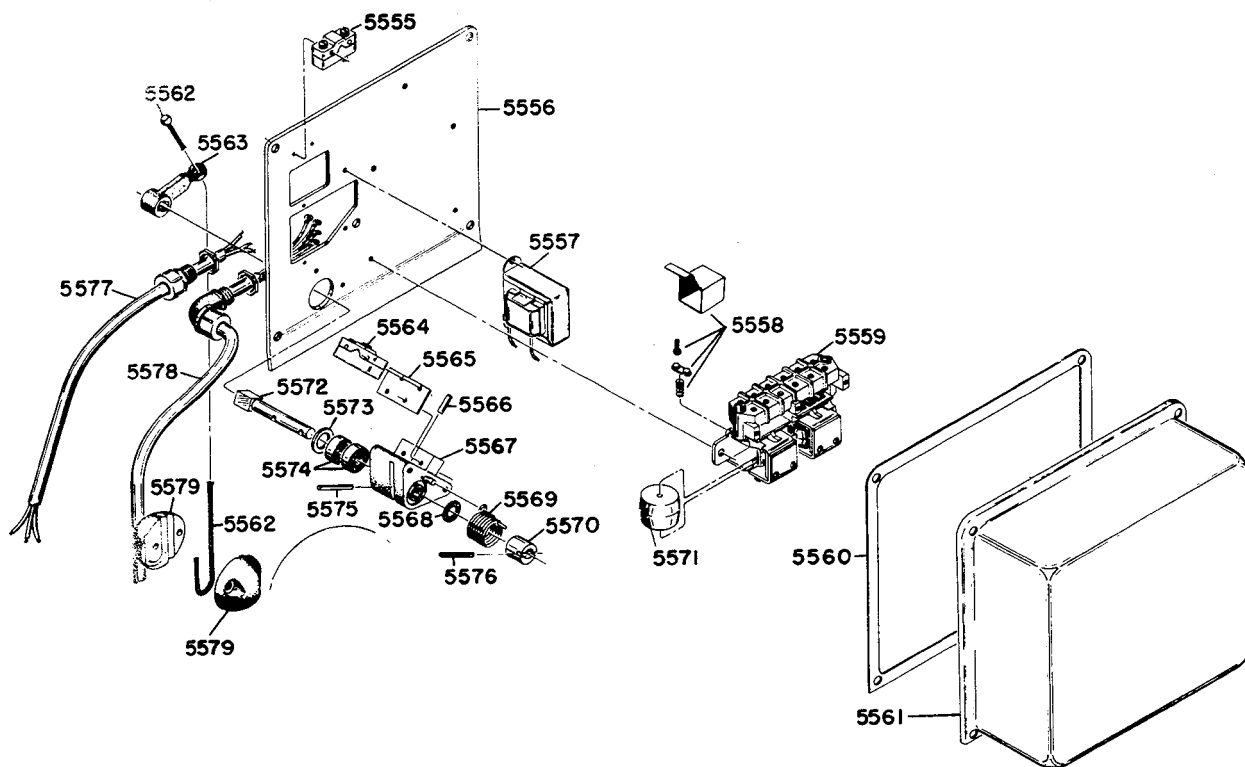
J1

CONTROL PANEL

1-4

SERIES C

AUGUST 1980



CONTROL PANEL

J1

SERIES C

2-1

AUGUST 1980

ITEM NUMBER	DESCRIPTION	PART NUMBER	QUANTITY
5555	Micro Switch	23-05987-001	1
5556	Control Plate	24-03959-012	1
	Transformer		
	230/460V PRI 24V Sec. 20 VA	23-07228-003	1
5557	230/460V PRI 115V Sec. 20 VA	23-07228-007	1
	575V PRI 115V Sec. 20 VA	23-07228-008	1
5558	Contact Kit	22-09509-001	1
5559	Hoist Controller	22-09494-001	1
5560	Cover Gasket	23-05302-001	1
5561	Control Cover	24-03960-001	1
5562	Limit Cable	22-10794-001	1
5563	Upper Limit Lever	22-08304-001	1
5564	Micro Switch	23-05987-001	2
5565	Bracket Insulator Strip	22-07777-001	3
5566	Limit Switch Plunger	22-07731-002	2
5567	Limit Switch Bracket	23-05986-002	1
5568	Felt Washer	6-23-060-204-0	1
5569	Upper Limit Spring	22-07732-001	1
5570	Upper Limit Spacer	22-07735-001	1
5571	Coil (Hoist Controller 110V)	22-09507-001	1
	Coil (Hoist Controller 24V)	22-09507-006	1
5572	Upper Limit Shaft	22-07734-001	1
5573	Felt Washer	6-23-060-204-0	1
5574	Ball Bearing	6-30-102-007-0	1
5575	Roll Pin	22-07653-002	1
5576	Roll Pin	22-07653-001	1
5577	Main Line Cable	22-08226-002	1
5579*	Limit Switch Weight Assembly	22-08306-001	1

*Consists of 22-08412-001 Limit Weight 22-10059-001
Eye Bolt.

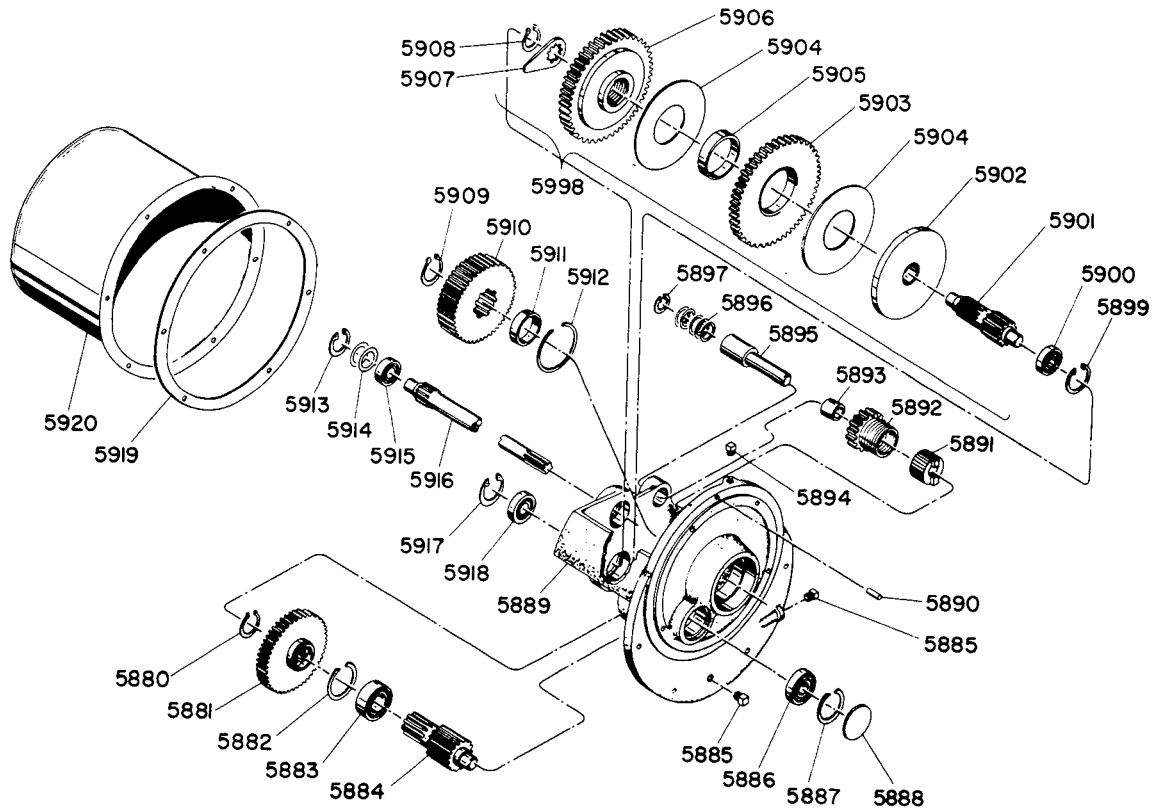
J1

GEAR CASE

2-2

SERIES A, B, C, Z

AUGUST 1980



GEAR CASE
SERIES A, B, C, Z

J1
3-1
AUGUST 1980

ITEM NUMBER	DESCRIPTION	PART NUMBER	QUANTITY
5880	Snap Ring	22-06497-005	1
5881	Int. Gear	23-05267-001	1
5882	Snap Ring	22-06498-008	1
5883	Ball Bearing	6-30-041-204-0	1
5884	Drum Pinion 1/2 Ton	23-05258-001	1
	Drum Pinion 1/4 Ton	23-05258-002	1
5885	Pipe Plug	6-10-012-002-1	2
5886	Ball Bearing	6-30-041-202-0	1
5887	Snap Ring	22-06498-002	1
5888	Welch Plug	22-00311-001	1
5889	Obsolete - Not Available		1
5890	Dowel Pin	6-16-018-022-0	1
5891	Adapter	22-06487-001	1
5892	Pinion	22-08647-002	1
	Spring	22-08648-001	1
5893	Bushing	22-06517-001	1
5894	Pipe Plug	22-04328-002	1
5895	Clutch Shaft	22-06455-002	1
5896	Shim	6-23-021-055-0	5
5897	Snap Ring	22-06498-001	1
5898	Load Brake Assembly	21-03338-001	1
5899	Snap Ring	22-06498-007	1
5900	Ball Bearing	6-30-041-201-0	1
5901	Int. Pinion	23-05259-001	1
5902	Th. Disc	23-05264-001	1
5903	Ratch Gear	23-05263-001	1
5904	Brake Liner	22-06527-001	2
5905	Bushing	22-06530-001	1
5906	Motor Gear	24-03971-002	1
5907	Reverse Lever	22-06529-001	1
5908	Snap Ring	22-06497-005	1
5909	Snap Ring	22-06497-006	1
5910	Drum Gear 1/2 Ton	23-05266-001	1
	Drum Gear 1/4 Ton	23-05266-002	1
5911	Gear Spacer	22-06526-001	1
5912	Snap Ring	22-02244-010	1
5913	Snap Ring	22-06498-007	1
5914	Shim	6-23-020-046-0	12
5915	Ball Bearing	6-30-041-201-0	1
5916	Drive Shaft	23-05268-002	1
5917	Snap Ring	22-06498-007	1
5918	Ball Bearing	6-30-041-201-0	1
5919	Gear Cover Gasket	23-05262-001	1
5920	Gear Cover	24-03972-001	1

J1

MOTOR & BRAKE ASSEMBLY

3-2

SERIES A, B, C, Z

AUGUST 1980

HOIST MOTOR & BRAKE ASSEMBLY

ITEM NUMBER	DESCRIPTION	PART NUMBER	QUANTITY
5953	1/2 HP 115/230 V 1 PH (Use 115 V Coil)	20-09660-002	1
	1/2 HP 230/460 V 3 PH (Use 230 V Coil)	20-09661-002	1
	1/2 HP 575 V 3 PH (Use 575 V Coil)	20-09662-002	1

HOIST MOTORS

5954	1/2 HP 110/220 V Single Phase	20-09660-001	1
	1/2 HP 230/460 V 3 Phase	20-09661-001	1
	1/2 HP 575 V 3 Phase	20-09662-001	1

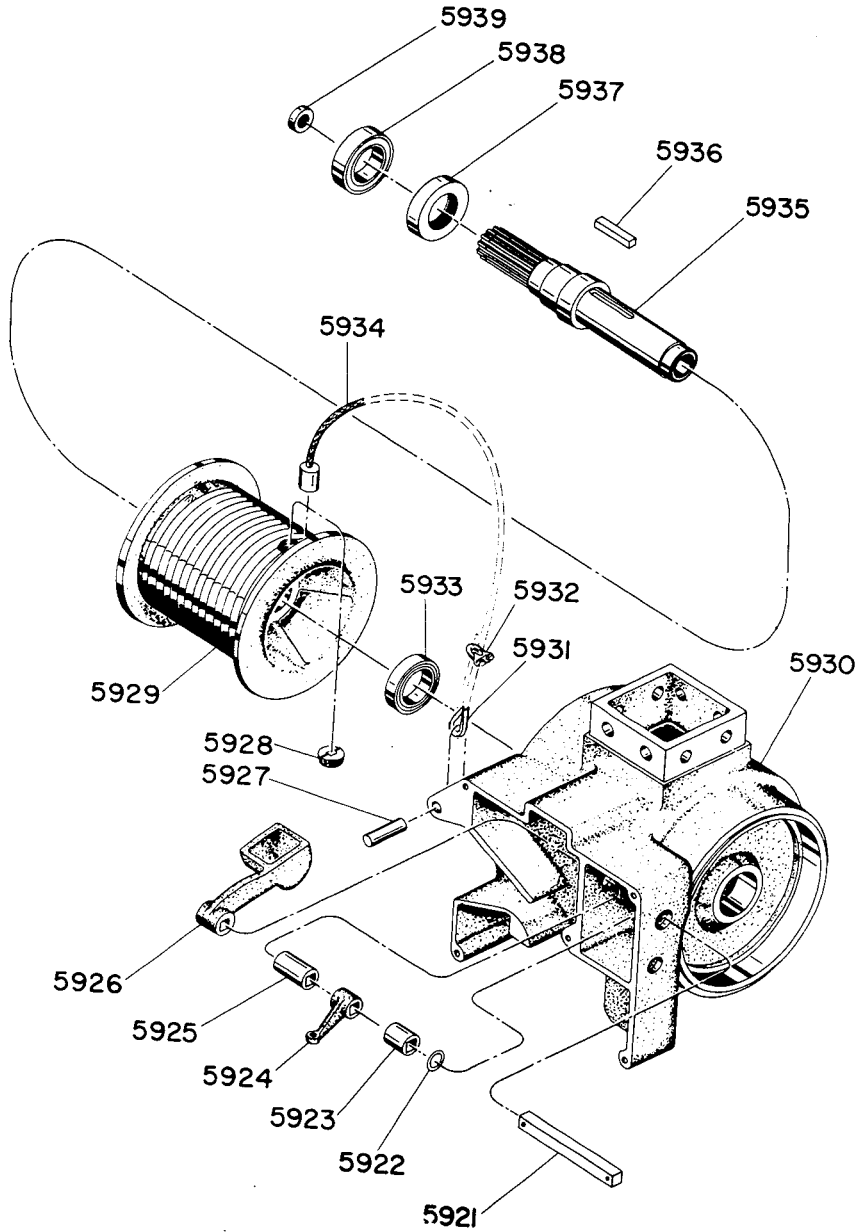
J1

FRAME & DRUM

4-2

SERIES A, B, C, Z

AUGUST 1980



FRAME & DRUM
SERIES A, B, C, Z

J1
5-1
AUGUST 1980

ITEM NUMBER	DESCRIPTION	PART NUMBER	QUANTITY
5921	Lower Limit Shaft	22-07733-002	1
5922	Shim	6-23-030-043-0	10
5923	Bushing	22-05466-004	1
5924	Lower Limit Arm	23-06275-001	1
5925	Bushing	22-05466-006	1
5926	Lower Limit Drum Lever	23-06212-001	1
5927	Pin	22-01985-033	1
5928	Pipe Plug	6-10-014-004-1	1
5929	Rope Drum	24-03970-001	1
5930	Hoist Frame	25-02308-001	1
5931	Rope Thimble	22-01263-001	1
5932	Rope Clip	22-01114-001	3
5933	Ball Bearing	22-06532-001	1
5935	Drum Shaft	23-05265-001	1
5936	Key	6-11-024-032-0	1
5937	Oil Seal	22-06534-001	1
5938	Ball Bearing	6-30-020-107-0	1
5939	Oil Seal	22-06533-001	1

J1

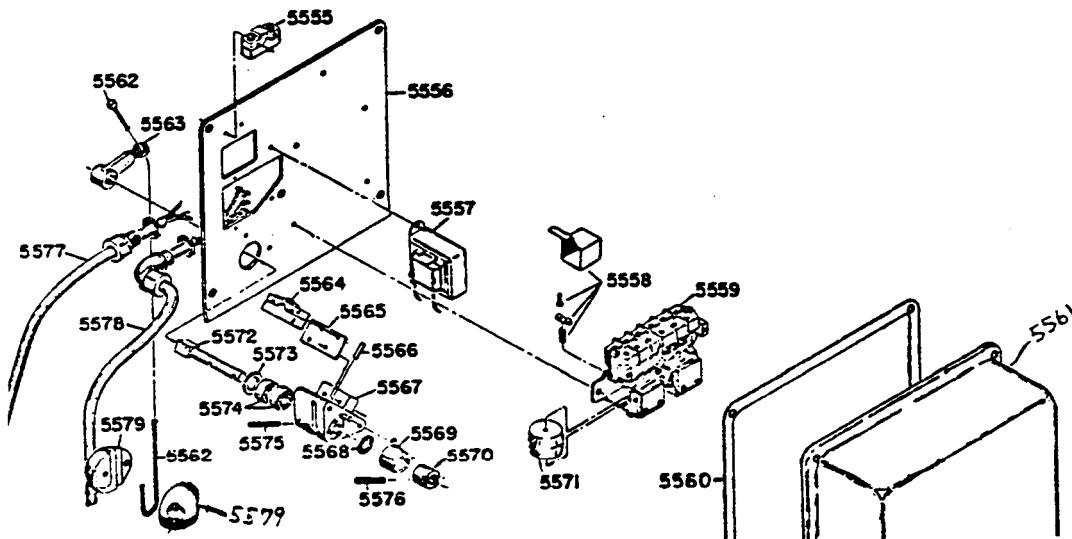
CONTROL PANEL

5-2

J-1 SERIES Z

AUGUST 1980

ITEM NUMBER	DESCRIPTION	PART NUMBER	QUANTITY
5555	Micro Switch	23-05987-001	1
5556	Control Panel	24-03959-012	1
	Transformer		
	230/460 V PRI. 24V SEC. 20 VA	23-07228-003	1
5557	230/460 V PRI. 115V SEC. 20 VA	23-07228-007	1
	575 V PRI. 115V SEC. 20 VA	23-07228-008	1
5558	Contact Kit (Hoist Controller)	22-08522-001	1
5559	Hoist Controller	22-07859-001	1
5560	Cover Gasket	23-05302-001	1
5561	Control Cover	24-03960-001	1
5562	Limit Cable	22-08301-002	1
5563	Upper Limit Lever	22-08304-001	1
5564	Micro Switch	23-05987-001	2
5565	Bracket Insulator Strip	22-07777-001	3
5566	Limit Switch Plunger	22-07731-002	2
5567	Limit Switch Bracket	23-05896-002	1
5568	Felt Washer	6-23-060-204-0	1
5569	Limit Switch Spring	22-07732-001	1
5570	Upper Limit Spacer	22-07735-001	1
5571	Coil (Hoist Controller 24 V)	22-08497-001	1
	Coil (Hoist Controller 115 V)	22-08497-002	1
5572	Upper Limit Shaft	22-07734-001	1
5573	Felt Washer	6-23-060-204-0	1
5574	Bearing	6-30-102-007-0	1
5575	Roll Pin	22-07653-002	1
5576	Roll Pin	22-07653-001	1
5577	Main Line Cable Assy.	22-08226-001	1
5579	Limit Switch Weight Assy.	22-08306-001	1

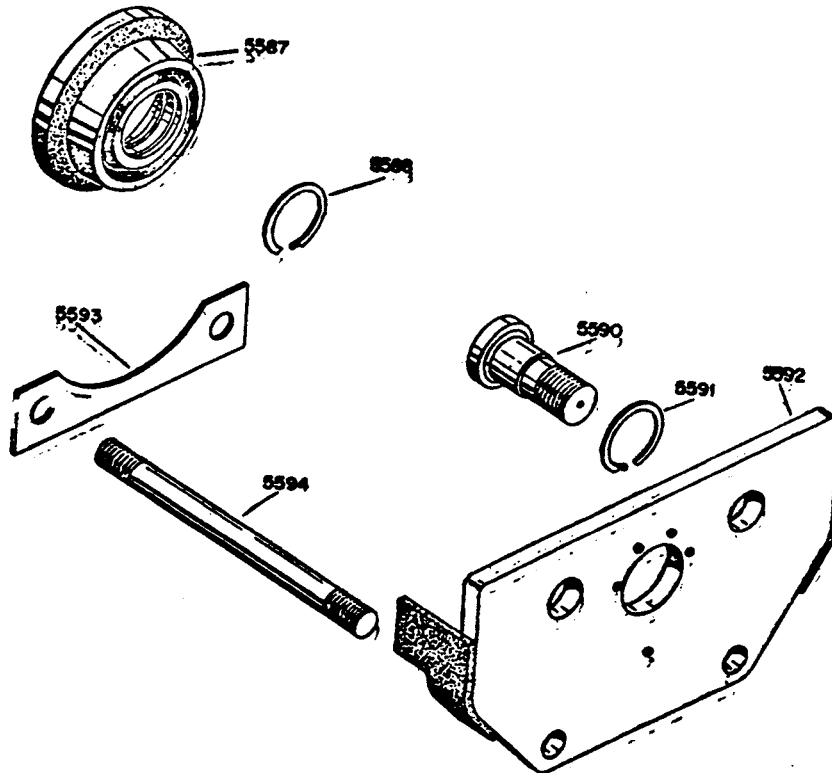


"B" TYPE TROLLEY
 J-1 SERIES A, B, C, Z

J1

6-1

AUGUST 1980



ITEM NUMBER	DESCRIPTION	PART NUMBER	QUANTITY
5587	Trolley Wheel	23-05239-001	4
5588	Snap Ring	22-06498-008	8
5590	Wheel Stud	22-09638-001	4
XXXX	Bearing	6-30-050-204-1	4
5591	Snap Ring	22-06497-028	4
5592	Side Plate	23-05240-001	2
5593	Spacer Washer	22-06549-001	12
5594	Stud	22-06554-001	2

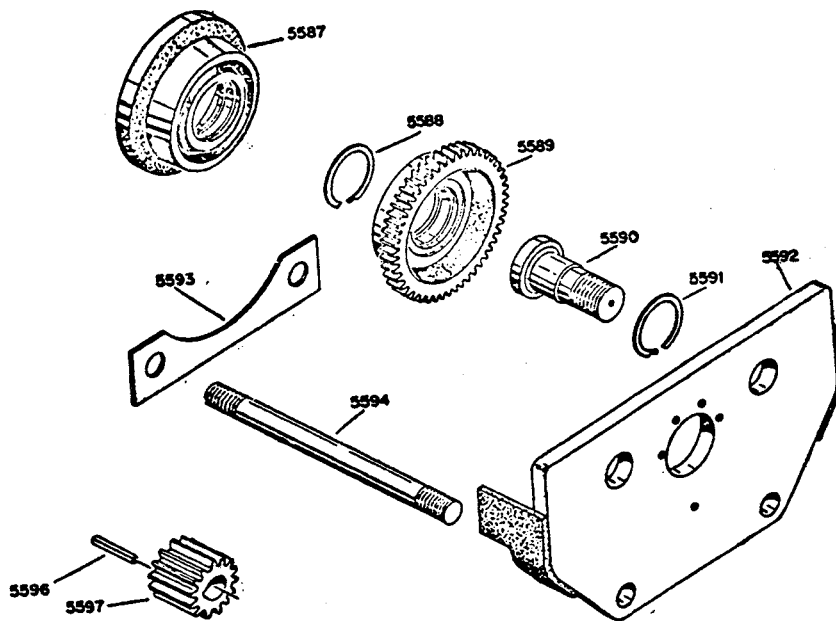
J1

"M" TYPE TROLLEY

6-2

SERIES A, B, C, Z

AUGUST 1980



ITEM NUMBER	DESCRIPTION	PART NUMBER	QUANTITY
5587	Idler Wheel	23-07204-001	2
5588	Snap Ring	22-06497-029	4
5589	Geared Wheel	23-07205-001	2
	Wheel Gear	23-05942-001	2
5590	Wheel Stud	22-09636-001	4
	Ball Bearing	6-30-050-206-0	4
5591	Snap Ring	22-06498-005	8
5592	Side Plate	23-06789-001	2
5593	Spacer Washer	22-07725-001	16
5594	Trolley Stud	22-03337-008	2
5597	Pinion	22-07687-007	1
SERIES B & C			
5587	Idler Wheels	23-07412-001	2
5588	Snap Rings	22-06498-005	4
5589	Geared Wheel	23-07480-001	2
	Wheel Stud	22-11043-001	4
5590	Wheel Bearing	6-30-042-206-0	4
	Snap Ring	22-06497-003	4
	Bearing Cap	22-08646-001	4
5591	Snap Ring	22-06498-005	4
5592	Geared Side Plate	24-05738-003	1
	Plain Side Plate	24-05738-004	1
5594	Trolley Stud	22-03337-001	2
5596	Key	6-11-024-034-0	1
5597	Drive Pinion	22-10985-002	1