

Repair Parts List

Key No.	Description	Part Numbers			Qty.
		1/2 Ton	1 Ton	2 Ton	
656-1	Gear Cover with Bushings	00400416	00400417	00400418	1
656-2	Gear Side Plate (includes Bushings and Bearing)	00400419	00400420	00400421	1
656-3	Side Plate Spacer	00400347	00400269	00400306	4
656-4	End Cover	00400355	00400267	00400305	2
656-5	Chain Guide	00400328	00400240	00400287	1
656-6	Stripper	00400327	00400229	00400280	1
656-7	Loose End Connector (includes Connector, Pin and Cotter Pin)	00400422	00400423	00400424	1
656-8	Liftwheel	00400334	00400236	00400283	1
656-9	Handwheel Side Plate (includes Bearing)	00400425	00400426	00400427	1
656-10	Drive Shaft	00400333	00400235	00400275	1
656-11	Liftwheel Gear and Snap Ring	00400428	00400429	00400430	1
656-12	Gear Set, 2 Gears	00400431	00400432	00400433	1
656-13	Upper Hook Block Assembly	00400344	00400272	00400281	1
656-14	Upper Hook Pin	00400354	00400270	00400307	1
656-15	Hook Latch Kit	00400449	00400450	00400451	2
656-16	Lower Hook Chain Pin and Nut	00400434	00400435	00400436	1
656-17	Lower Hook Block Assembly	00400342	00400274	00400309	1
656-18	Liftwheel Bearing	00400329	09151118	09151108	2
656-19	Cover Hardware Kit, 8 Screws	00400437	00400437	00400438	1
656-20	Brake Plate Hardware Kit, 3 Screws and Lockwashers	00400441	00400442	00400443	1
656-21	Spacer Kit, 2 Spacers	00400445	00400445	00400446	1
656-22	Brake Plate	00400341	00400230	00400282	1
656-23	Brake Disc	*	00400226	00400226	1
656-24	Brake Hub	00400364	00400238	00400285	1
656-25	Brake Spring	00400227	00400227	00400251	1
656-26	Handwheel Bushing	00400242	00400242	00400289	1
656-27	Handwheel	00400338	00400239	00400288	1
656-28	Load Chain - Specify Length Required	85834 (5 X 15 T(8))	85959 (6 X 18 T(8))	635131 (8 X 24 T(8))	---
656-29	Driver	00400361	00400243	00400290	1
656-30	Handwheel Nut	09115098	09115098	09115098	1
656-31	Hand Chain - Specify Length Required	04307654	04307654	04307654	---
656-32	Hand Chain Connecting Link	00404733	00404733	00404733	1
656-33	Hand Chain Guide	00400346	00400263	00400301	1
656-34	Handwheel Cover	00400348	00400264	00400302	1
656-35	Handwheel Cover Support	00400349	00400266	00400304	1
656-36	Handwheel Cap	00400415	00400415	00400415	1
656-37	Warning Tube	22296	22296	22296	1
656-38	Warning Label Kit, 3 Labels	56814	56815	56816	1
656-39	Nameplate Kit, Nameplate and 4 Drive Screws	00400439	00400440	00400444	1

* On 1/2 ton unit, Brake Disc is bonded to the Brake Hub.
Order Brake Hub 656-24, Part Number 00400364.

ORDERING INSTRUCTIONS

The following information must accompany all correspondence and orders for replacement parts:

1. Hoist rated load from nameplate.
2. Serial number of the hoist stamped on nameplate.
3. Length of lift.
4. Key number of part from parts list.
5. Number of parts required.
6. Part name from parts list.
7. Part number from parts list.

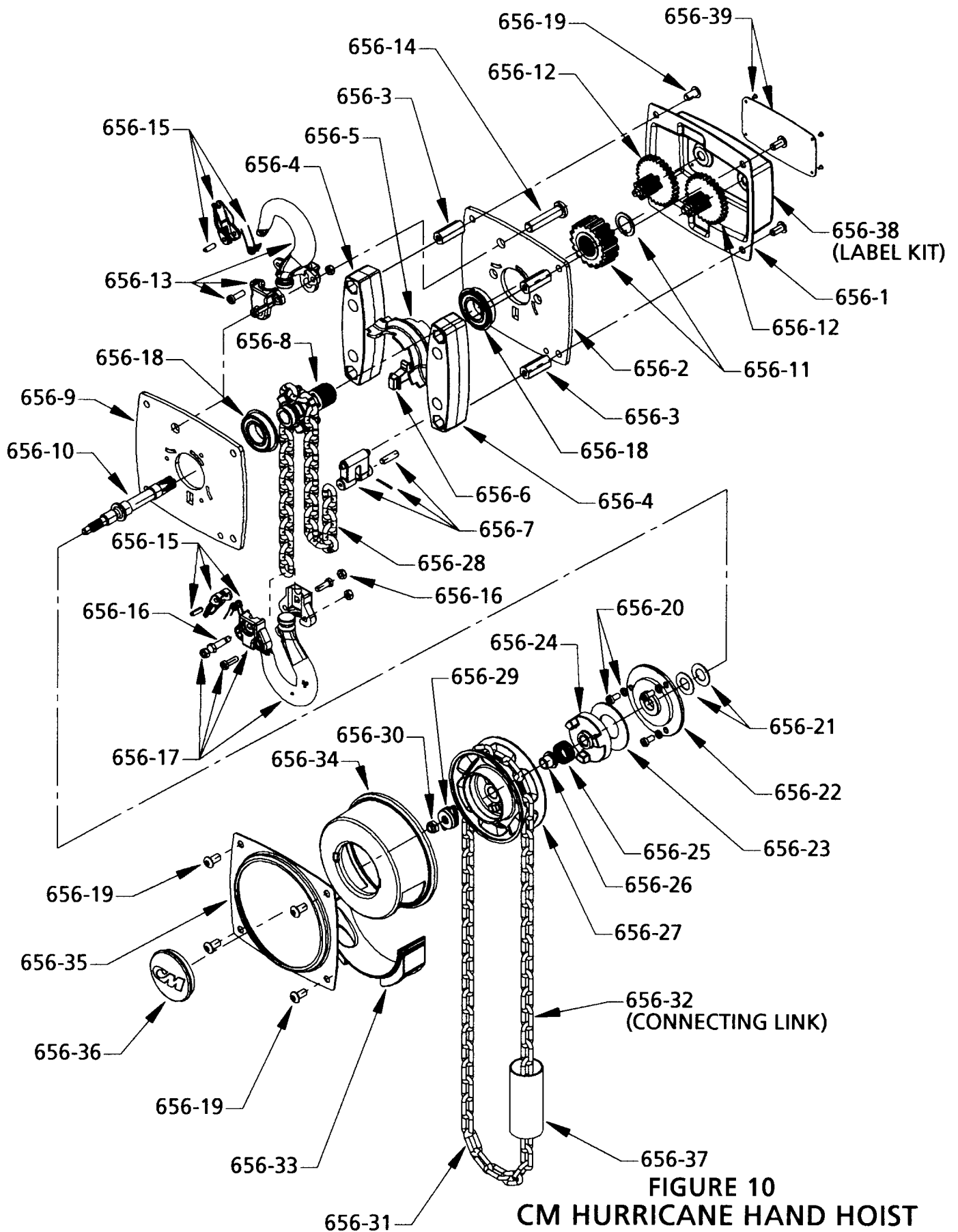


FIGURE 10
CM HURRICANE HAND HOIST
EXPLODED VIEW