

F3

REFERENCE

REFERENCE SHEET

OCTOBER 1980

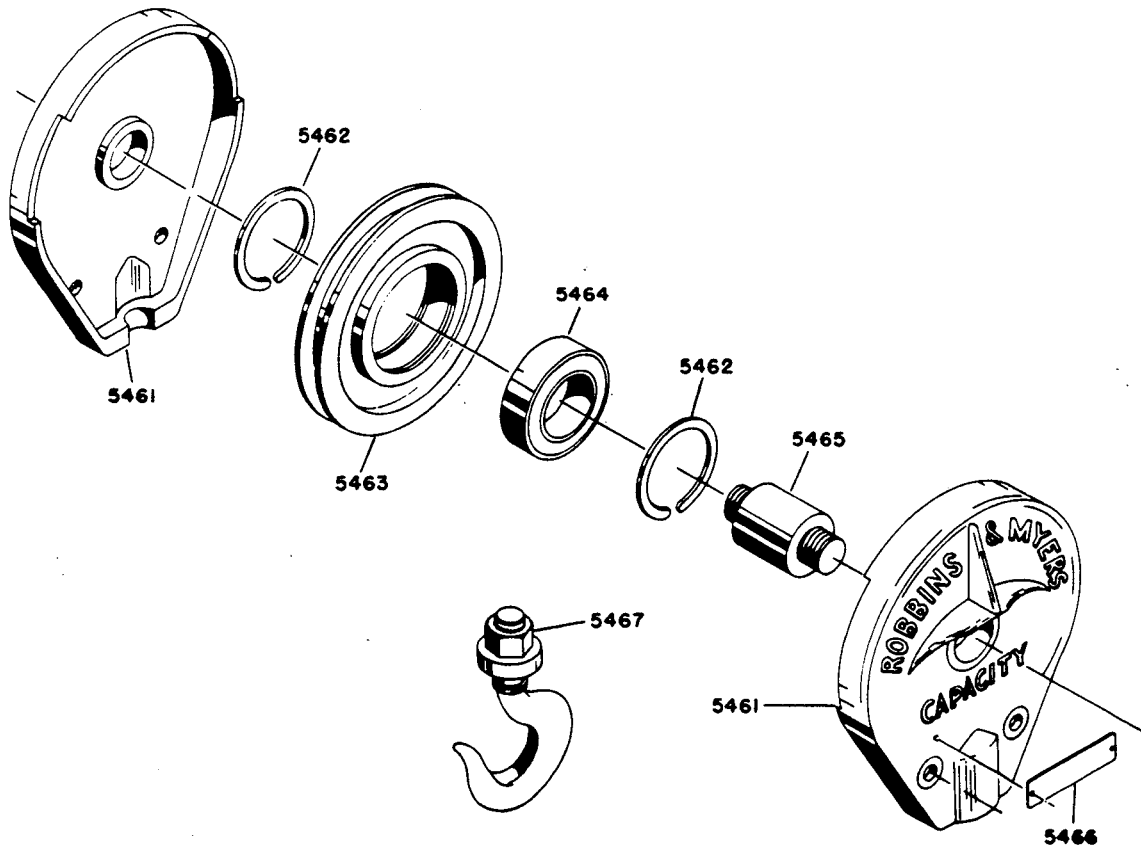
ITEM NUMBER	BASIC PARTS	SERIES						
		Y	Z	A	B	C	D	E
6650	Limit Spring	4-2	4-2	4-2	4-2	4-2	4-2	4-2
6660-6676	Trolley Motor Brake	BASIC SECTION						
7051-7055	Swivel Trolley Parts	6-10	6-10	6-10	6-10	6-10	6-10	6-10
7056-7080	Swivel Trolley Parts	6-13	6-13	6-13	6-13	6-13	6-13	6-13
8001-8034	Trolley Drive Motor (Rectangular Gear Box)	BASIC SECTION						
8280-8282	Wire Rope Anchor	7-1	7-1	7-1	7-1	7-1	7-1	7-1
8441-8455	6 Part Bottom Block	1-3	1-3	1-3	1-3	1-3	1-3	1-3

2 PART BOTTOM BLOCK
 SERIES A, B, C, D, E, Y, Z

F3

1-1

OCTOBER 1980



ITEM NUMBER	DESCRIPTION	PART NUMBER		QTY
		STD LIFT	LONG LIFT	
5460	Bottom Block (Less 5466)	25-01981-019	25-00076-011	1
5461	Sheave Frame	25-01982-001	23-06874-002	1
5462	Snap Ring	22-02244-007	22-06498-011	2
5463	Sheave	24-04332-001	24-00148-011	1
5464	Ball Bearing	6-30-050-208-1	6-30-050-310-1	1
5465	Sheave Pin	22-07224-002	23-00193-009	1
5466	Capacity Plate 1 1/2 Ton	22-06968-004	22-06968-004	2
	Capacity Plate 2 Ton	22-06968-006	22-06968-006	2
5467	Load Hook	23-00166-001	23-00109-016	1
	Hook Nut	6-14-007-010-0	6-14-007-010-0	1
	Thrust Bearing	6-30-161-016-0	6-30-161-016-0	1
	Safety Latch	22-09929-003	22-09929-003	1

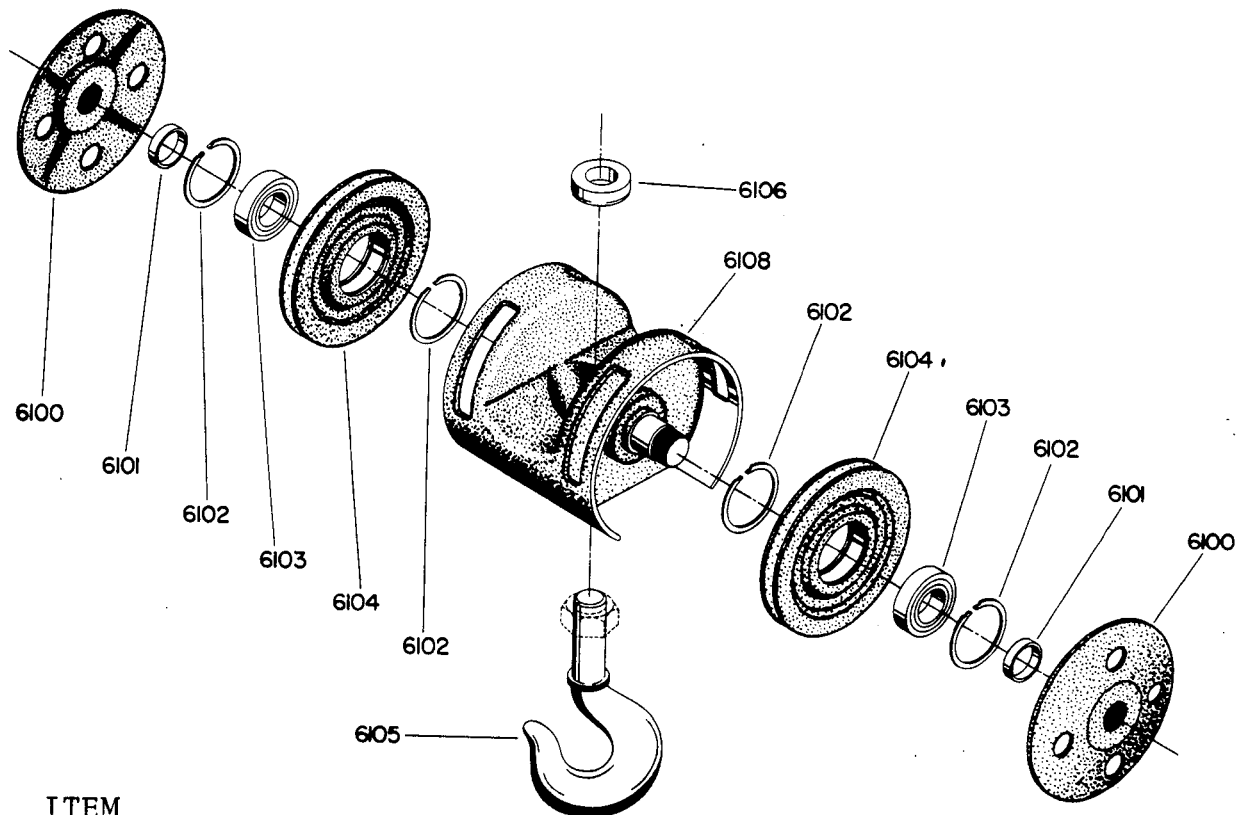
F3

4 PART BOTTOM BLOCK

1-2

SERIES A, B, C, D, E, Y, Z

OCTOBER 1980



ITEM NUMBER	DESCRIPTION	PART NUMBER	QUANTITY
6100	Sheave Cover 3 Ton	24-00117-001	2
	Sheave Cover 4 Ton	24-00116-001	2
	Sheave Cover 5 Ton	24-00117-003	2
6101	Spacer	22-00790-017	2
6102	Snap Ring	22-02244-007	4
6103	Ball Bearing	6-30-050-208-1	2
6104	Sheave	24-04332-001	2
6105	Load Hook	24-00114-001	1
	Hook Nut	6-14-007-013-0	1
6106	Thrust Bearing	6-30-160-022-0	1
*	Safety Latch (C-L Hooks)	22-09929-004	1
	Safety Latch (Vulcan Hooks)	22-09917-009	1
	Safety Latch (U-W Hooks)	22-11171-011	1
6108	Sheave Frame	25-00057-010	1
6109	Bottom Block Assy. 3 Ton	25-00059-031	1
	Bottom Block Assy. 4 Ton	25-00059-028	1
	Bottom Block Assy. 5 Ton	25-00059-026	1

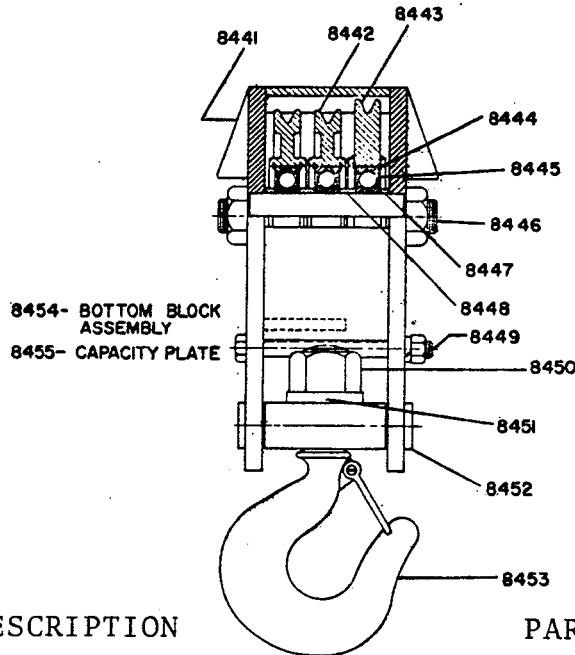
Note: Verify hook identifying markings with customer & supply corresponding latch kit when ordered separately.

6 PART BOTTOM BLOCK
 6 & 7½ TON
 SERIES A, B, C, D, E, Y, Z

F3

1-3

JULY, 1984



ITEM NUMBER	DESCRIPTION	PART NUMBER	QUANTITY
8441	Bottom Block Frame	24-05012-001	1
8442	Rope Sheaves	24-04332-001	2
8443	Rope Sheave	24-00148-010	1
8444	Snap Ring	22-02244-007	4
8445	Ball Bearing	6-30-050-208-1	3
8446	Sheave Pin and Hex Jam Nuts	22-07224-005 6-14-008-032-0	1 2
8447	Bearing Spacer	22-00790-020	2
8448	Bearing Spacer	22-00790-021	2
8449	Hex Head Bolt Lock Washer Hex Nut	22-09413-660 6-23-001-045-0 6-14-005-007-0	2 2 2
8450	Hex Nut	6-14-009-015-0	1
8451	Thrust Bearing	6-30-160-026-0	1
8452	Trunion	22-06283-006	1
8453	Load Hook Safety Latch	24-00146-001 22-09917-005	1 1
8454	Bottom Block Assembly	25-02444-002	1
8455	Capacity Plate 6 Ton Capacity Plate 7½ Ton	22-08964-702 22-08964-701	2 2

F3

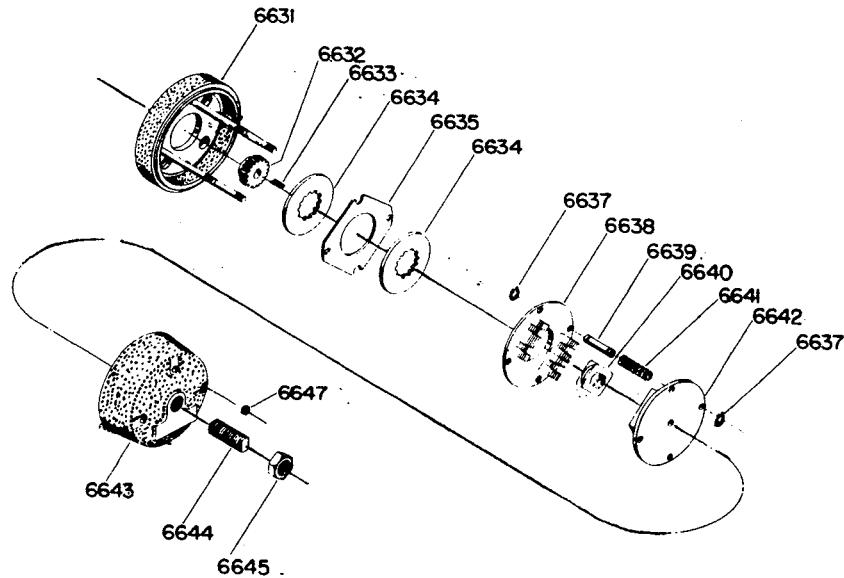
M5 BRAKE ASSY.

2-1

SINGLE SPEED

SERIES A, B, C, D, E, Y, Z

JULY, 1984



ITEM NUMBER	DESCRIPTION	PART NUMBER	QUANTITY
6648*	Assembly	27-15042-002	1
6631	Brake Head & Stud Assy.	23-08024-001	1
6632	Brake Hub	22-08000-020	1
6633	Key	6-11-024-044-0	1
6634	Friction Disc	22-07965-003	4
6635	Intermediate Thrust Plate	23-03648-011	3
6636	Brake Stud	23-03645-025	4
6637	Snap Ring	22-06497-032	8
6638	Pole Plate Assy.	23-06566-002	N/A
6639	Sleeve	22-09072-002	4
6640	Brake Coil 230V (2-Speed)	22-08269-001	2
	Brake Coil 115V (230/460V)	22-08269-002	2
	Brake Coil 290V (575V)	22-08269-004	2
6641	Spring	22-03615-007	4
6642	Armature Plate Assy.	23-06366-008	N/A
6643	Brake Cover	24-05014-004	1
6644	Adjustment Screw	22-03612-003	1
6645	Jam Nut	6-14-008-032-0	1
6647	Hex Nut	6-14-025-003-9	4

Refer to Page 11-4 of Brake Section for replacement parts.

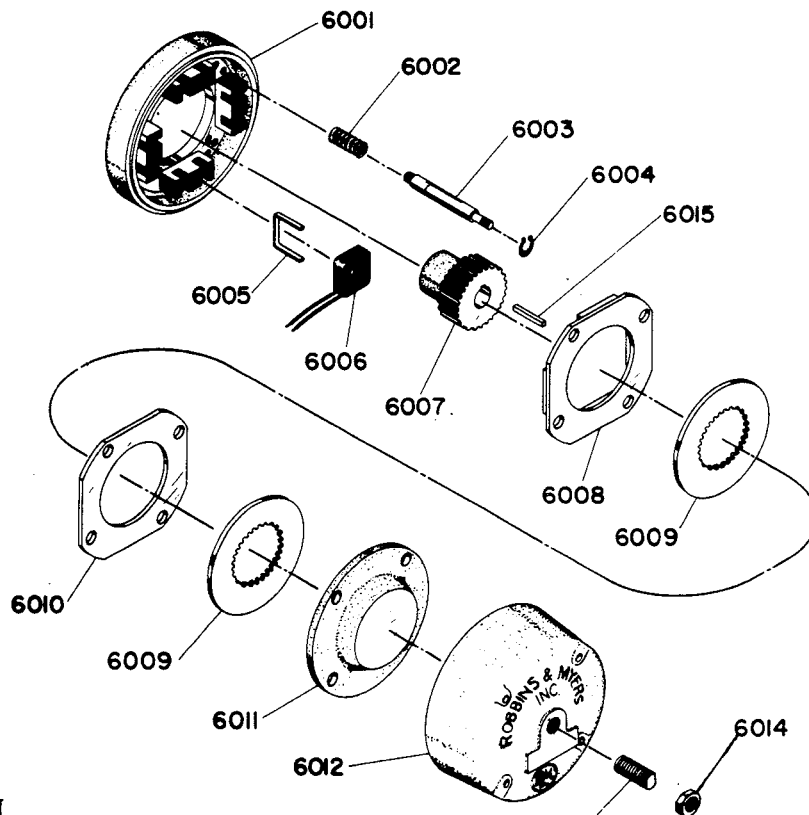
M7 BRAKE ASSY.

F3

SERIES A, B, C, D, E, Y, Z

2-2

OCTOBER 1980



ITEM NUMBER	DESCRIPTION	PART NUMBER	QUANTITY
6000	Brake Assy. Complete with 22-09373-002 Coils	27-15043-001	1
6001	Brake Head	24-04759-002	1
6002	Spring	22-03615-007	4
6003	Stud	23-03645-027	4
6004	Snap Ring	22-06497-032	4
6005	Coil Support	22-08471-001	4
6006	Coil 230V	22-09373-001	4
	Coil 115V	22-09373-002	4
	Coil 290V	22-09373-003	4
6007	Hub	23-06258-006	1
6008	Armature Plate Assy.	23-06098-005	1
6009	Friction Disc	22-03607-013	3
6010	Int. Thrust Plate	23-03648-012	2
6011	End Thrust Disc	24-04754-002	1
6012	Brake Cover	25-02207-003	1
6013	Adjustment Screw	22-03612-006	1
6014	Jam Nut	6-14-008-032-0	1

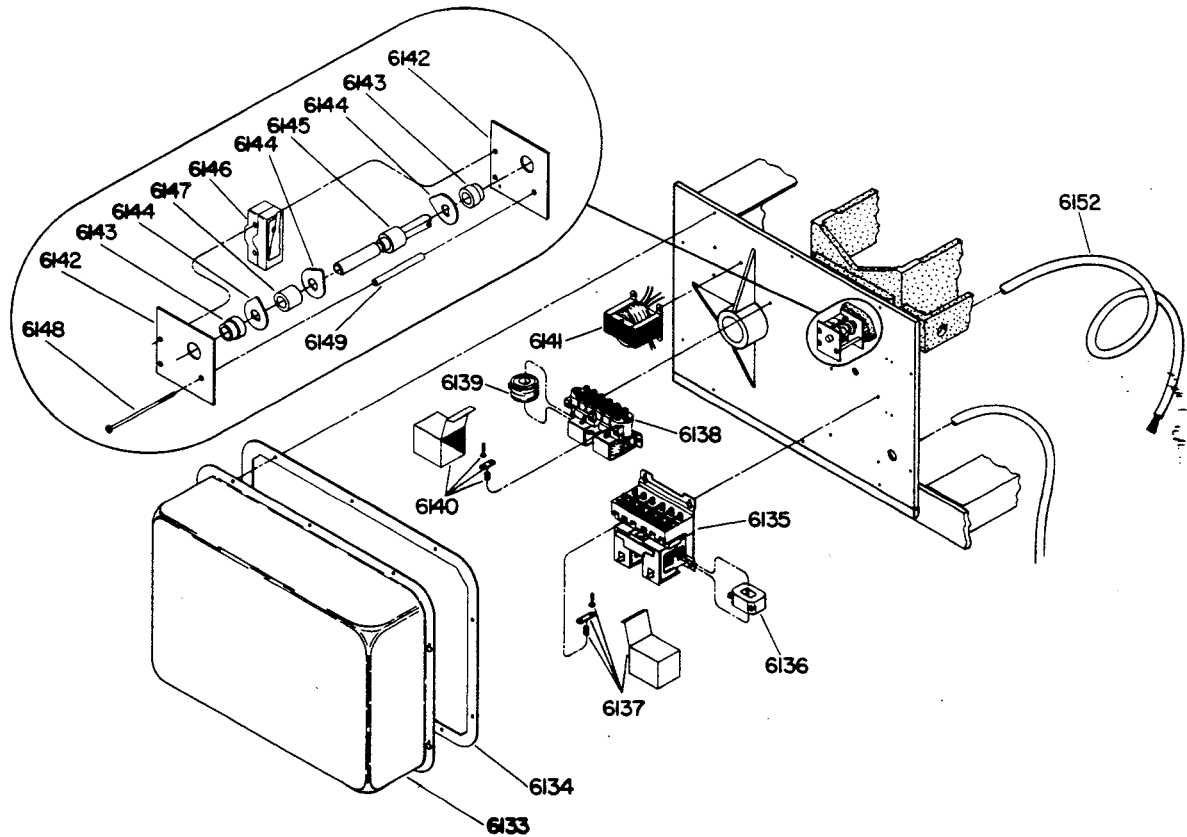
F3

CONTROL PANEL

3-1

SERIES A, B, C, D, E, Y, Z

OCTOBER 1980



ITEM NUMBER	DESCRIPTION	PART NUMBER	QUANTITY
6133	Control Cover	22-08426-001	1
6134	Cover Gasket	22-08544-001	1
6135	Hoist Controller		
	Series A,B,C,D,E,Y	22-07861-001	1
	Series Z*	22-10624-001	1
6136	Magnet Coil (Hoist Controller)		
	Series A,B,C,D,E,Y		
	24 Volt	22-07866-001	2
	115 Volt	22-07866-002	2
	Series Z		
	24 Volt	22-10623-003	2
	115 Volt	22-10623-004	2

*DO NOT RECOMMEND replacement of these controls - Use controls from Series C. Requires redrilling of mounting holes.

CONTROL PANEL
 SERIES A, B, C, D, E, Y, Z

F3
 3-2
 SEPT. 1981

ITEM	DESCRIPTION	PART NUMBER	QTY.
6137	CONTACT KIT (HOIST)		
	Series A, B, C, D, E, Y	22-07619-005	2
	Series Z	22-10624-020	1
6138	TROLLEY CONTROLLER		
	Series A, B	22-10501-003	1
	Series C, D, E	23-07623-001	1
	Series Y	22-09494-001	1
	Series Z	22-10623-001	1
6139	MAGNET COILS (TROLLEY CONTROLLER)		
	Series A, B		
	24 volt	22-10501-004	2
	115 volt	22-10501-005	2
	Series C, D, E		
	24 volt	22-10755-003	2
	115 volt	22-10755-004	2
	Series Y		
	24 volt	22-09507-006	2
	115 volt	22-09507-001	2
	Series Z		
	24 volt	22-10623-003	2
	115 volt	22-10623-004	2
6140	CONTACT KIT (TROLLEY)		
	Series A, B	22-10501-013	6
	Series C, D, E	23-07623-010	6
	Series Y	22-09509-001	6
	Series Z	22-10623-020	6
6141	TRANSFORMER		
	230/460V Pri. 115V Sec. 75 VA	23-07228-051	1
	575V Pri. 115V Sec. 75 VA	23-07228-052	1
	230/460V Pri. 24V Sec. 75 VA	23-07228-047	
	230/460V Pri. 115V Sec. 150 VA	23-07228-092	1
	575V Pri. 115V Sec. 150 VA	23-07228-093	1
6142	Side Plate	22-08535-001	2
6143	Bushing	22-08536-001	2
6144	Cam	22-08534-001	3
6145	Limit Shaft	22-08539-002	1
6146	Micro Switch	23-05987-003	3

F3

CONTROL PANEL

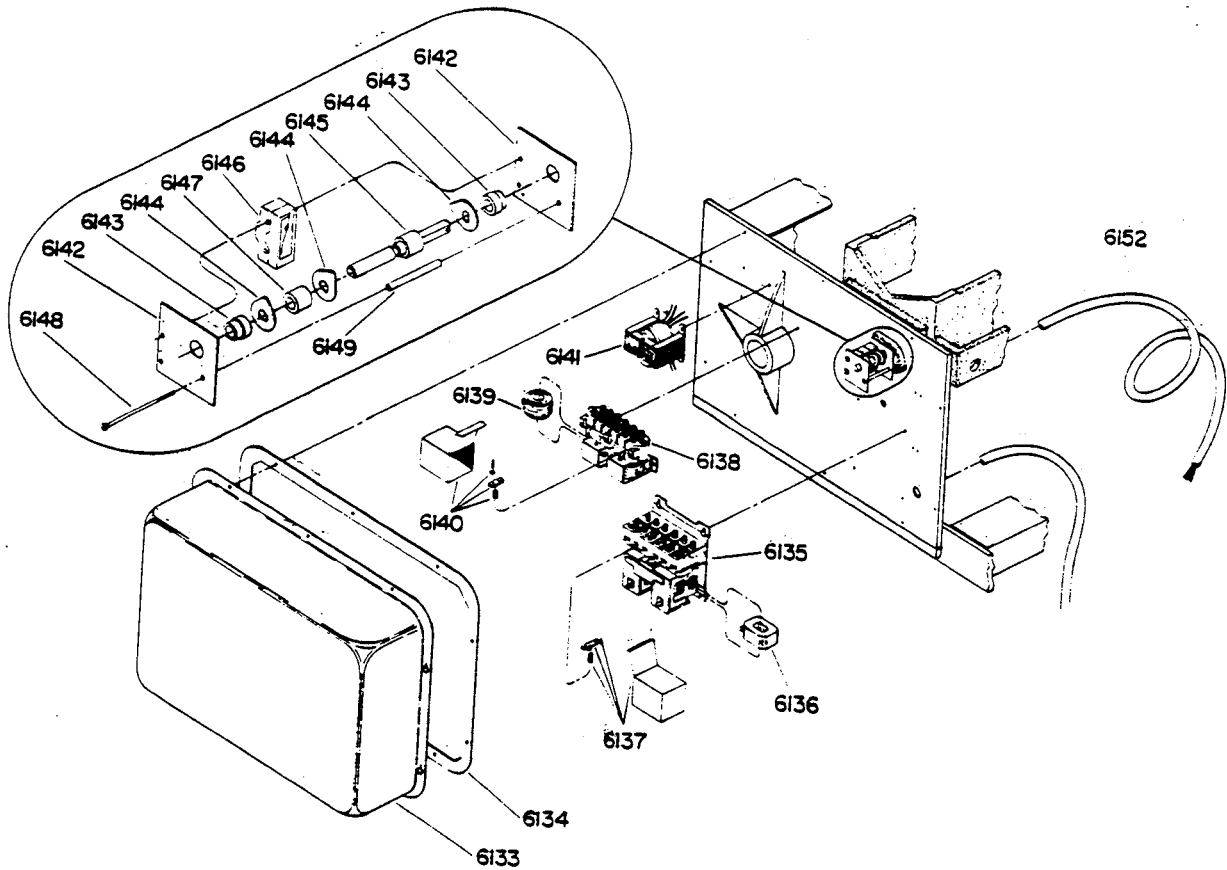
3-3

SERIES

A. B. C. D. E. Y. Z

SEPT. 1981

ITEM	DESCRIPTION	PART NUMBER	QTY.
6147	Spacer	22-08546-001	1
6148	Round Head Bolt	6-02-051-044-0	3
6149	Spacer	22-08540-002	1
6152	Main Line Cable #12-3 (length to suit)	22-04382-003	1



THIS PAGE LEFT BLANK INTENTIONALLY

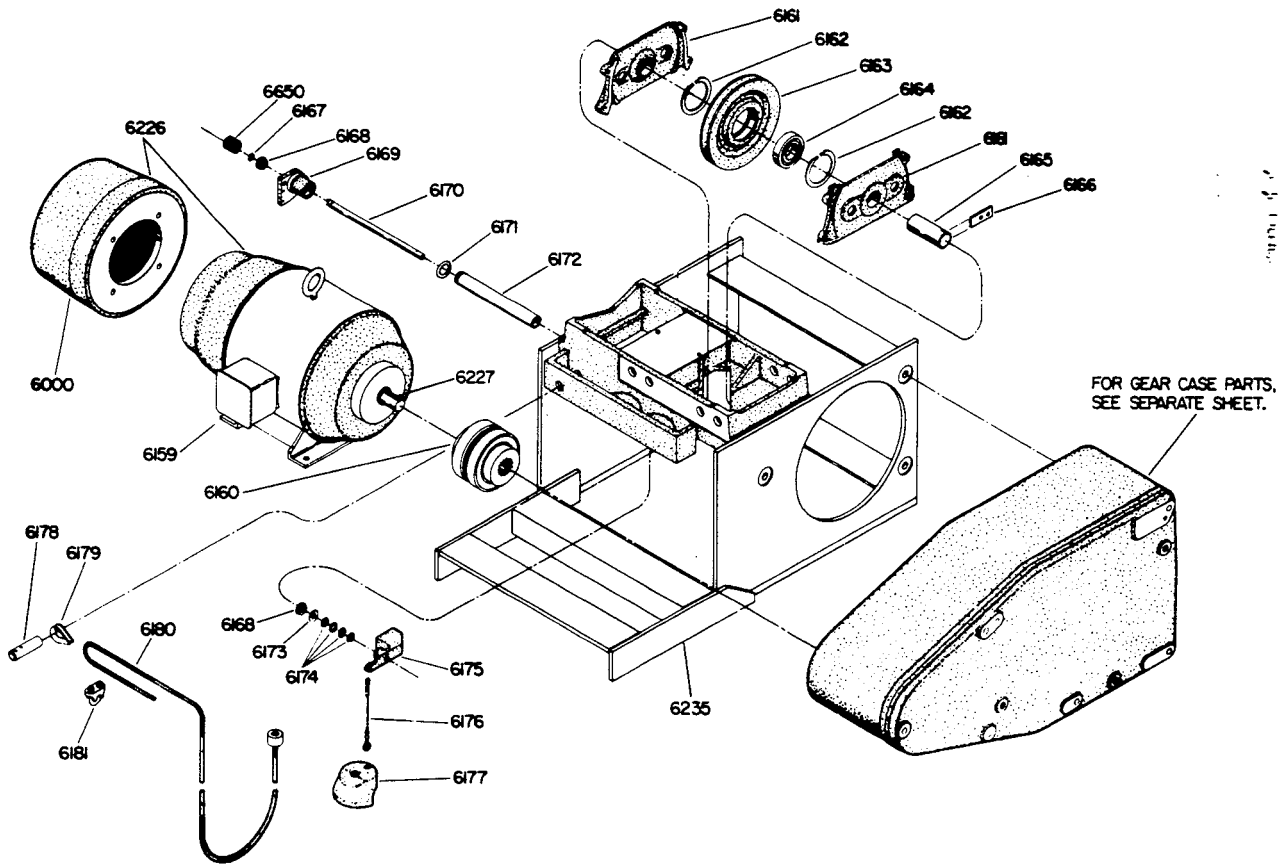
F3

HOIST FRAME COMPONENTS

4-1

SERIES A, B, C, D, E, Y, Z

SEPT. 1981



HOIST FRAME & COMPONENTS

F3

4-2

SERIES A, B, C, D, E, Y, Z

SEPT. 1981

ITEM	DESCRIPTION	PART NUMBER	QTY.
	HOIST MOTOR		
	230/460V 7½ HP	23-07705-002	1
	230/460V 5 HP	23-07761-002	1
6159	575V 7½ HP	23-07705-003	1
	575V 5 HP	23-07761-003	1
	230V 7½/2½ HP	23-07705-005	1
	460V 7½/2½ HP	23-07705-006	1
	MOTOR COUPLING		
	Sleeve & Cover	24-05909-001	1
6160	Splined Hub	24-05909-007	1
	Bored Hub	24-05909-017	1
6161	Equalizer Sheave Guard	24-00118-006	2
6162	Snap Ring	22-02244-007	2
6163	Equalizer Sheave	24-04332-001	1
6164	Ball & Bearing	6-30-050-208-1	1
6165	Sheave Pin	22-07224-003	1
6166	Keeper Plate	22-01800-004	1
6167	Snap Ring	22-06497-007	1
6168	Ball Bearing	6-30-102-007-0	2
6169	Mounting Bracket	22-08533-002	1
6170	CONSULT FACTORY		
6171	"O" Ring	22-08171-002	1
6172	Mounting Tube	CONSULT FACTORY	1
6173	Felt Washer	6-23-060-204-0	1
6174	Shim Washer	6-23-030-169-0	8
6175	Limit Counter Weight	23-06635-001	1
6176	Limit Cable Assembly	22-09092-001	1
6177	Limit Weight (4 & 6 Part Blocks)	23-02305-005	1
	Limit Weight (2 Part Blocks)	23-02305-017	1
6178	Dead End Pin	22-00103-010	1
6179	Rope Thimble	22-00547-001	1
6180	Wire Rope	SEE BASIC SECTION	
6181	Rope Clip	22-00545-001	3

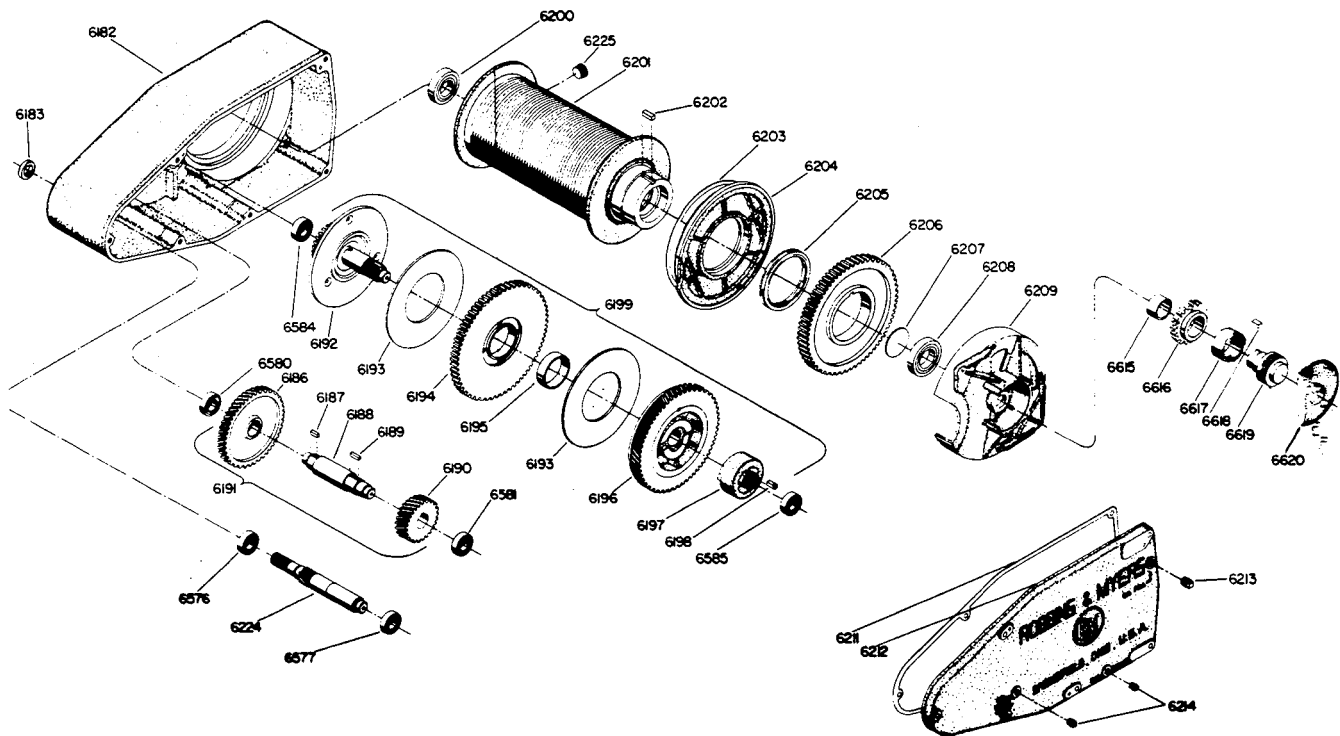
F3

GEAR CASE

5-1

SERIES A, B, C, D, E, Y, Z

SEPT. 1981



ITEM	DESCRIPTION	PART NUMBER	QTY.
6182	Gear Case	26-00476-004	1
6183	Oil Seal	22-02834-001	1
6186	Motor Gear		
	35, 25, 20, 18½, 15, 12 FPM	23-06026-001	1
	34, 22 FPM	23-06026-002	1
6187	Key	6-11-026-012-0	1
6188	Intermediate Shaft	23-05872-001	1
6189	Key	6-11-026-018-0	1
	Intermediate Pinion 33 FPM	24-04540-001	1
	Intermediate Pinion 25 FPM	24-04540-002	1
6190	Intermediate Pinion 20, 22 FPM	24-04540-003	1
	Intermediate Pinion 15, 34 FPM	24-04540-004	1
	Intermediate Pinion 12 FPM	24-04540-005	1
	Intermediate Pinion 18½ FPM	24-04540-007	1
6192	Thrust Disc & Shaft Assy.	24-04439-001	1
6193	Friction Disc	22-03228-001	2
6194	Ratchet Gear	24-00105-002	1
6195	Bushing	22-03234-001	1

GEAR CASE
 SERIES A, B, C, D, E, Y, Z

F3
 5-2
 SEPT. 1981

ITEM	DESCRIPTION	PART NUMBER	QTY.
INTERMEDIATE GEAR AND SPIDER			
6196	33 FPM	25-02993-001	1
	25 FPM	25-02993-002	1
	20, 22 FPM	25-02993-003	1
	15, 34 FPM	25-02993-004	1
	12 FPM	25-02993-006	1
	18½ FPM	25-02993-008	1
6197	Cam Nut	23-00146-001	1
6198	Cam Nut Key	22-00483-001	1
6199	Load Brake Assembly 20 FPM	23-04870-003	1
6200	Ball Bearing	6-30-050-211-1	1
6201	Rope Drum	CONSULT FACTORY	1
6203	End Shield Gasket	23-01467-004	1
6204	End Shield	25-00051-001	1
6205	Oil Seal	22-02217-001	1
6206	Drum Gear	23-05878-001	1
6207	Welch Plug	22-00398-001	1
6208	Ball Bearing	6-30-041-211-0	1
6209	Drum Spider	25-00052-002	1
6211	Cover Gasket	24-00108-003	1
6212	Gear Case Cover	25-02097-007	1
6213	Vented Pipe Plug	22-02642-002	1
6214	Pipe Plug	6-10-012-003-1	2
6224	MOTOR EXTENSION SHAFT		
	35, 25, 20, 18½, 15, 12 FPM	23-06025-003	1
	34, 22 FPM	23-06025-004	1
6225	Pipe Plug	6-10-014-008-1	1
6576	Ball Bearing	6-30-041-206-0	1
6577	Ball Bearing	6-30-041-206-0	1
6580	Ball Bearing	6-30-041-206-0	1
6581	Ball Bearing	6-30-041-206-0	1
6584	Ball Bearing	6-30-041-206-0	1
6585	Ball Bearing	6-30-041-206-0	1
6615	Bushing	22-02829-003	1
6616	Clutch Gear	23-06741-004	1
6617	Spring	22-09561-002	1
6618	Key	22-00482-015	1
6619	Shaft	23-06740-003	1
6620	Cover	24-05349-001	1

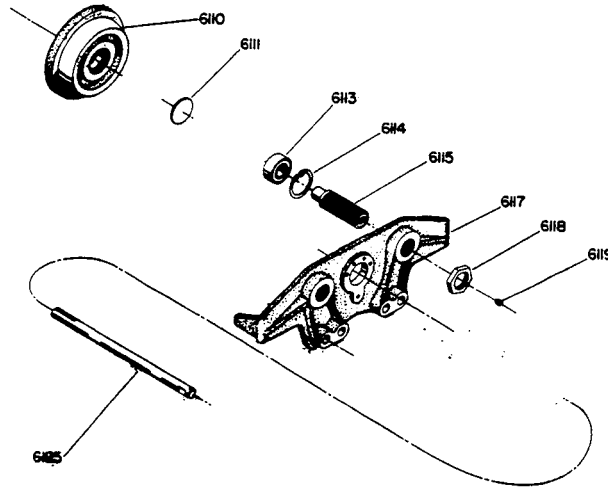
F3

6-1

SEPT. 1981

"B" TYPE TROLLEY

SERIES A, Y, Z



----- 5 T O N -----

ITEM	DESCRIPTION	PART NUMBER	QTY.
6110	Idler Wheel	23-03228-001	4
6111	Welch Plug	22-00504-001	4
6113	Ball Bearing	6-30-082-207-0	4
6114	Snap Ring	22-06498-015	4
6115	Wheel Stud	23-03230-001	4
6117	Side Frame	24-04901-001	2
6118	Lock Collar	22-00410-001	4
6119	Grease Fitting	22-02503-001	4
6125	Trolley Stud	22-03337-002	4

----- 7½ T O N -----

ITEM	DESCRIPTION	PART NUMBER	QTY.
6110	Idler Wheel	24-02801-001	4
6111	Welch Plug	22-00504-001	4
6113	Ball Bearing	6-30-082-207-0	4
6114	Snap Ring	22-06498-015	4
6115	Wheel Stud	23-03230-015	4
6117	Idler Side Frame	24-05153-001	2
6118	Lock Collar	22-00117-001	4
6119	Grease Fitting	22-02503-001	4
6124	Trolley Stud	22-03338-003	4

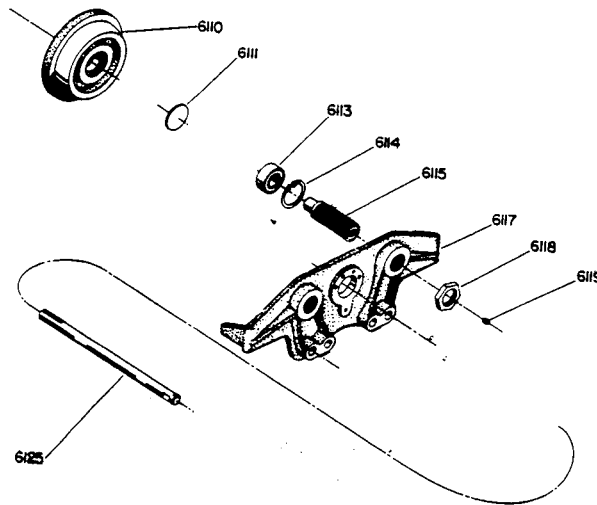
"B" TYPE TROLLEY

SERIES B, C, D, E

F3

6-2

SEPT. 1981



----- 5 T O N -----

ITEM	DESCRIPTION	PART NUMBER	QTY.
6110	Idler Wheel	23-07542-001	4
6113	Ball Bearing	6-30-042-207-0	8
*	Snap Ring	22-06497-029	4
6114	Snap Ring	22-06498-015	4
6115	Wheel Stud	22-11113-001	4
6117	Idler Side Frame	24-05763-002	2
*	Cap Screw	6-19-155-044-1	4
*	Lock Washer	6-23-001-043-0	4
*	Nut	6-14-005-005-0	4
6124	Trolley Stud	22-03337-017	4

----- 7½ T O N -----

ITEM	DESCRIPTION	PART NUMBER	QTY.
6110	Idler Wheel	23-07177-017	4
6113	Ball Bearing	6-30-042-209-0	8
*	Snap Ring	22-06497-034	4
6114	Snap Ring	22-06498-022	4
6115	Wheel Stud	23-05077-008	4
6117	Side Frame	24-05784-002	2
6118	Lock Collar	22-00490-001	8
6124	Trolley Stud	22-03338-004	4

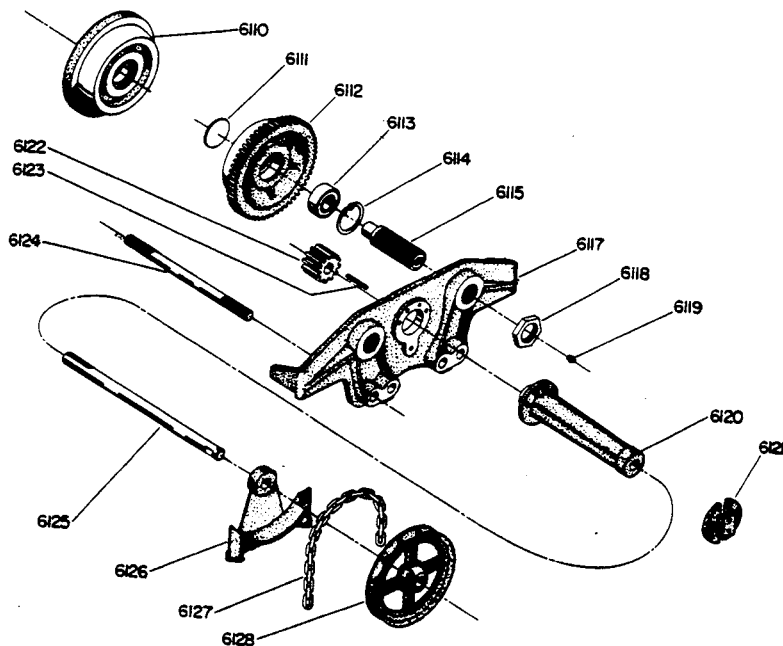
F3

"BG" TYPE TROLLEY - 5 TON

6-3

SERIES A, Y, Z

SEPT. 1981



ITEM	DESCRIPTION	PART NUMBER	QTY.
6110	Idler Wheel	23-03228-001	2
6111	Welch Plug	22-00504-001	4
6112	Geared Wheel	23-03229-001	2
6113	Ball Bearing	6-30-082-207-0	4
6114	Snap Ring	22-06498-015	4
6115	Wheel Stud	23-03230-001	4
6117	Side Frame	24-04901-001	2
6118	Lock Collar	22-00410-001	4
6119	Grease Fitting	22-02503-001	4
6120	Handwheel Shaft Tube	23-06417-001	1
6121	Collector Bar Bracket	23-05110-001	1
6122	Pinion	22-03256-037	1
6123	Key	6-11-024-024-0	1
6124	Trolley Stud	22-03337-002	4
6125	Handwheel Shaft	22-03340-002	1
6126	Chain Guard	24-00109-003	1
6127	Hand Chain**	22-00005-001	1
6128	Hand Wheel	24-00023-001	1

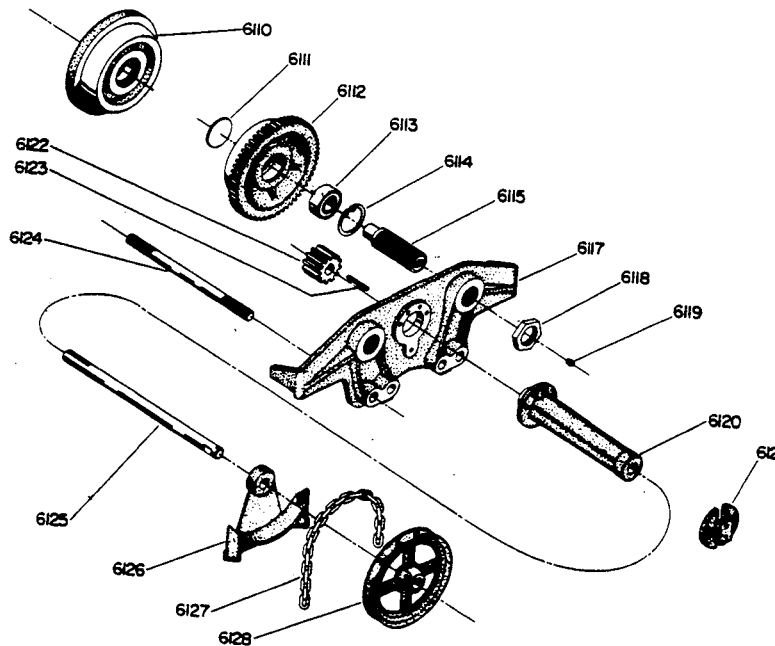
** Length dependent on lift of hoist

"BG" TYPE TROLLEY - 5 TON
 SERIES B, C, D, E

F3

6-4

SEPT. 1981



ITEM	DESCRIPTION	PART NUMBER	QTY.
6110	Idler Wheel	23-07542-001	2
6112	Geared Wheel Assembly	23-07480-003	2
6113	Ball Bearing	6-30-042-207-0	8
*	Snap Ring	22-06497-029	4
6114	Snap Ring	22-06498-015	4
6115	Wheel Stud	22-11113-001	4
6117	Geared Side Frame	24-05763-001	1
6117	Idler Side Frame	24-05763-002	1
*	Cap Screw	6-19-155-044-1	4
*	Lock Washer	6-23-001-043-0	4
*	Nut	6-14-005-005-0	4
6120	Shaft Bracket	23-07484-002	1
6122	Pinion	22-10985-002	1
6123	Key	6-11-024-034-0	1
6124	Trolley Stud	22-03337-017	4
6125	Handwheel Shaft	23-07485-002	1
6126	Chain Guard	24-00109-007	1
6127	Hand Chain**	22-00005-001	1
6128	Hand Wheel	24-00023-017	1

* Not shown

** Length dependent on lift of hoist

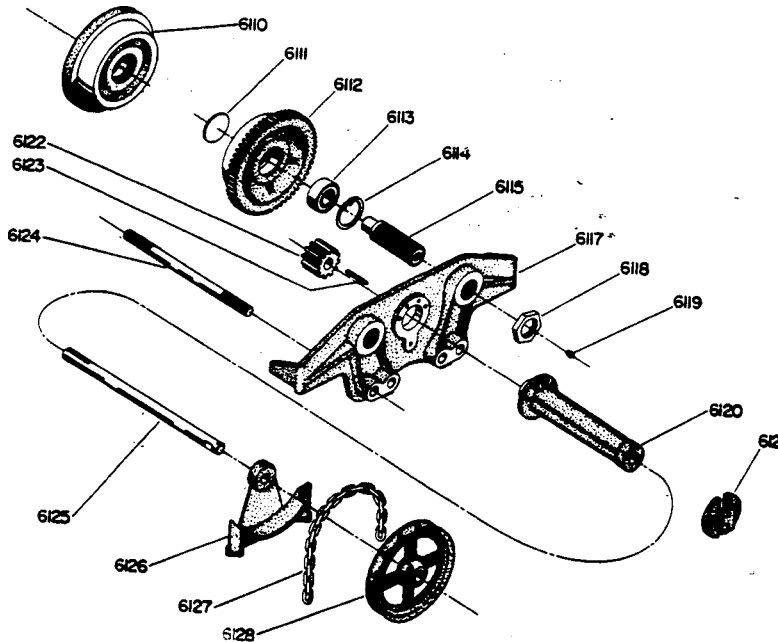
F3

"BG" TYPE TROLLEY - 7½ TON

6-5

SERIES A, Y, Z

SEPT. 1981



ITEM	DESCRIPTION	PART NUMBER	QTY.
6110	Idler Wheel	24-02801-001	2
6111	Welch Plug	22-00504-001	4
6112	Geared Wheel	24-02802-001	2
6113	Ball Bearing	6-30-082-207-0	4
6114	Snap Ring	22-06498-015	4
6115	Wheel Stud	23-03230-015	4
6117	Idler Side Frame	24-05153-001	1
6117	Geared Sider Frame	24-05153-003	1
6118	Lock Collar	22-00117-001	4
6119	Grease Fitting	22-02503-001	4
6122	Pinion	22-03256-002	1
6123	Key	6-11-024-024-0	1
6124	Trolley Stud	22-03338-003	4
6125	Handwheel Shaft	22-03340-001	1
6126	Handwheel Guard	24-00109-003	1
6127	Hand Chain **	22-00005-001	1
6128	Hand Wheel	24-00023-001	1

** Length dependent on lift of hoist

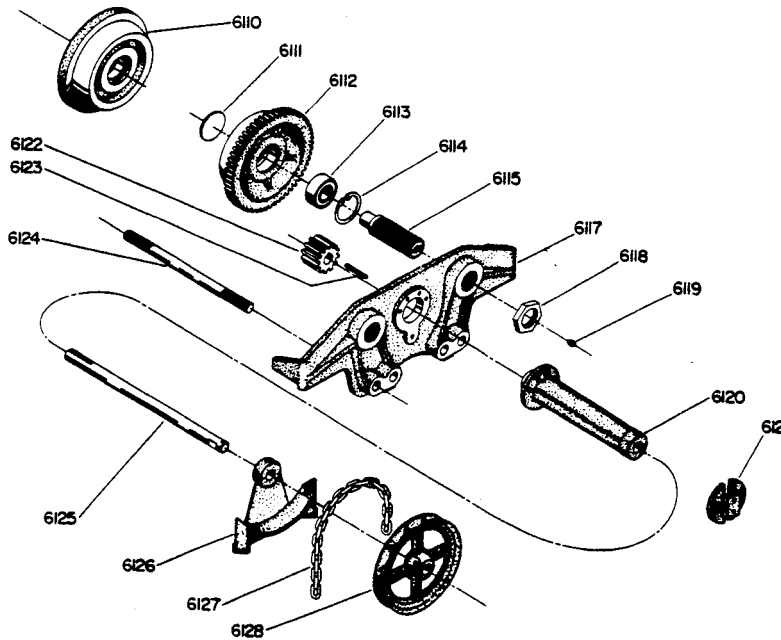
"BG" TYPE TROLLEY - 7½ TON

SERIES B, C, D, E

F3

6-6

SEPT. 1981



ITEM	DESCRIPTION	PART NUMBER	QTY.
6110	Idler Wheel	23-07177-017	2
6112	Geared Wheel Assembly	23-07480-004	2
6113	Ball Bearing	6-30-042-209-0	8
*	Snap Ring	22-06497-034	4
6114	Snap Ring	22-06498-022	4
6115	Wheel Stud	23-05077-008	4
6117	Geared Side Frame	24-05784-001	1
6117	Idler Side Frame	24-05784-002	1
6118	Lock Collar	22-00490-001	8
6120	Shaft Bracket	23-07484-003	1
6122	Pinion	22-10985-003	1
6123	Key	6-11-024-034-0	1
6124	Trolley Stud	22-03338-004	4
6125	Handwheel Shaft	23-07485-003	1
6126	Handwheel Guard	24-00217-004	1
6127	Hand Chain **	24-00005-001	1
6128	Hand Wheel	24-00216-026	1

* Not shown

** Length dependent on lift of hoist

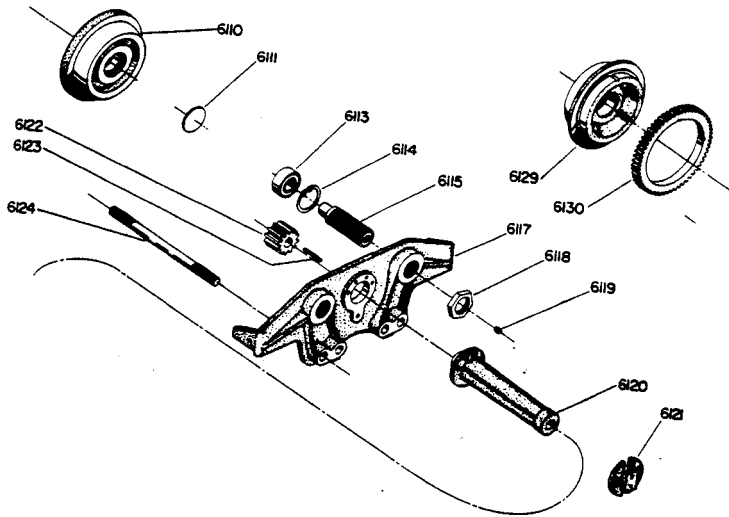
F3

6-7

SEPT. 1981

"M" TYPE TROLLEY

SERIES A, Y, Z



----- 5 T O N -----

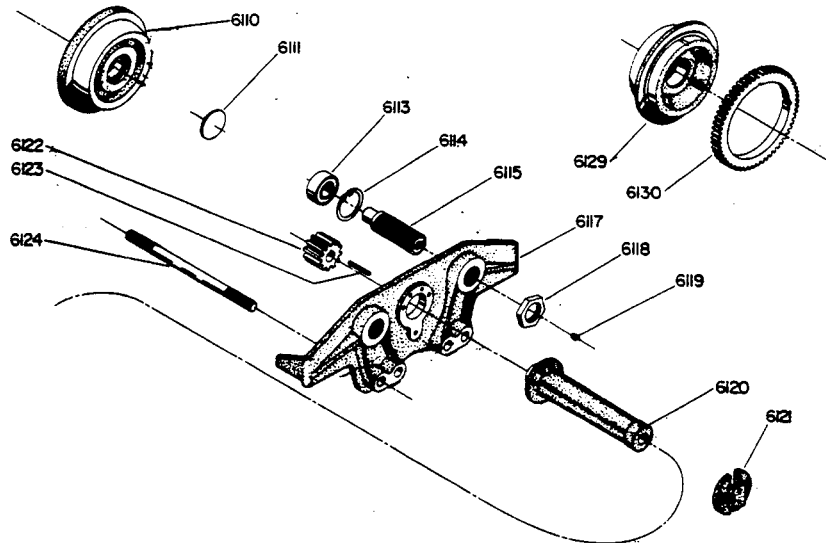
ITEM	DESCRIPTION	PART NUMBER	QTY.
6110	Idler Wheel	23-07177-001	2
6111	Bearing Seal	22-08646-003	4
6113	Ball Bearing	6-30-082-207-0	4
6114	Snap Ring	22-06498-015	4
6115	Wheel Stud	23-03230-001	4
6117	Side Frames	24-04901-001	2
6118	Lock Collar	22-00410-001	8
6119	Grease Fitting	22-02503-001	4
6122	Drive Pinion	22-03256-029	1
6124	Trolley Stud	22-03337-004	4
6129	Geared Wheel	23-07178-001	2
6130	Wheel Gear	23-05097-003	2

----- 7½ T O N -----

6110	Idler Wheel	24-05550-001	2
6111	Bearing Seal	22-08646-003	4
6113	Ball Bearing	6-30-082-207-0	4
6114	Snap Ring	22-06498-015	4
6115	Wheel Stud	23-03230-015	4
6117	Idler Side Frame	24-05153-001	1
6117	Geared Side Frame	24-05153-002	1
6118	Lock Collar	22-00117-001	4
6119	Grease Fitting	22-02503-001	4
6122	Pinion	22-03256-029	1
6124	Trolley Stud	22-03338-004	4
6129	Geared Wheel	24-05551-001	2
6130	Wheel Gear	23-05097-002	2

"M" TYPE TROLLEY - 5 TON
 SERIES B, C, D, E

F3
 6-8
 SEPT. 1981



ITEM	DESCRIPTION	PART NUMBER	QTY.
6110	Idler Wheel	23-07542-001	2
6112	Geared Wheel Assembly	23-07480-003	2
6113	Ball Bearing	6-30-042-207-0	8
6114	Snap Ring	22-06497-029	4
6114	Snap Ring	22-06498-015	4
6115	Wheel Stud	22-11113-001	4
6117	Geared Side Frame	24-05763-001	1
6117	Idler Side Frame	24-05763-002	1
*	Cap Screw	6-19-155-044-1	4
*	Lock Washer	6-23-001-043-0	4
*	Nut	6-14-005-005-0	4
6121	Clamp Plate	22-11044-002	1
6122	Pinion	22-10985-002	1
6123	Key	6-11-024-034-0	1
6124	Trolley Stud	22-03337-017	4

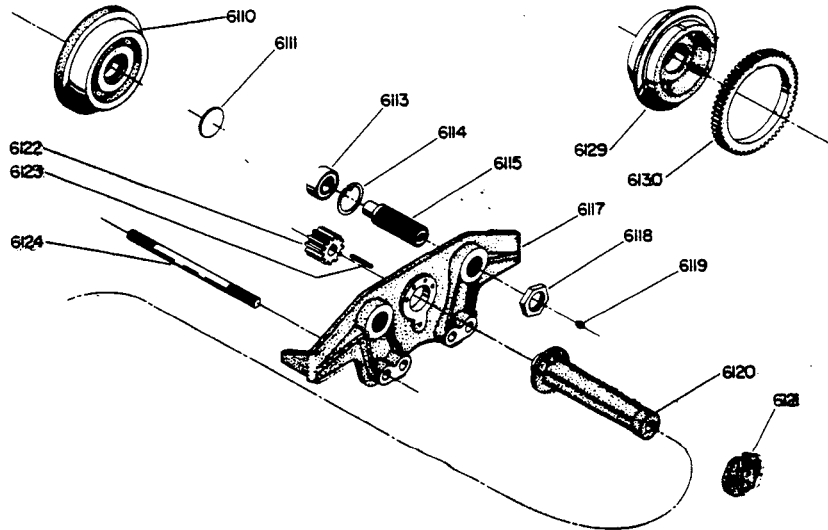
F3

"M" TYPE TROLLEY - 7½ TON

6-9

SERIES B & C

SEPT. 1981



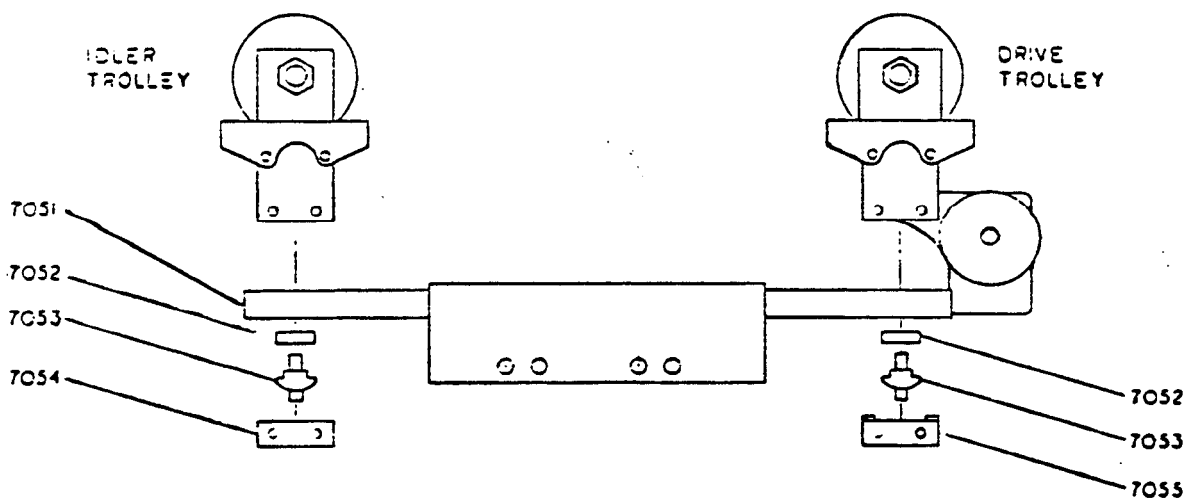
ITEM	DESCRIPTION	PART NUMBER	QTY.
6110	Idler Wheel	23-07177-017	2
6112	Geared Wheel Assembly	23-07480-004	2
6113	Ball Bearing	6-30-042-209-0	8
6114	Snap Ring	22-06497-034	4
6114	Snap Ring	22-06498-022	4
6115	Wheel Stud	23-05077-008	4
6117	Geared Side Frame	24-05784-001	1
6117	Idler Side Frame	24-05784-002	1
6118	Lock Collar	22-00490-001	8
6121	Clamp Plate	22-11044-002	1
6122	Pinion	22-10985-003	1
6123	Key	6-11024-034-0	1
6124	Trolley Stud	22-03338-004	4

SWIVEL TROLLEY PARTS

F2

6-10

SEPT. 1981



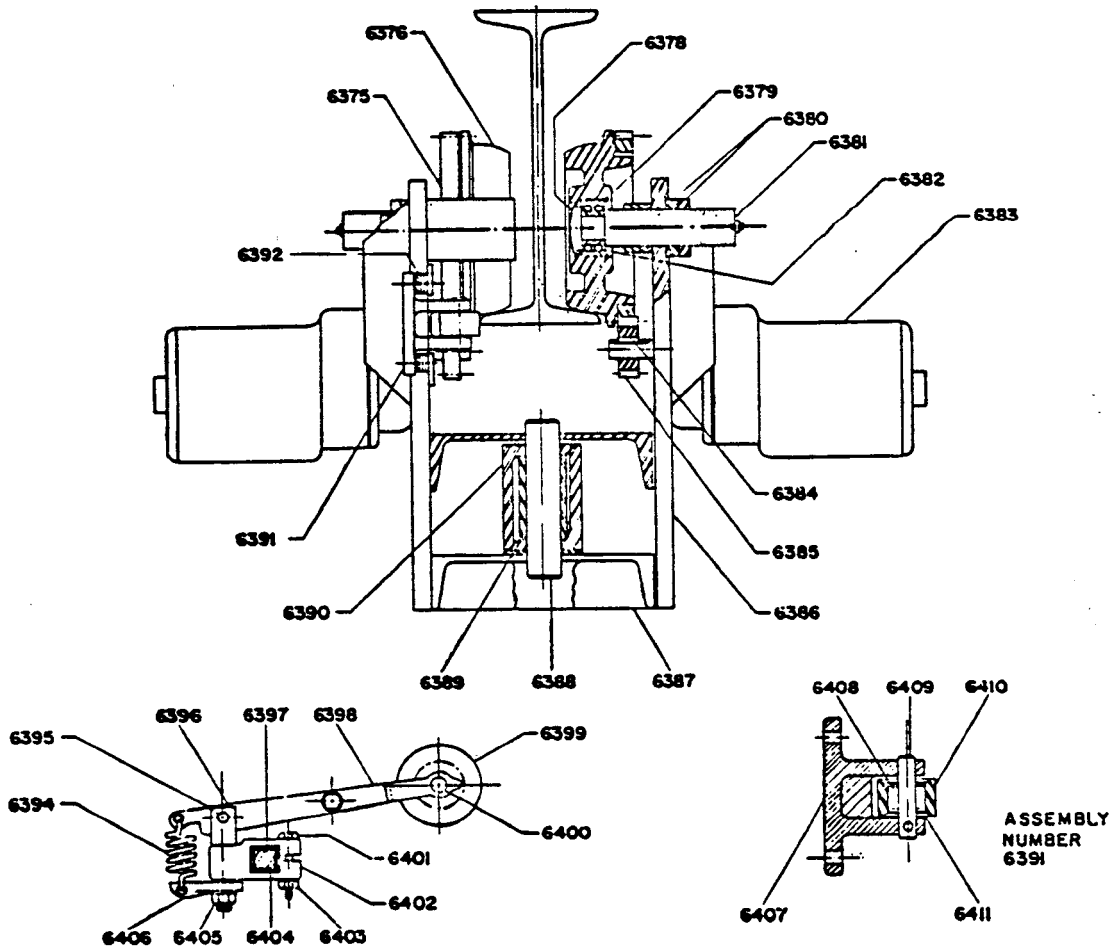
ITEM	DESCRIPTION	PART NUMBER	QTY.
7051	Swivel Adapter	23-07450-001	1
7052	Thrust Bearing	6-30-161-018-0	2
7053	Thrust Washer Assembly	22-010984-001	2
7054	Idler Swivel Seat	23-07444-007	1
7055	Driver Swivel Seat	23-07445-007	1

F3

6-11

MDS TROLLEY PARTS

SEPT. 1981



ITEM	DESCRIPTION	PART NUMBER	QTY.
6375	Wheel Gear	23-05097-003	2
6376	Geared Wheel	23-07178-001	2
6378	Bearing Seal	22-08646-003	4
6379	Snap Ring	22-05498-015	4
6380	Lock Collar	22-00410-001	8
6381	Wheel Stud	23-03230-001	4
6382	Ball Bearing	6-30-082-207-0	4
6383	See Separate Sheet (Motor)		
6384	Key	6-11-004-032-0	1
6385	Pinion	22-03265-029	2
6386	Trolley Side Frame (Geared)	25-01637-021	1
6387	Spacers	22-03349-003	2

MDS TROLLEY PARTS

6-12

SEPT. 1981

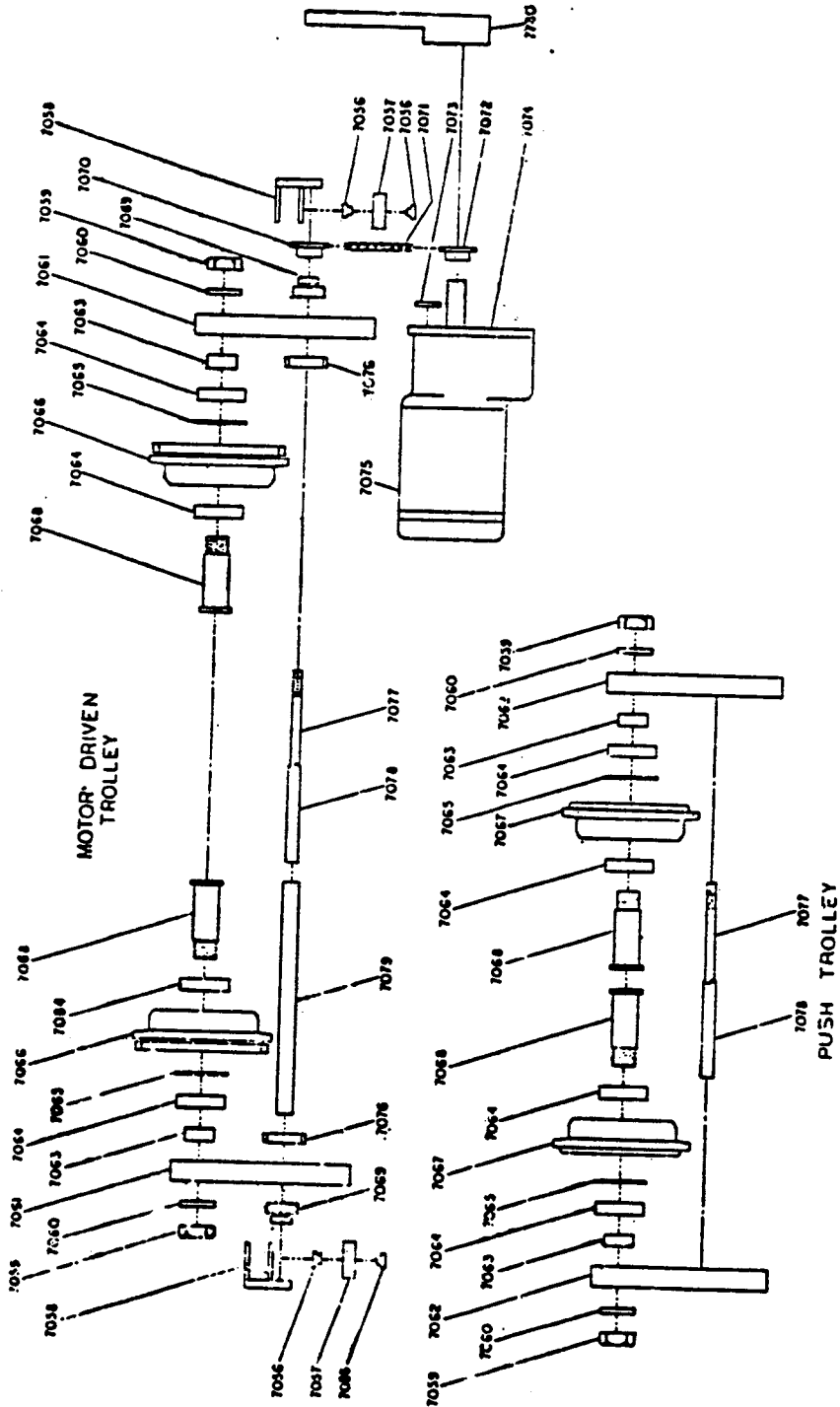
ITEM	DESCRIPTION	PART NUMBER	QTY.
6388	Load Pin	22-04684-002	2
6389	Bearing Washer	22-02574-001	2
6390	Load Bar	24-03671-012	1
6391*	Side Roller Assembly	23-06370-001	8
6392	Spacers	22-01180-049	4
6393	Collector Assembly (doesn't include mounting bar or insulators)	24-04550-005	1
6394	Tension Spring	22-00088-001	1
6395	Harp	22-00089-001	1
6396	Hard Yoke	22-07822-001	1
6397	Collector Bar	22-00770-001	1
6398	Harp	23-05034-001	1
6399**	Collector Wheels	22-00092-008	1
6400	Wheel Pin	22-00094-005	1
6401	Hex Nut	6-19-151-010-1	1
6402	Swivel Bracket	22-07821-001	1
6403	Hex Nut	6-14-001-009-1	1
6404	Insulation	22-00339-001	1
6405	Hex Nut	6-14-001-011-1	1
6406	Spring Anchor Lug	22-07825-001	1
6407	Side Roller Bracket	23-04197-001	1
6408	Roller Bearing	6-30-156-008-0	1
6409	Roller Pin	22-01985-023	1
6410	Side Roller	22-00020-002	1
6411	Retainer Washer	22-00019-001	2
6412	Plain Wheel (not shown)	23-07177-001	2

* Use this number when order complete assembly.

** Requires bushing 22-09048-001 when replacing collector wheels.

SWIVEL TROLLEY PARTS

SEPT. 1981



SWIVEL TROLLEY PARTS

6-13

SEPT. 1981

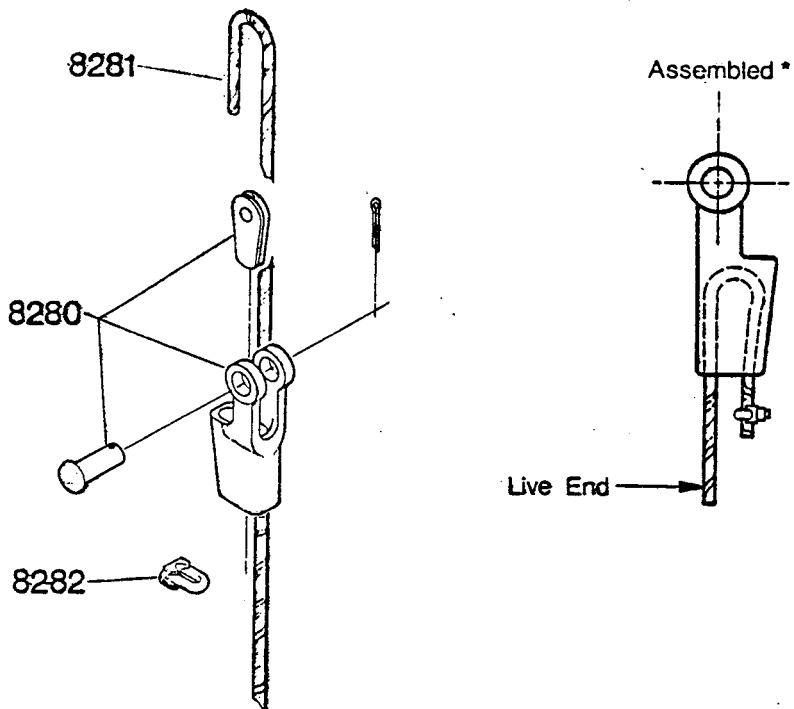
ITEM	DESCRIPTION	PART NUMBER	QTY.
7056	Side Roller Spacer	22-08916-012	4
7057	Guide Roller	22-10987-001	8
7058	Side Roller Bracket	23-07442-001	4
7059	Hex Nut	6-14-008-032-0	4
7060	Lock Washer	6-23-001-045-1	8
7061	Geared Side Plate	23-07441-002	2
7062	Idler Side Plate	23-07441-001	2
7063	Spacer	22-10988-001	4
7064	Bearing	22-10979-001	2
7065	Snap Ring	22-06498-015	2
7066	Geared Wheel Assembly (6½ crowned tr)	23-07481-001	2
7067	Idler Wheel (6½ crowned tr)	23-07180-019	2
7068	Wheel Stud	22-10981-001	4
7069	Ball Bearings	6-30-042-207-0	4
7070	Cross Shaft Sprocket	22-09342-017	1
7071	Roller Chain	22-08340-008	1
7072	Motor Shaft Sprocket	22-08342-027	1
7073	Clamp Plate	22-10980-001	1
7074	Motor Mounting Plate	23-07449-005	1
7075	Trolley Motor (see separate sheet)		
7076	Pinions	22-10985-001	2
7077	Stud	22-03337-001	4
7078	Pipe Spacer	22-02288-035	4
7079	Cross Shaft	22-10978-001	1
7080	Chain Guard	23-07443-001	1

F3

7-1

WIRE ROPE ANCHOR

SEPT. 1981



ITEM	DESCRIPTION	PART NUMBER
8280	Wire Rope Anchor	22-11417-001
	Decal	22-11471-001
8281**	Wire Rope Assembly	22-08565-000
8282	Rope Clip	22-00545-001

Install wire rope per reeving instructions.

* Assembly wire rope and anchor as shown.

Attached rope clip and tighten.

** See wire rope section.

* CAUTION: For proper operation, live end of wire rope must be in line with centerline of anchor pin.