

REFERENCE SHEET

F2

REFERENCE

SEPT. 1981

ITEM	BASIC PARTS	SERIES					
		Y	Z	A	B	C	D
5460-5467	Two Part Bottom Block	1-1	1-1	1-1	1-1	1-1	1-1
5605-5639	Trolley Drive Motor Parts (Rounded Gear Box)	BASIC SECTION					
5640-5650	Wheel Type Collector	BASIC SECTION					
6000-	Motor Brake Assembly	Not std. for F2 Hoist.					See Item 6648
6001-6015	M-7 Motor Brake Assembly Parts	Not std. for F2 Hoist.					See Item 6631-6647
6100-6109	4-Part Bottom Block	1-2	1-2	1-2	1-2	1-2	1-2
	"B" Type Trolley	6-1	6-1	6-1	6-2	6-2	6-2
6110-6131	"BG" Type Trolley	6-3	6-3	6-3	6-3	6-4	6-4
	"M" Type Trolley	6-5	6-5	6-5	6-5	6-6	6-6
6132-	Trolley Drive Motor (Rounded Gear Box)	BASIC SECTION					
6133-6141	Hoist & Trolley Controls	4-6	4-5	4-2	4-3	4-3	4-4
6142-6152	Hoist & Trolley Controls	4-1	4-1	4-1	4-1	4-1	4-1
6152-6158	Pushbutton & Components	BASIC SECTION					
6159-6160	Hoist Motor & Coupling	5-2	5-2	5-2	5-2	5-2	5-2
6161-6166	F3 & F5 Parts Only						
6167-6178	Misc. Parts	5-2	5-2	5-2	5-2	5-2	5-2
6179-6181	Wire Rope	5-2	5-2	5-2	5-2	5-2	5-2
6182-6190	Gear Case Parts	3-1	3-1	3-1	3-1	3-1	3-1
6191-6200	Gear Case Parts	3-2	3-2	3-2	3-2	3-2	3-2
6202-6209	F3 & F5 Parts Only						

F2

REFERENCE

REFERENCE SHEET

SEPT. 1981

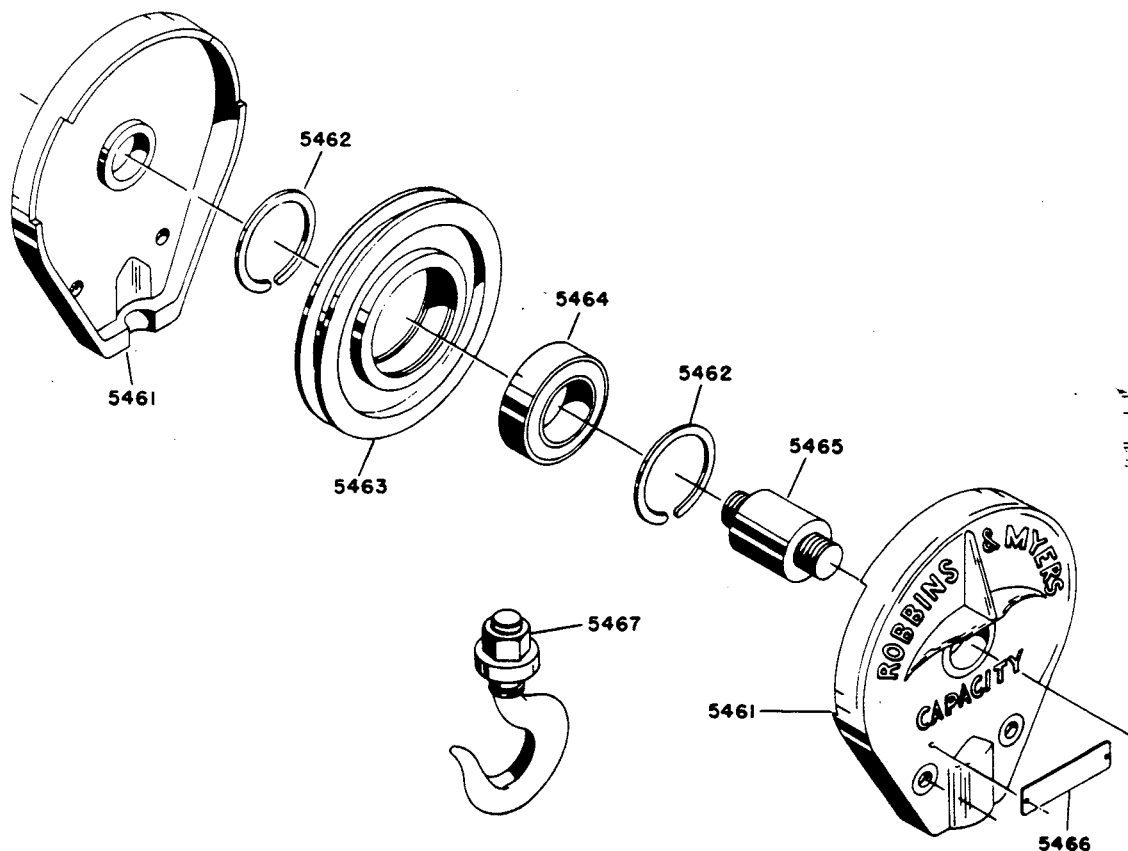
<u>ITEM</u>	<u>BASIC PARTS</u>	<u>SERIES</u>					
		<u>Y</u>	<u>Z</u>	<u>A</u>	<u>B</u>	<u>C</u>	<u>D</u>
6211-6224	Gear Case Parts	3-2	3-2	3-2	3-2	3-2	3-2
6226-6235	Equalizer Parts Motor & Brake Assembly	5-2	5-2	5-2	5-2	5-2	5-2
6576-6585	Gear Case Parts	3-2	3-2	3-2	3-2	3-2	3-2
6615-6620	Gear Case Parts	3-2	3-2	3-2	3-2	3-2	3-2
6631-6648	M-5 Brake Assembly	2-1	2-1	2-1	2-1	2-1	2-1
6650-6652	F3 & F5 Only						
6660-6676	Trolley Motor Brake						BASIC SECTION
8001-8034	Trolley Drive Motor (Rectangular Gear Box)						BASIC SECTION

2-PART BOTTOM BLOCK
 SERIES A, B, C, D, Y, Z

F2

1-1

SEPT. 1981



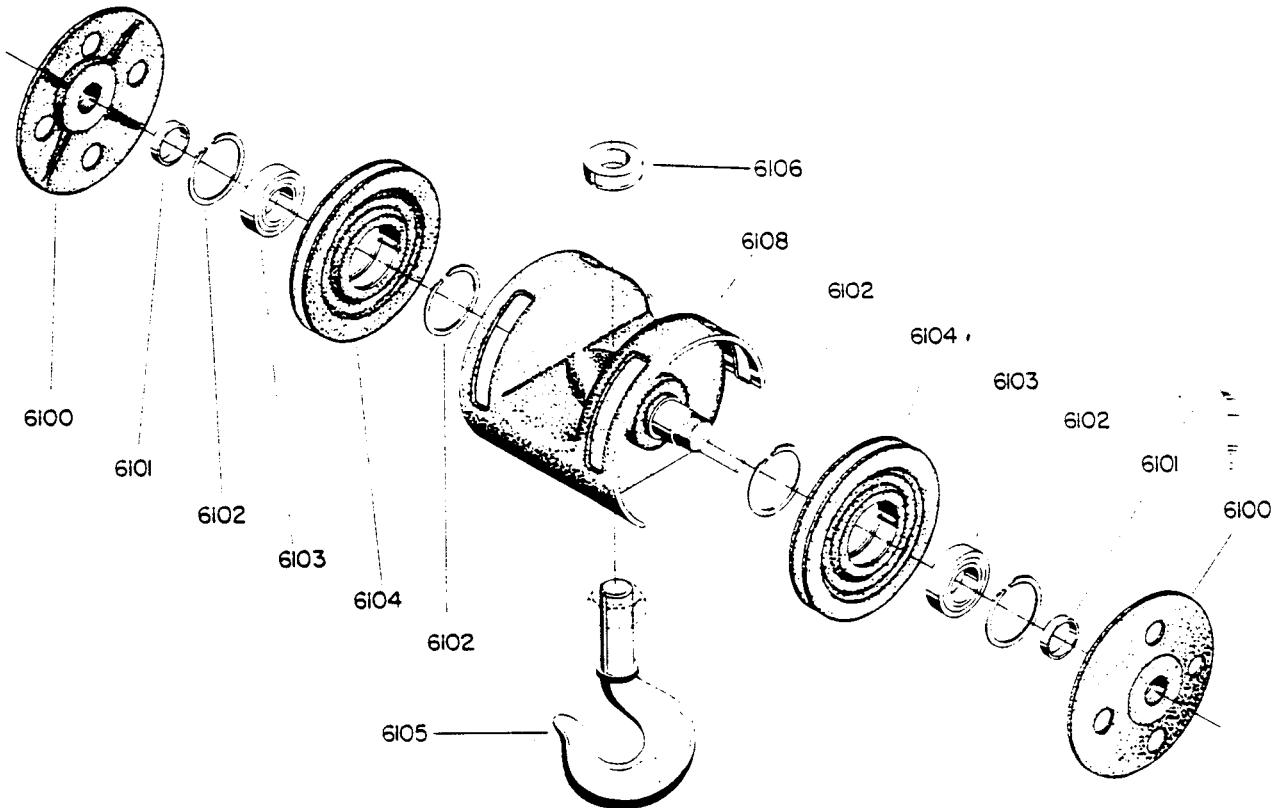
ITEM	PART NUMBER		DESCRIPTION	QTY.
	40' LIFT	70' & 100' LIFT		
5460	24-05271-002	25-01981-020	Bottom Block Assy. (less item 5466)	1
5461	24-04178-008	24-01982-001	Sheave Frame	2
5462	22-06498-005	22-02244-007	Snap Ring	2
5463	23-05497-010	24-04332-001	Sheave	1
5464	6-30-050-305-1	6-30-050-208-1	Ball Bearing	1
5465	22-06967-001	22-07224-002	Sheave Pin	1
5466	22-06968-002	22-06968-002	Capacity Plate ½ ton	2
	22-06968-003	22-06968-003	Capacity Plate 1 ton	2
	22-06968-004	22-06968-004	Capacity Plate 1½ ton	2
5467	23-00022-005	23-00166-001	Load Hook	1
	6-14-007-009-0	6-14-007-010-0	Hex Nut	1
	6-30-161-014-0	6-30-161-016-0	Thrust Bearing	1
*	22-09917-005	22-09929-003	Safety Latch	1

F2

1-2

SEPT. 1981

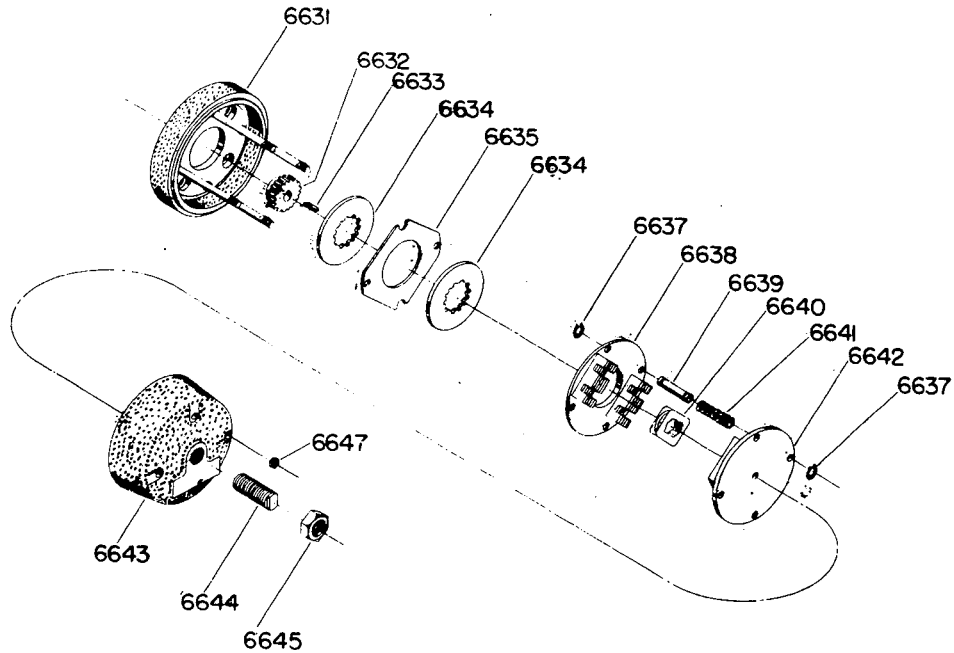
4-PART BOTTOM BLOCK
 SERIES A, B, C, D, Y, Z



ITEM	PART NUMBER		DESCRIPTION	QTY.
	2 TON	3 TON		
6100	23-00111-001	23-05069-001	Sheave Cover	2
6101	22-08916-002	22-08916-002	Spacer	2
6102	22-06498-015	22-06498-015	Snap Ring	4
6103	6-30-050-207-1	6-30-050-207-1	Ball Bearing	2
6104	23-05497-003	23-05497-003	Sheave	2
6105	23-00022-001	23-00109-016	Load Hook	1
	6-14-007-009-0	6-14-007-010-0	Hook Nut	1
6106	6-30-161-014-0	6-30-161-016-0	Thrust Bearing	1
	*	22-09917-005	Safety Latch	1
6108	24-00522-013	24-00522-020	Sheave Frame	1
6109	24-04985-003	24-04985-031	Bottom Block Assy.	1

M5 BRAKE ASSY.
 SERIES A, B, C, D, Y, Z

F2
 2-1
 JULY, 1984



ITEM	DESCRIPTION	PART NUMBER	QTY.
*6648		27-14042-002	1
6631	Brake Head & Std Assy (4 stud)	21-03306-003	1
6632	Hub	22-08000-021	1
6633	Key	6-11-023-022-0	1
6634	Friction Disc	22-07965-003	2
6635	Intermediate Thrust Disc.	23-03648-011	1
6636	Stud	23-03645-026	4
6637	Snap Ring	22-06497-032	8
6638	Pole Plate Assembly	23-06566-002	N/A
6639	Sleeve	22-09072-002	4
	Coil 230 Volt (2 speed)	22-08269-001	2
6640	Coil 115 Volt (230/460)	22-08269-002	2
	Coil 290 Volt (575 volt)	22-08269-004	2
6641	Spring	22-03615-007	4
6642	Armature Plate Assembly	23-06366-008	
6643	Brake Cover	24-05014-004	N/A
6644	Adjustment Screw	22-03612-006	1
6645	Jam Nut	6-14-008-032-0	1
6647	Nuts	6-14-025-003-0	4

Refer to Page 11-3 of Brake Section for Replacement Parts.

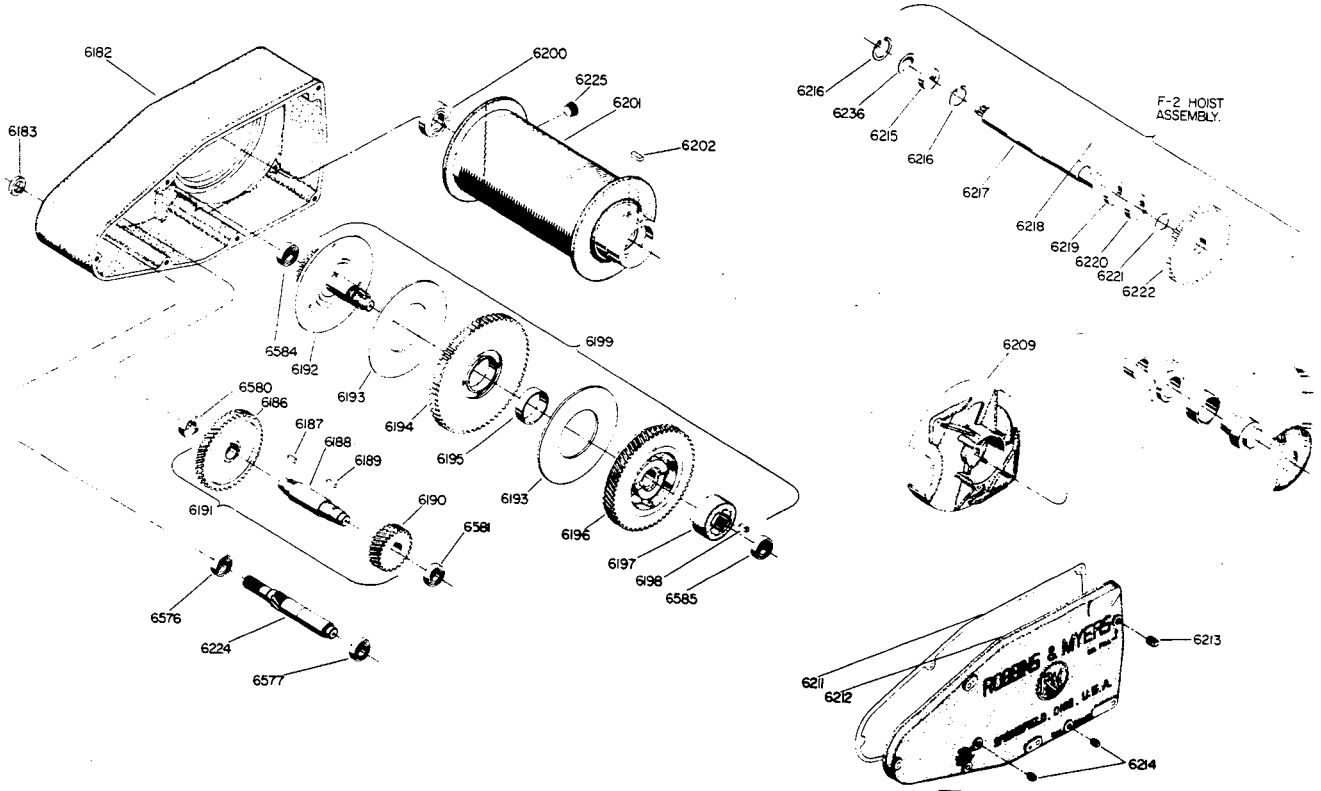
F2

3-1

JULY, 1984

HOIST GEAR CASE

SERIES A, B, C, D, Y, Z



ITEM	DESCRIPTION	PART NUMBER	QTY.
6182	Gear Case	25-02466-003	1
6183	Oil Seal	22-02041-001	1
6186	Motor Gear 14 & 21 FPM	23-06627-001	1
	Motor Gear 18 & 27 FPM	23-06627-002	1
	Motor Gear 24 & 36 FPM	23-06627-003	1
	Motor Gear 22 FPM	23-06627-004	1
	Motor Gear 17 FPM	23-06627-005	1
	Motor Gear 30 FPM	23-06627-006	1
6187	Key	6-11-026-012-0	1
6188	Intermediate Shaft	23-06631-001	1
6189	Key	6-11-026-018-0	1
6190	Int. Pinion 14, 17, 18, & 24 FPM	23-06626-001	1
	Int. Pinion 21, 22, 27, 30, 36 FPM	23-06626-002	1

HOIST GEAR CASE

F2

A, B, C, D, Y, Z

3-2

SEPT. 1981

ITEM	DESCRIPTION	PART NUMBER	QTY.
6191	Order Separate Parts		
6192	Thrust Disc & Shaft Assy	23-01292-010	1
6193	Friction Disc	22-00353-005	2
6194	Ratchet Gear	23-01290-007	1
6195	Bushing	22-00354-004	1
6196	Int. Gear 14,17,18,24 FPM	24-04978-003	1
	Int. Gear 21,22,27,30,36 FPM	24-04978-004	
6197	Reverse Lever	22-09338-002	1
6198	Cam Nut Key	22-00370-003	1
6199	Load Brake Assy 14,17,18,24 FPM	23-06625-005	1
	Load Brake Assy 21,22,27,30,36 FPM	23-06625-006	1
6200	Bearing	6-30-042-206-0	1
6201	CONSULT FACTORY		
6209	Clutch Support	24-05220-001	1
6211	Cover Gasket	23-00116-002	1
6212	Gear Case Cover	25-02467-003	1
6213	Pipe Plug - Vented	22-00195-003	1
6214	Pipe Plug	6-10-012-003-1	2
6215	Ball Bearing	6-30-042-206-0	1
6216	Snap Ring	22-06498-005	1
6217	CONSULT FACTORY		
6218	Key	6-11-030-016-0	1
6219	Oil Seal	22-09059-001	1
6220	Ball Bearing	6-30-041-210-0	1
6221	Spacer	22-09341-001	6
6222	Drum Gear	23-00097-004	1
	Motor Ext. Shaft 14 & 21 FPM	23-06628-001	1
	Motor Ext. Shaft 18 & 27 FPM	23-06628-002	1
6224	Motor Ext. Shaft 22 FPM	23-06628-007	1
	Motor Ext. Shaft 17 FPM	23-06628-008	1
	Motor Ext. Shaft 30 FPM	23-06628-009	1
	Motor Ext. Shaft 24 & 36 FPM	23-06629-001	1
	Pinion	23-06630-001	1
6236	Bearing Seal	22-08646-001	1
6576	Ball Bearing	6-30-041-205-0	1
6577	Ball Bearing	6-30-041-205-0	1
6580	Ball Bearing	6-30-041-205-0	1
581	Ball Bearing	6-30-041-205-0	1
6584	Ball Bearing	6-30-041-205-0	1
6585	Ball Bearing	6-30-041-205-0	1

F2

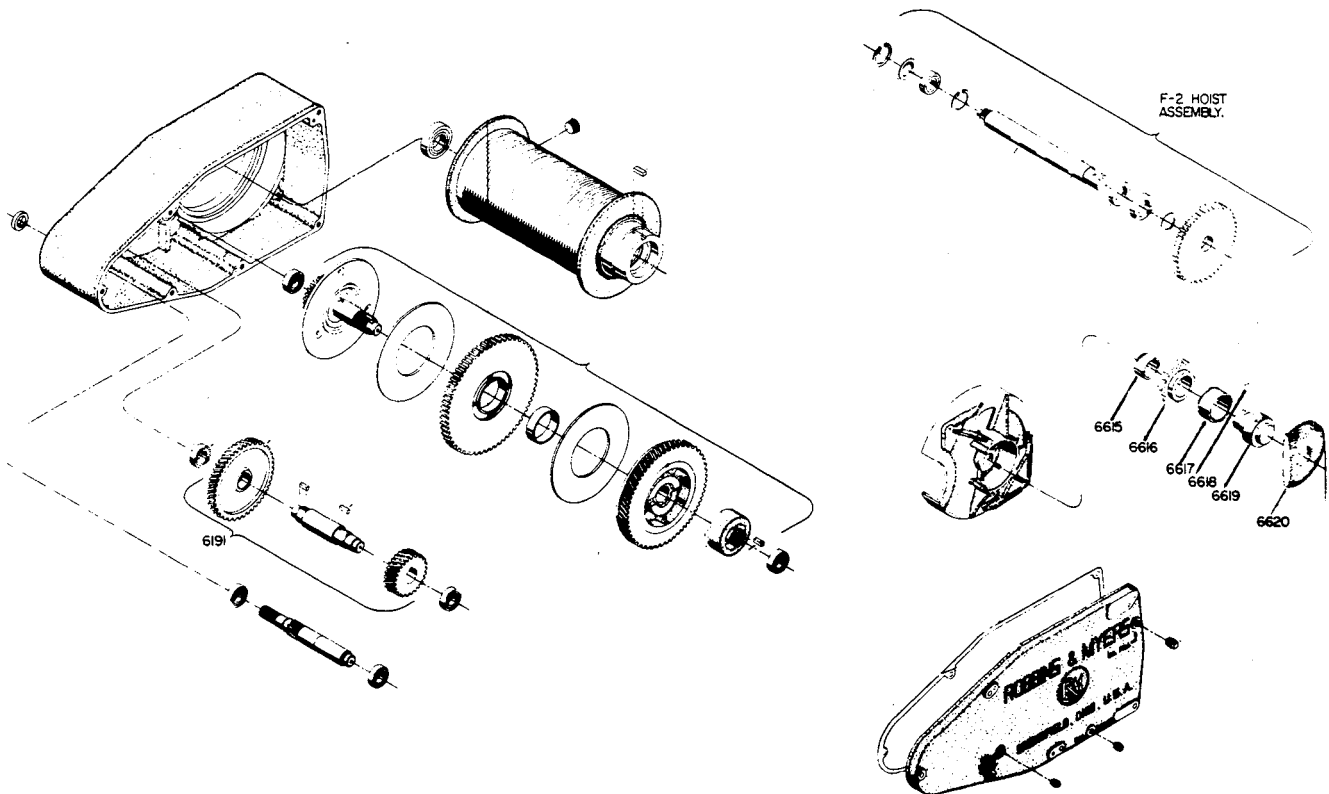
HOIST GEAR CASE

3-3

A, B, C, D, Y, Z

SEPT. 1981

ITEM	DESCRIPTION	PART NUMBER	QTY.
6615	Clutch Bushing	22-02829-002	1
6616	Clutch Pinion	23-06741-001	1
6617	Clutch Spring	22-09561-001	1
6618	Key	6-11-028-010-0	1
6619	Clutch Shaft	23-06740-001	1
6620	Clutch Cover	24-05222-001	1



THIS PAGE LEFT BLANK INTENTIONALLY

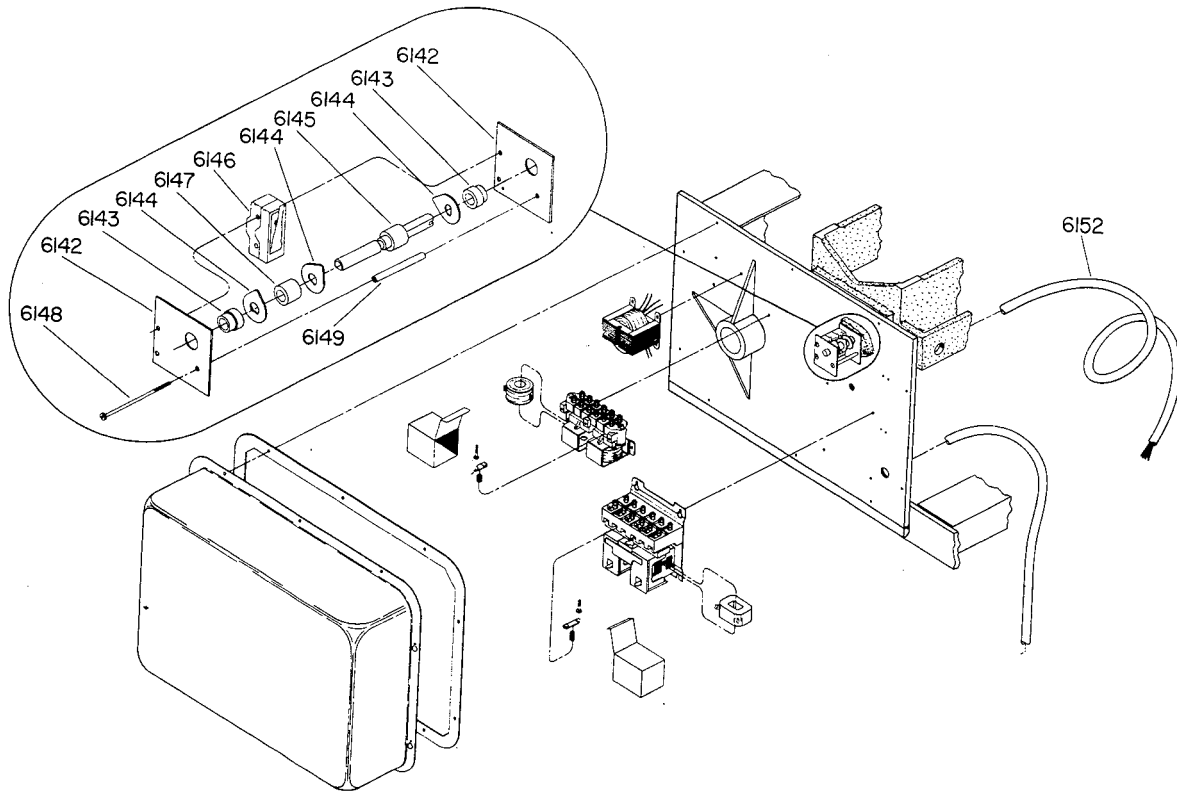
F2

4-1

SEPT. 1981

CONTROL PANEL

SERIES A, B, C, D, Y, Z



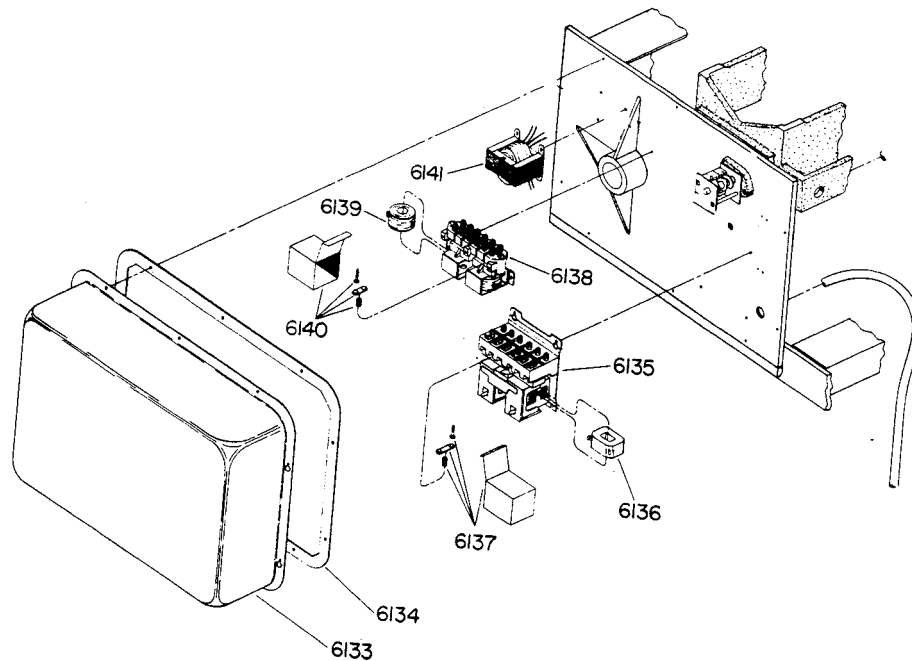
ITEM	DESCRIPTION	PART NUMBER	QTY.
6142	Side Plate	22-08535-001	2
6143	Bushing	22-08536-001	2
6144	Cam	22-08534-001	3
6145	Limit Shaft	22-08539-002	1
6146	Micro Switch	23-05987-003	3
6147	Cam Spacer	22-08546-001	1
6148	Screw	6-02051-044-1	3
6149	Spacer	22-08549-002	1
6152	Mainline Cable	22-04382-004	1

CONTROL PANEL
SERIES A

F2

4-2

SEPT. 1981



ITEM	DESCRIPTION	PART NUMBER	QTY.
6133	Control Cover	22-09470-001	1
6134	Cover Gasket	22-09486-001	1
HOIST CONTROLLER			
6135	(Nov. 1970 & Before) 24V Coil	22-07861-001	1
6136	115V Coil	22-07866-001	2
6137	Contact Kit	22-07619-005	2
TROLLEY CONTROLLER			
6138	Replaced by 23-07623-001	22-10501-003	1
MAGNET COILS (TROLLEY CONTROLLER)			
6139	24V	22-10501-004	2
	115V	22-10501-005	2
6140	Contact Kit	22-10501-013	6
TRANSFORMER			
	230/460V Pri. 115V Sec. 20 VA	23-07228-007	1
	575V Pri. 115V Sec. 20 VA	23-07228-008	1
6141	230/460V Pri. 115V Sec. 75 VA	23-07228-051	1
	575V Pri. 115V Sec. 75 VA	23-07228-052	1
	230/460V Pri. 24V Sec. 20 VA	23-07228-003	1

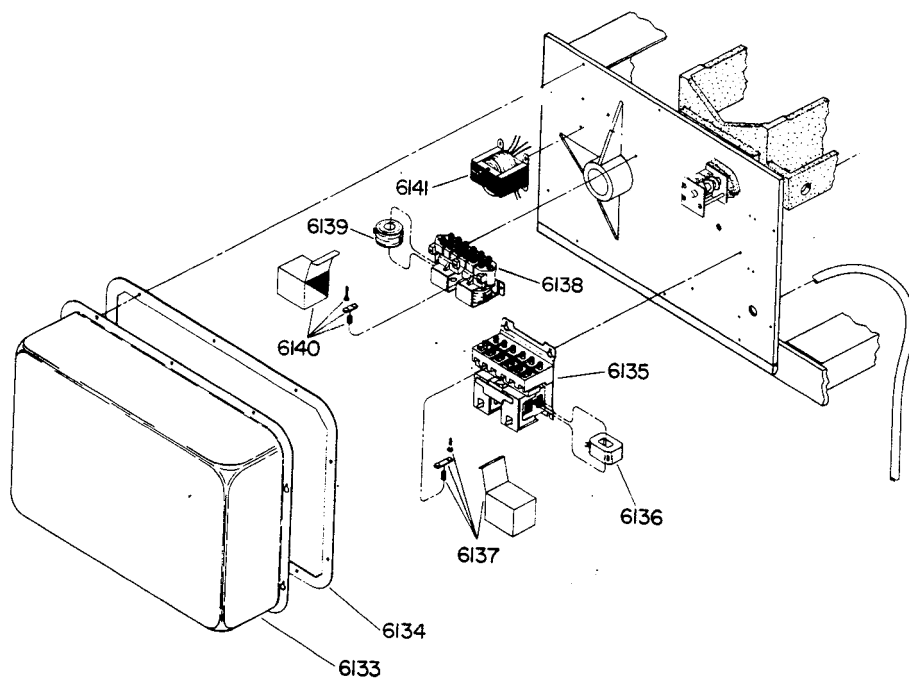
F2

4-3

SEPT. 1981

CONTROL PANEL

SERIES B & C



ITEM	DESCRIPTION	PART NUMBER	QTY.
6133	Control Cover	22-09470-001	1
6134	Cover Gasket	22-09486-001	1
	Replaced by 23-07623-001	22-10501-003	1
6136	24V	22-10501-004	2
	115V	22-10501-005	2
6137	Contact Kit	22-10501-013	6
	TROLLEY CONTROLLER		
6138	Nov. 1970 to Nov. 1974	22-10501-003	1
6139	24V	22-10501-004	2
	115V	22-10501-005	2
6140	Contact Kit	22-10501-013	6
	230/460V Pri. 115V Sec. 20 VA	23-07228-007	1
	575V Pri. 115V Sec. 20 VA	23-07228-008	1
6141	230/460V Pri. 115V Sec. 75 VA	23-07228-051	1
	575V Pri. 115V Sec. 75 VA	23-07228-052	1
	230/460V Pri. 24V Sec. 20 VA	23-07228-003	1

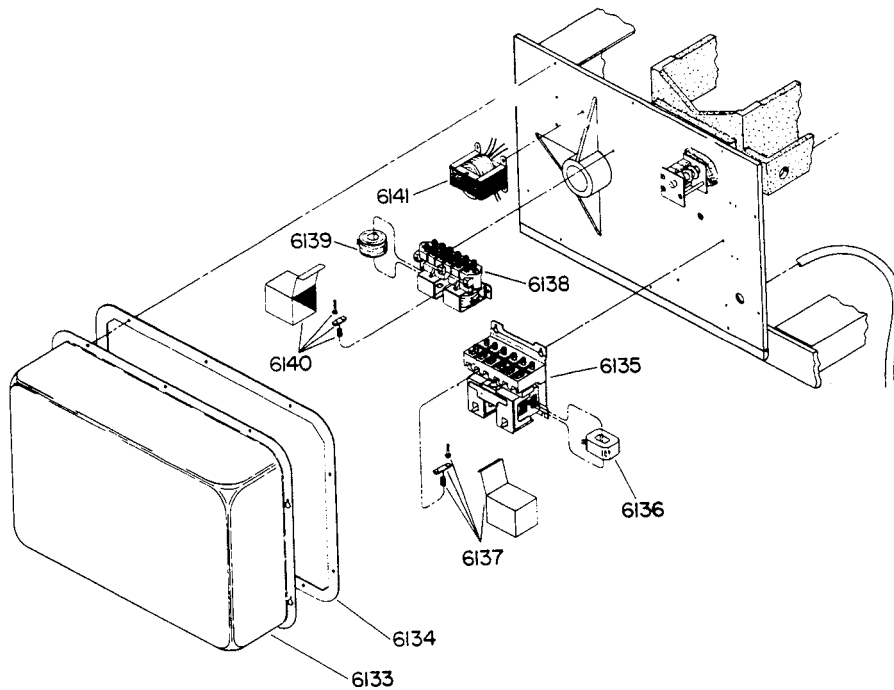
CONTROL PANEL

F2

SERIES D

4-4

SEPT. 1981



ITEM	DESCRIPTION	PART NUMBER	QTY.
6133	Control Cover	22-09470-001	1
6134	Cover Gasket Hoist Controller	22-09486-001	1
6135	Hoist Controller	22-07623-001	1
MAGNET COILS (HOIST CONTROLLER)			
6136	24V	22-10755-003	2
	115V	22-10755-004	2
6137	Contact Kit	23-07623-010	6
6138	Trolley Controller	23-07623-001	1
MAGNET COILS (TROLLEY CONTROLLER)			
6139	24V	22-10755-003	2
	115V	22-10755-004	2
6140	Contact Kit	23-07623-010	6
TRANSFORMER			
6141	230/460V Pri. 115V Sec. 20 VA	23-07228-007	1
	575V Pri. 115V Sec. 20 VA	23-07228-008	1
	230/460V Pri. 115V Sec. 75 VA	23-07228-051	1
	575V Pri. 115V Sec. 75 VA	23-07228-052	1
	230/460V Pri. 24V Sec. 20 VA	23-07228-003	1

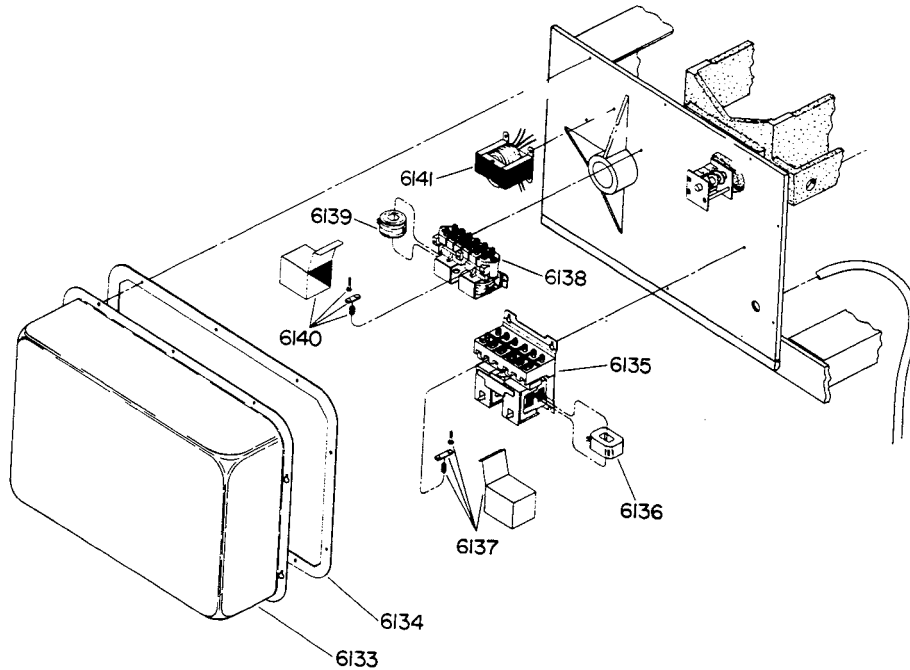
F2

4-5

SEPT. 1981

CONTROL PANEL

SERIES Z



ITEM	DESCRIPTION	PART NUMBER	QTY.
6133	Control Cover	22-09470-001	1
6134	Cover Gasket	22-09486-001	1
6135	Hoist Controller	22-10623-001	1
	MAGNET COILS (HOIST CONTROLLER)		
6136	24V	22-10623-003	2
	115V	22-10623-004	2
6137	Contact Kit	23-10623-020	1
6138	Trolley Controller	22-10623-001	1
	MAGNET COILS (TROLLEY CONTROLLER)		
6139	24V	22-10623-003	2
	115V	22-10623-004	2
6140	Contact Kit	22-10623-010	6
	TRANSFORMER		
6141	230/460V Pri. 115V Sec. 20 VA	23-07228-007	1
	575V Pri. 115V Sec. 20 VA	23-07228-008	1
	230/460V Pri. 115V Sec. 75 VA	23-07288-051	1
	575V Pri. 115V Sec. 75 VA	23-07228-052	1
	230/460V Pri. 24V Sec. 20 VA	23-07228-003	1

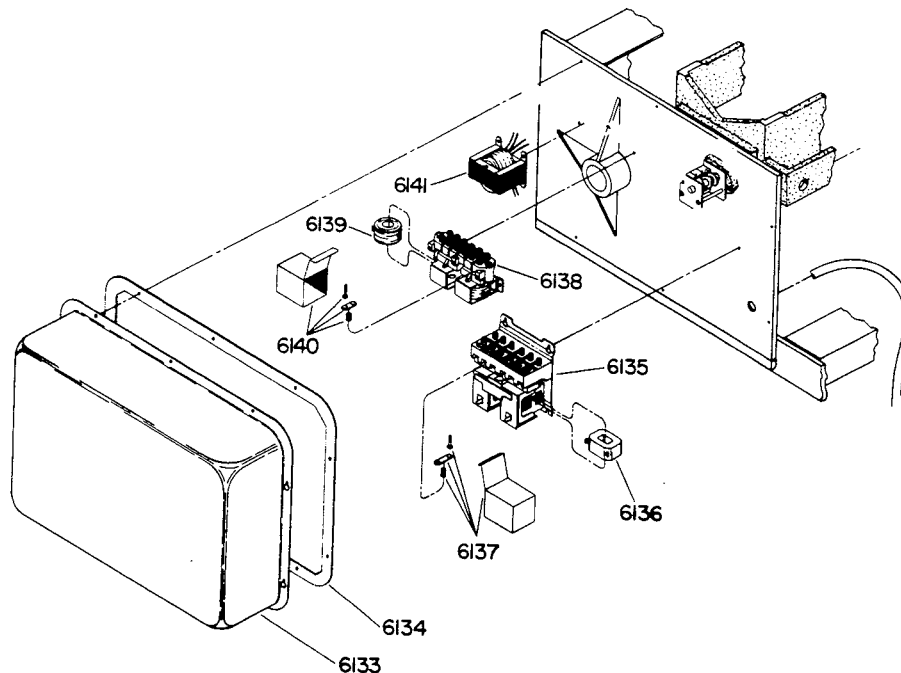
CONTROL PANEL

SERIES Y

F2

4-6

SEPT. 1981



ITEM	DESCRIPTION	PART NUMBER	QTY.
6133	Control Cover	22-09470-001	1
6134	Cover Gasket	22-09486-001	1
6135	Hoist Controller MAGNET COILS (HOIST CONTROLLER)	22-07861-001	1
6136	24V	22-07866-001	2
	115V	22-07866-002	2
6137	Contact Kit	22-07619-005	6
6138	Trolley Controller MAGNET COILS (TROLLEY CONTROLLER)	22-09494-001	1
6139	24V	22-09507-006	2
	120V	22-09507-001	2
6140	Contact Kit TRANSFORMER	22-09509-001	6
6141	230/460V Pri. 115V Sec. 20 VA	23-07228-007	1
	575V Pri. 115V Sec. 20 VA	23-07228-008	1
	230/460V Pri. 115V Sec. 75 VA	23-07228-051	1
	575V Pri. 115V Sec. 75 VA	23-07228-052	1
	230/460V Pri. 24V Sec. 20 VA	23-07228-003	1

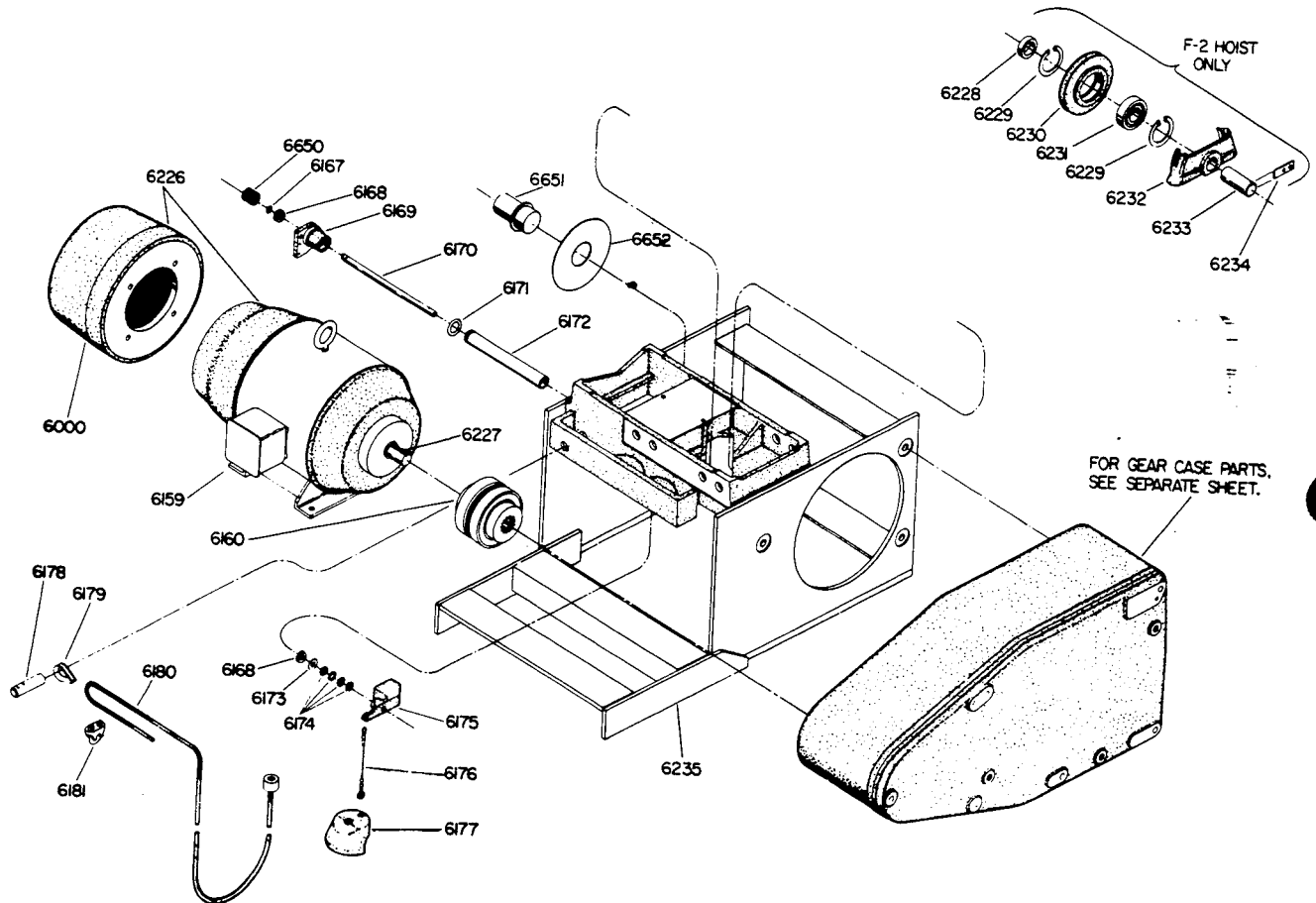
F2

5-1

SEPT. 1981

HOIST FRAME & COMPONENTS

SERIES A, B, C, D, Y, Z



HOIST FRAME & COMPONENTS
 SERIES A, B, C, D, Y, Z

F2
 5-2
 SEPT. 1981

ITEM	DESCRIPTION	PART NUMBER	QTY.
	HOIST MOTORS		
	3 HP 230/460V Single Speed	23-07704-102	1
	3 HP 575V Single Speed	23-07704-103	1
6159	3/1 HP 460V Two Speed	23-07704-107	1
	3/1 HP 230V Two Speed	23-07704-108	1
	3/1 HP 575V Two Speed	23-07704-110	1
	5 HP 230/460V Single Speed	23-07704-105	1
6160	Motor Coupling	22-04845-001	1
6167	Snap Ring	22-06497-007	1
6168	Ball Bearing	6-30-102-007-0	2
6169	Mounting Bracket	22-08533-002	1
6170	CONSULT FACTORY		1
6171	"O" Ring	22-08171-002	1
6172	CONSULT FACTORY		1
6173	Felt Washer	6-23-060-204-0	1
6174	Shim Washer	6-23-030-169-0	8
6175	Limit Lever	23-06635-001	1
6177	Limit Weight	23-02305-005	1
6178		22-02138-001	1
6179	Rope Thimble	22-00546-001	1
6180	Cable Assy. See Basic Section		1
6181	Rope Clip	22-00544-001	3
6227	Key	6-11-023-022-0	1
6228	Bearing Spacer	22-08916-001	1
6229	Snap Ring	22-06498-015	2
6230	Sheave	23-05497-003	1
6231	Ball Bearing	6-30-050-207-1	1
6232	Sheave Guard	24-00097-009	1
6233	Sheave Pin	23-02661-017	1
6234	Keeper Plate	22-01800-004	1
6235	CONSULT FACTORY		1
6650	Limit Spring	22-09449-001	1
6651	NOT F2 PARTS		
6652			

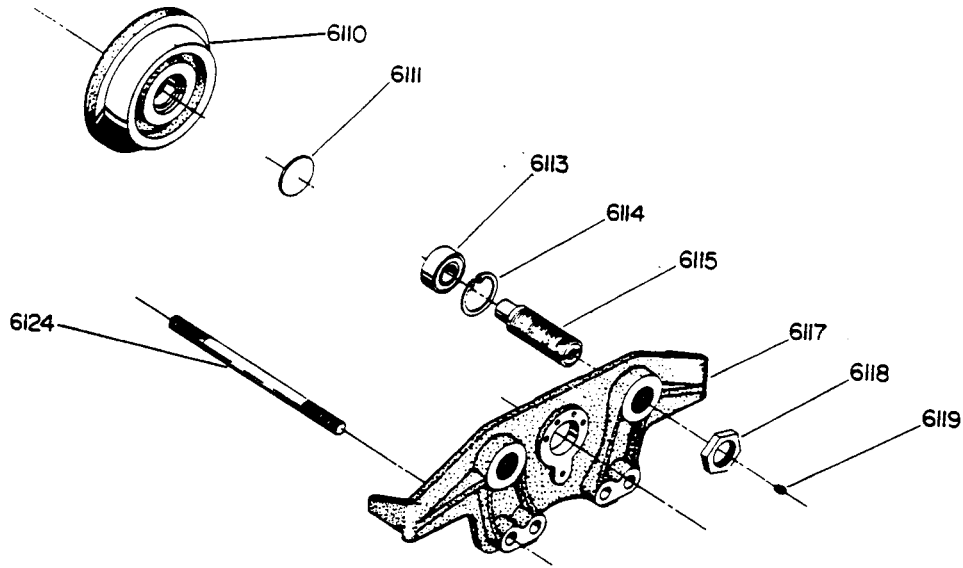
F2

'B' TYPE TROLLEY

6-1

SERIES A, B, Y, & Z

SEPT. 1981



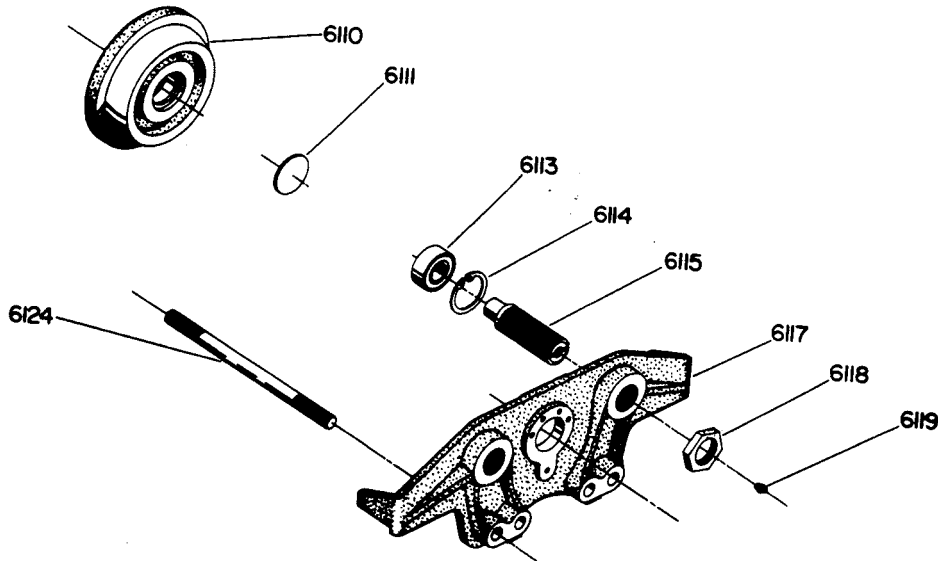
ITEM	DESCRIPTION	PART NUMBER		QTY.
		2 TON	3 TON	
6110	Plain Wheel	23-07204-001	23-03105-001	4
6111	Bearing Seal	22-08646-001	22-08646-001	4
6113	Bearing	6-30-042-206-0	6-30-082-206-1	4
6114	Snap Ring	22-06498-005	22-06498-005	4
6115	Wheel Stud	23-06739-001	23-03156-006	4
6117	Side Plate	24-05198-001	24-03862-001	2
6118	Lock Collar	22-00086-001	22-00086-001	4
6124	Trolley Stud	22-03337-001	22-03337-001	2

'B' TYPE TROLLEY
 SERIES C & D

F2

6-2

SEPT. 1981



ITEM	DESCRIPTION	PART NUMBER	QTY.
6110	Plain Wheel	23-07412-001	4
6111	Bearing Cap	22-08646-001	4
6113	Ball Bearing	6-30-042-206-0	4
6114	Snap Ring	22-06498-005	8
*	Snap Ring	22-06497-003	4
6115	Wheel Stud	22-11043-001	4
6117	Side Frame	24-05738-002	2
*	Lock Washer	6-23-001-049-0	4
*	Hex Nut	6-14-007-009-0	4
6124	Trolley Stud	22-03337-001	2
*	Hex Head Cap Screw	6-19-155-040-1	4
*	Lock Washer	6-23-001-043-0	4
*	Nut	6-14-005-005-0	4

* Not Shown

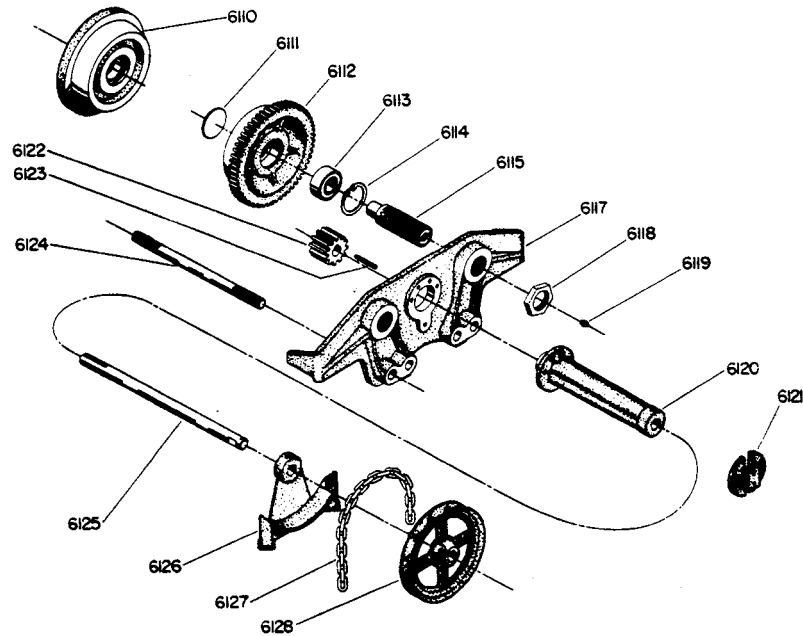
F2

"BG" TYPE TROLLEY

6-3

SERIES A, B, Y, Z

SEPT. 1981



ITEM	DESCRIPTION	PART NUMBER		QTY.
		2 TON	3 TON	
6110	Idler Wheel	23-07204-001	23-03105-001	2
6111	Bearing Cap	22-08646-001	22-08646-001	4
6112	Geared Wheel	23-03397-001	23-03106-001	2
6113	Ball Bearing	6-30-042-206-1	6-30-082-206-1	4
6114	Snap Ring	22-06498-005	22-06498-005	8
6115	Wheel Studs	23-06739-001	23-03156-006	4
6117	Side Frame	24-05198-001	24-03862-001	2
6118	Lock Collar	22-00086-001	22-00086-001	4
6120	Shaft Tube	23-05109-001	23-05109-001	1
6122	Pinion	22-03256-001	22-03256-001	1
6123	Key	6-11-023-024-1	6-11-023-024-0	1
6124	Trolley Studs	22-03337-001	22-03337-001	2
6125	Hand Wheel Shaft	22-03257-008	22-03257-008	1
6126	Chain Guard	24-00099-007	22-00099-005	1
6127	Hand Chain	22-00005-001	22-00005-001	1
6128	Hand Wheel	23-00007-009	23-00007-009	1

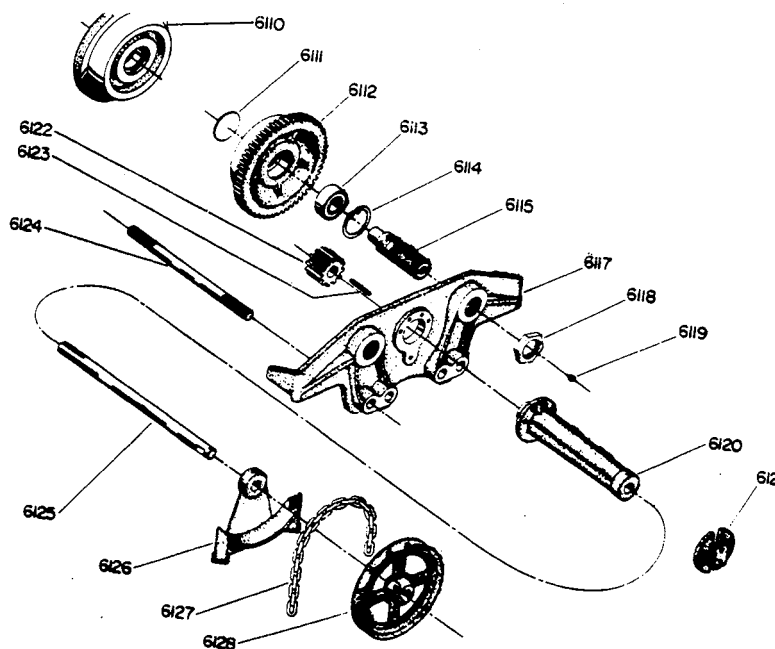
"BG" TYPE TROLLEY

SERIES C & D

F2

6-4

SEPT. 1981



ITEM	DESCRIPTION	PART NUMBER	QTY.
6110	Idler Wheel	23-07412-001	2
6111	Bearing Cap	22-08646-001	4
6112	Geared Wheel Assembly	23-07480-001	2
6113	Ball Bearing	6-30-042-206-0	4
6114	Snap Ring	22-06498-005	8
*	Snap Ring	22-06497-003	4
6115	Wheel Stud	22-11043-001	4
*	Cap Screw	6-19-155-044-1	4
*	Lock Washer	6-23-001-043-0	4
*	Nut	6-14-005-005-0	4
	Geared Side Plate	24-05738-001	1
6117	Idler Side Plate	24-05738-002	1
6120	Shaft Bracket	23-07484-001	1
6121	Clamp Plate	22-11044-002	1
6122	Pinion	22-10985-002	1
6123	Key	6-11-024-034-0	1
6124	Trolley Stud	22-03337-001	2
*	Lock Washer	6-23-001-049-0	4
*	Hex Nut	6-14-007-009-0	4
6125	Hand Wheel Shaft	23-07485-001	1
6126	Chain Guard	24-00099-005	1
6127	Hand Chain **	22-00005-001	1
6128	Hand Wheel	23-00007-004	1

* Not Shown

** Length dependent on lift of hoist

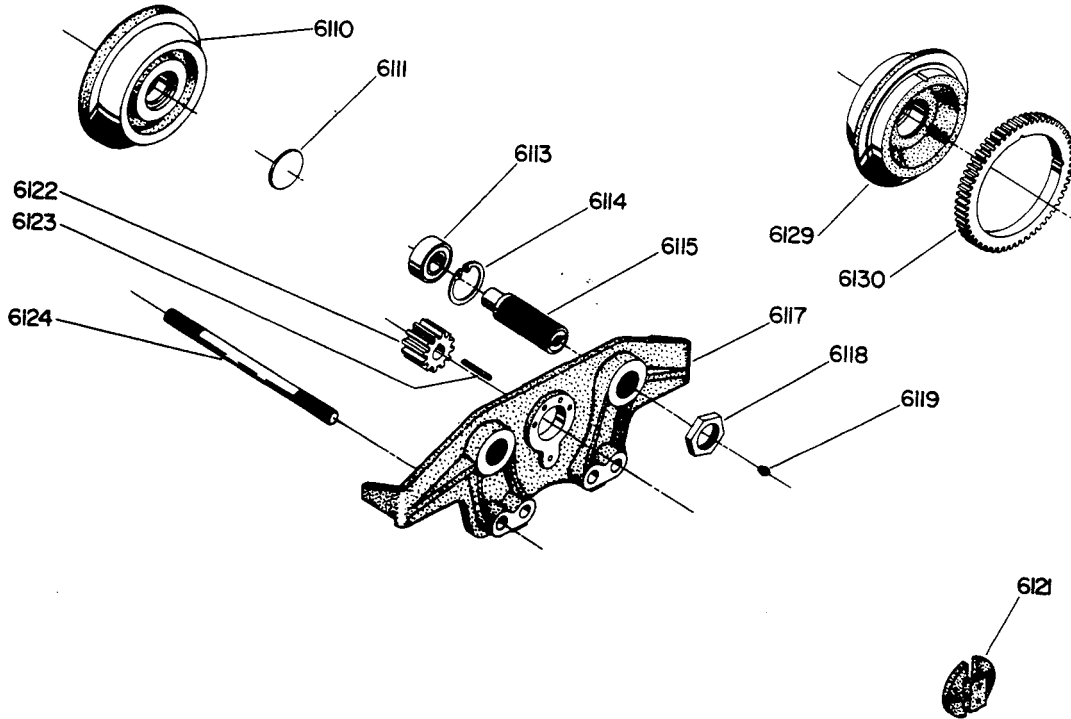
F2

6-5

SEPT. 1981

"M" TYPE TROLLEY

SERIES A, B, Y, Z



ITEM	DESCRIPTION	PART NUMBER		QTY.
		2 TON	3 TON	
6111	Bearing Cap	22-08646-001	22-08646-001	4
6113	Ball Bearing	6-20-042-206-0	6-30-082-206-1	4
6114	Snap Ring	22-06498-005	22-06498-005	8
6115	Wheel Stud	23-06739-001	23-03156-006	4
6117	Side Frames	24-05198-001	24-03862-001	2
6118	Lock Collar	22-00086-001	22-00086-001	4
6121	Collector Bar Bracket	23-05110-001	23-05110-001	1
6122	Pinion	22-03256-081	22-03256-081	1
6123	Key	6-11-023-024-0	6-11-023-024-0	1
6124	Trolley Studs	22-03337-001	22-03337-001	2
6129	Idler Wheel	23-07204-001	23-07180-001	2
6130	Wheel Gear	23-04592-004	23-00503-026	2
6131	Geared Wheel	23-07204-001	23-07181-001	2

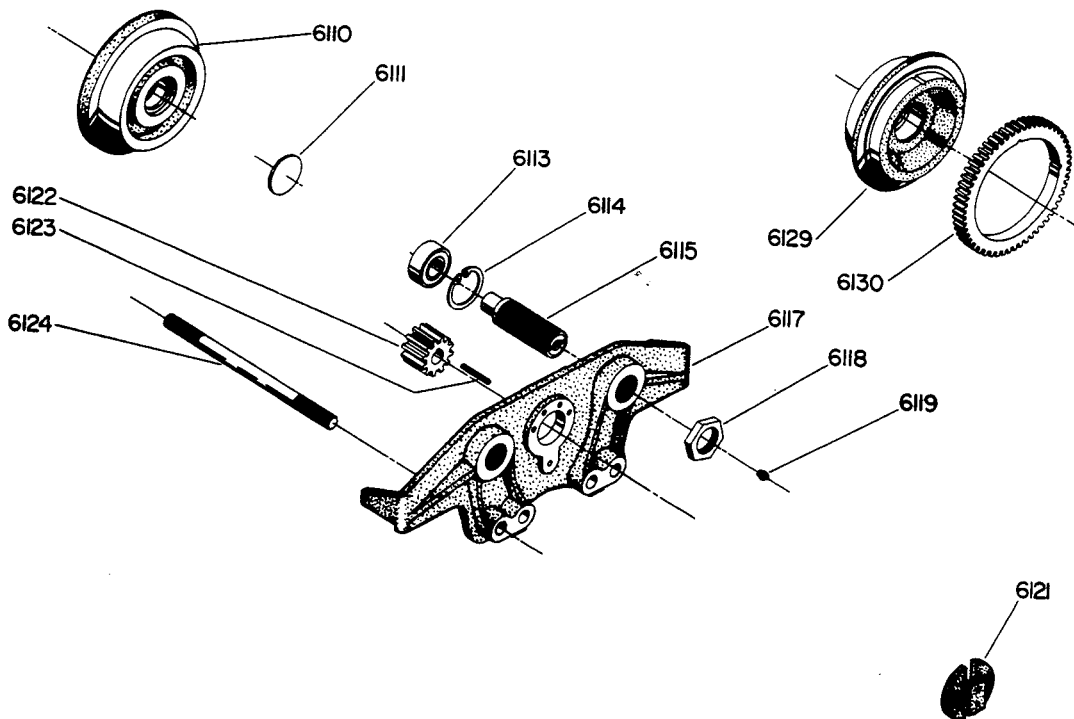
"M" TYPE TROLLEY

SERIES C & D

F2

6-6

SEPT. 1981



ITEM	DESCRIPTION	PART NUMBER	QTY.
6111	Bearing Seal	22-08646-001	4
6113	Ball Bearing	6-30-042-206-0	4
	Snap Ring	22-06498-005	8
6114	Snap Ring	22-06497-003	4
6115	Wheel Stud	22-11043-001	4
*	Cap Screw	6-19-166-044-1	4
*	Lock Washer	6-23-001-043-0	4
*	Nut	6-14-005-005-0	4
6117	Geared Side Frame	24-05738-001	1
	Idler Side Frame	24-05738-002	1
6121	Clamp Plate	22-11044-002	1
6122	Pinion	22-10985-002	1
6123	Key	6-11-024-034-0	1
6124	Trolley Stud	22-03337-001	2
6129	Idler Wheel	23-07412-001	2
6131	Geared Wheel Assembly	23-07480-001	2

