



www.uescocranes.com

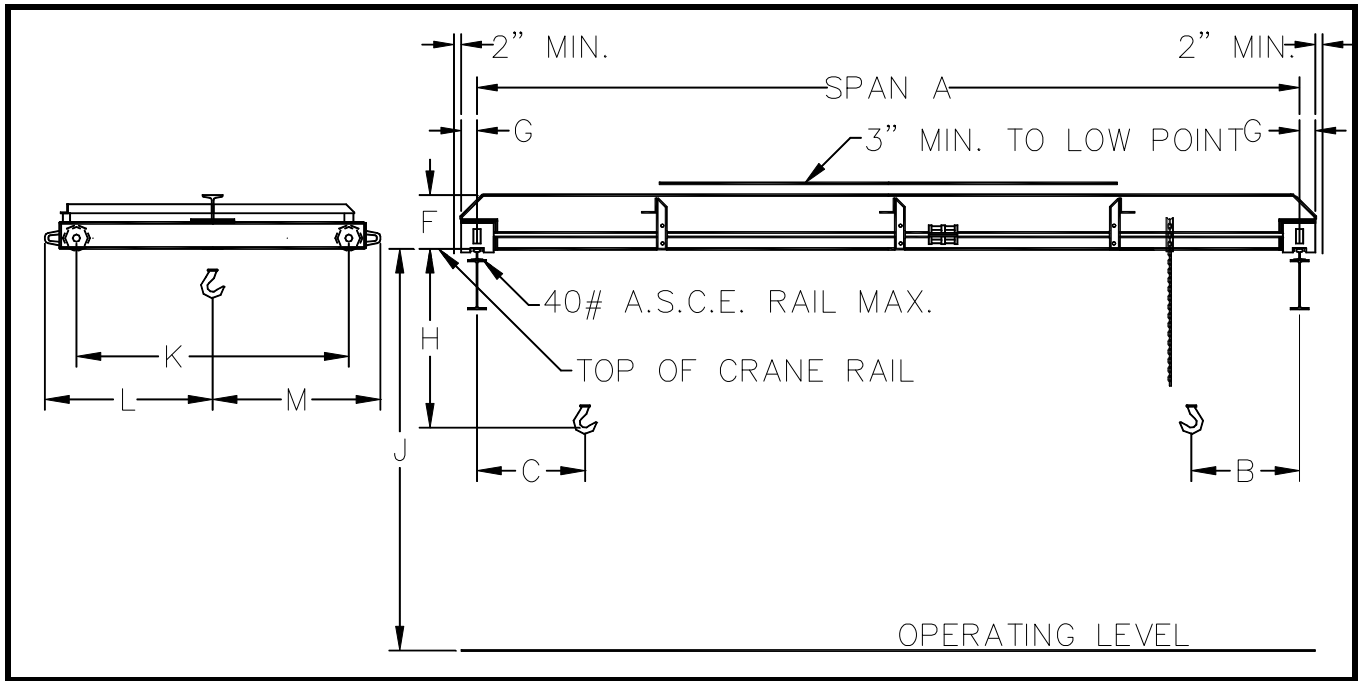
Uesco Industries, Inc.
 5908 W. 118th Street
 Alsip, IL 60803
 1-800-325-8372
 Fax: 708-385-6889
 cranes@uescocranes.com

SPECIFICATIONS

QUOTE NUMBER _____

DATE _____

ORDER NUMBER _____



SINGLE GIRDER, TOP RUNNING, HAND-GEARED

A		<u>HOIST</u>	<u>TROLLEY</u>	<u>BRIDGE</u>
B	TYPE UNIT			
C	CAPACITY, TONS			
D	SPEED IN FPM			
E	HORSEPOWER & RPM			
F	MOTOR RATING			
G	TYPE MOTOR			
H	TYPE CONTROL			
J	MAXIMUM WHEEL LOAD			
K	OPERATING CURRENT			
L	IMPORTANT! CHECK ALL DIMENSIONS, SPEEDS AND TYPE OF CONTROL			
M	MISC.			
S				

Dimensions Certified _____ By _____
 Dimensions subject to change without notice