



www.uescocranes.com

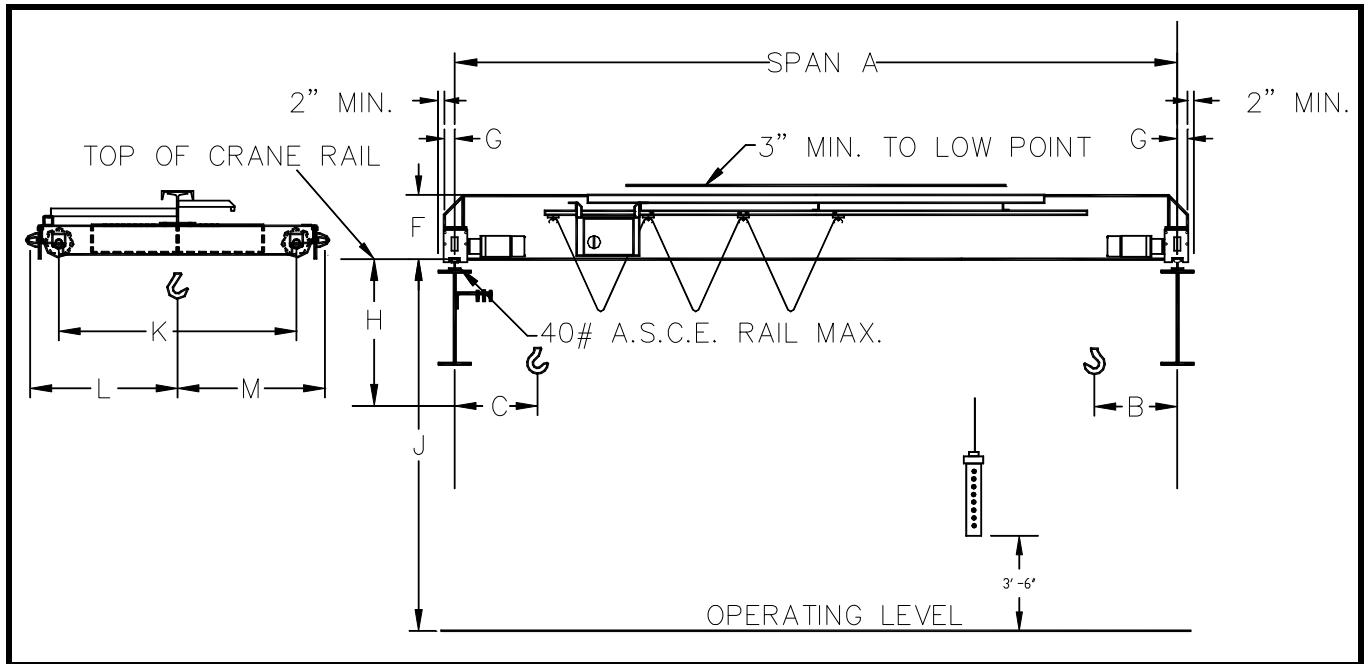
**Uesco Industries, Inc.**  
 5908 W. 118th Street  
 Alsip, IL 60803  
 1-800-325-8372  
 Fax: 708-385-6889  
 cranes@uescocranes.com

# SPECIFICATIONS

QUOTE NUMBER \_\_\_\_\_

DATE \_\_\_\_\_

ORDER NUMBER \_\_\_\_\_



## SINGLE GIRDER, TOP RUNNING, DUAL-MOTOR

A		<u>HOIST</u>	<u>TROLLEY</u>	<u>BRIDGE</u>
B	TYPE UNIT			
C	CAPACITY, TONS			
D	SPEED IN FPM			
E	HORSEPOWER & RPM			
F	MOTOR RATING			
G	TYPE MOTOR	SQUIRREL CAGE	SQUIRREL CAGE	SQUIRREL CAGE
H	TYPE CONTROL			
J	MAXIMUM WHEEL LOAD			
K	OPERATING CURRENT			
L	<b>IMPORTANT! CHECK ALL DIMENSIONS, SPEEDS AND TYPE OF CONTROL</b>			
M	MISC.			

Dimensions Certified \_\_\_\_\_ By \_\_\_\_\_  
 Dimensions subject to change without notice