

C75 REFERENCE SHEET

C75

REFERENCE

SEPT. 1980

ITEM NUMBER	BASIC PARTS	SERIES	
		X	A
5451-5461	C75 Monorail Trolley Drive	6-2	6-2
6000-6014	M7B 90# Brake Assy.	3-1	3-1
6000-6015	M10 Brake Assy.	3-2	3-2
	Reeving 8 Part Bottom Block	4-2	4-2
	Load Brake Servicing Information	5-2	5-2
6931-6944	Gear Case Assy.	2-1	2-1
6945-6963	Gear Case Assy.	2-2	2-2
6965-6975	Gear Case Assy.	2-3	2-3
6991-7000	Assembly Parts	1-1	1-1
7000-7025	Assembly Parts	1-2	1-2
7036-7046	Bottom Block Assy. 10 & 15 Ton	4-1	4-1
8874-8884	Trolley Parts	6-1	6-1



C75

1-0

SEPT. 1980

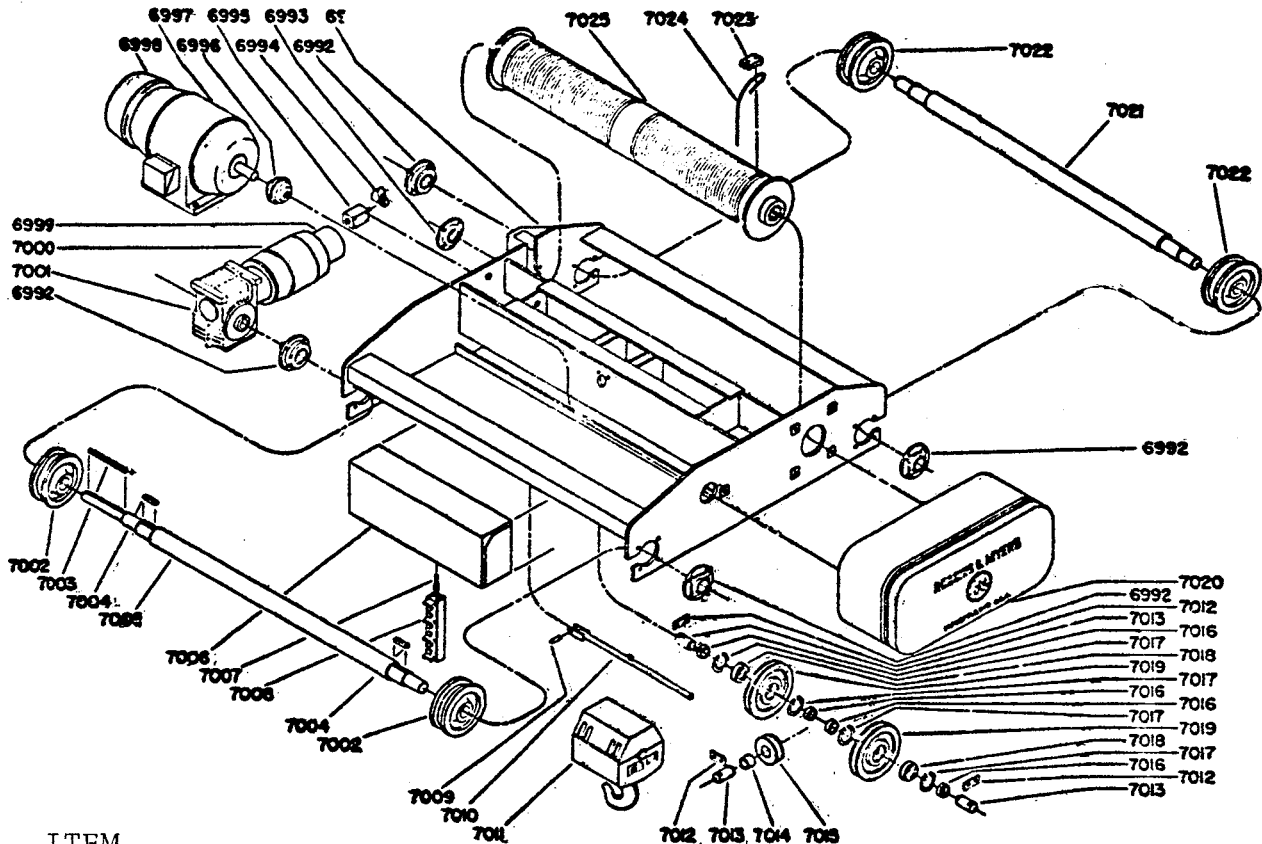
1

C75

C75 ASSEMBLY

1-1

SEPT. 1980



ITEM NUMBER	DESCRIPTION	PART NUMBER	QUANTITY
6991*	Main Frame (23'-0" Lift)	25-02947-030	1
6992	Wheel Axle Bearing	22-09600-011	4
6993	Rope Drum Bearing	22-09600-002	1
6994	Limit Switch Counter Weight	23-05945-001	1
6995*	Limit Switch	23-04840-001	1
6996	Sleeve & Cover Splined Hub Bored Hub	24-05910-001 24-05910-007 24-05910-021	1 1 1
	Motor Cplg.		
6997	Hoist Motor (15HP 1200RPM)	23-07706-005	1
6998*	Hoist Motor Brake (115 Volts)	27-16043-001	1
6999*	Trolley Motor Brake (230 Volts)	27-12041-001	1
7000	Trolley Drive Motor	23-07671-003	1

Note: * See separate sheets for individual parts.
 ** Consult factory for different lifts.

C75 ASSEMBLY

C75

1-2

SEPT. 1980

ITEM NUMBER	DESCRIPTION	PART NUMBER	QUANTITY
7001*	Trolley Drive Reducer	23-07807-001	1
7002	Trolley Drive Wheel	23-07316-002	2
7003	Drive Reducer Key	23-42800-600	1
7004	Drive Wheel Key	6-11-028-062-0	2
7005**	Trolley Drive Axle	23-07325-005	1
7006***	Control Box Assy.	22-09594-017	1
7007*	Pendant Cable	-----	
7008*	Push Button Assy.	-----	
7009	Limit Switch Paddle Pin	22-00099-016	1
7010	Limit Switch Paddle	22-10792-001	1
7011**	Bottom Block Assy.	25-02830-008	1
7012	Keeper Plate	22-01801-001	1
7013	Sheave Pin	22-10791-002	2
7014	Bushing	22-02829-002	1
7015	Idler Sheave	24-00148-021	1
7016	Spacers	22-10790-001	4
7017	Snap Rings	22-02244-014	4
7018	Ball Bearings	6-30-050-211-1	2
7019	Rope Sheaves	23-07314-001	2
7020*	Gear Case Assy.	-----	1
7021**	Trolley Idler Axle	23-07325-003	1
7022	Trolley Idler Wheel	23-07315-001	2
7023	Rope Clip	22-00661-001	3
7024**	Hoist Wire Rope	22-09067-002	1
7025**	Rope Drum (23Ft. Lift)	25-03008-001	1

* See separate sheets for individual parts.

** Consult factory for different lifts.

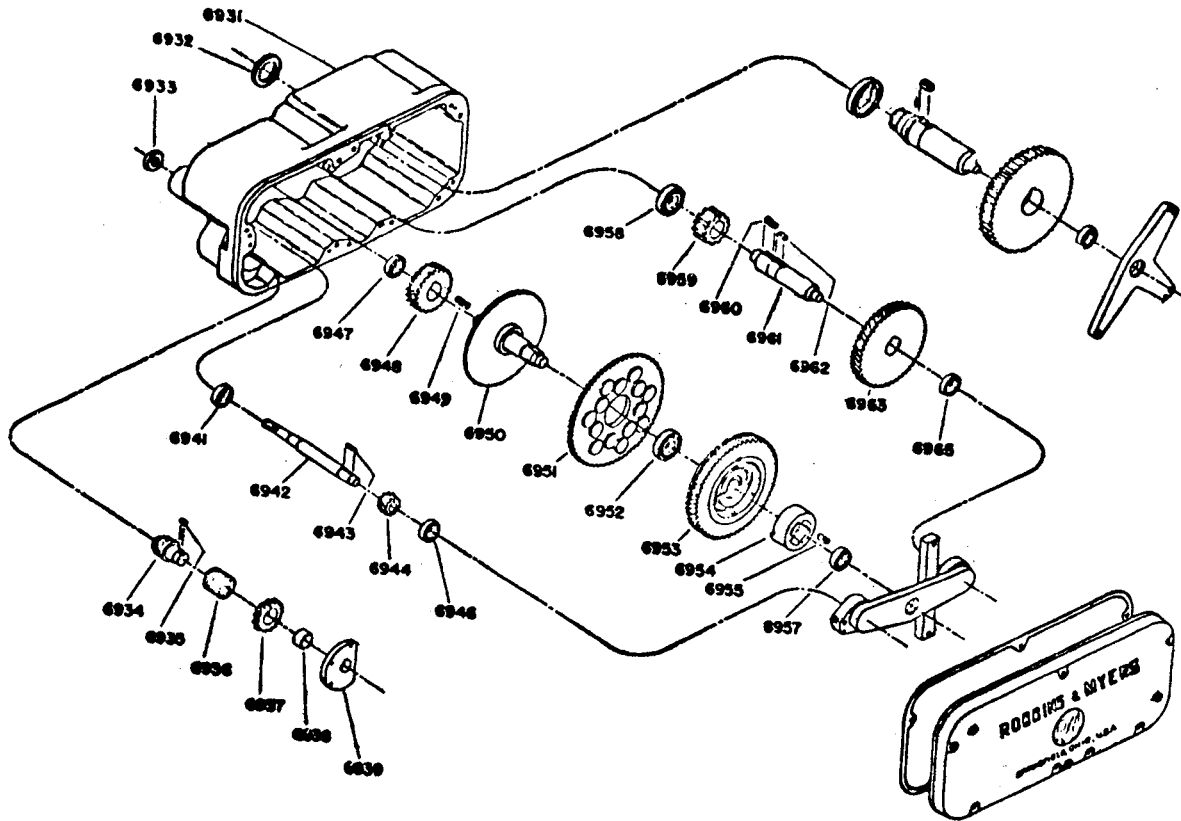
*** Components vary - consult factory.

C75

GEARCASE ASSEMBLY

2-1

SEPT. 1980



ITEM NUMBER	DESCRIPTION	PART NUMBER	QUANTITY
6931	Gear Case	25-02825-001	1
6932	Oil Seal (Drum Shaft)	22-07978-001	1
6933	Oil Seal (Ext. Shaft)	22-02792-001	1
6934	Clutch Shaft	23-06740-004	1
6935	Key	22-00482-015	1
6936	Clutch Spring	22-09561-003	1
6937	Clutch Gear	23-06741-005	1
6938	Bushing	22-02829-003	1
6939	Clutch Cover	23-07322-001	1
6941	Ball Bearing (Ext. Shaft)	6-30-041-307-1	1
6942	Motor Ext. Shaft & Pinion 8 PTS @ 10,13,15,20 FPM	23-07321-002	1
6942	Motor Ext. Shaft	23-07321-001	1
6943	Key	6-11-024-030-0	1
6944	Pinion 8 PTS 13,15,20,20½, 22½,30 FPM	23-06205-001	1

GEARCASE ASSY.

C75

2-2

SEPT. 1980

ITEM NUMBER	DESCRIPTION	PART NUMBER	QUANTITY
6946	Ext. Shaft Bearing	6-30-041-207-1	1
6947	Load Brake Shaft Bearing	6-30-041-307-1	1
6948	Int. Pinion 8 PT @ 20&30FPM	23-06623-003	1
	Int. Pinion 8 PT @ 13&20FPM	23-06623-009	1
	Int. Pinion 8 PT @ 10&15FPM	23-06623-010	1
	Int. Pinion 8 PT @ 15&22FPM	23-06623-011	1
6949	Key	6-11-030-032-0	1
6950*	Load Brake Shaft	24-04730-004	1
*	Key	6-11-030-032-0	1
*	Thrust Disc	25-02299-004	1
6951*	Free Wheeling Gear Assy.	24-04864-005	1
6952*	Ball Bearing	6-30-020-113-0	1
6953	Gear Spider Assy. 8 PTS @ 10,13,15,20 FPM	24-04725-001	1
	Gear Spider Assy. 8 PTS @ 15,20,22½,30 FPM	24-04725-006	1
6954	Load Brake Cam Nut	23-06622-001	1
6955	Cam Nut Key	22-00584-003	1
6957	Load Brake Shaft Bearing	6-30-041-307-0	1
6958	Int. Shaft Bearing	6-30-061-310-0	1
6959	Drum Pinion	23-00170-005	1
6960	Key	22-01740-038	1
6961	Int. Shaft	23-07323-001	1
6962	Int. Gear Key	22-01740-037	1
6963	Int. Gear 8PTS @ 13&20 FPM	24-05632-001	1
	Int. Gear 8PTS @ 20&30 FPM	24-05632-002	1
	Int. Gear 8PTS @ 10&15 FPM	24-05632-003	1
	Int. Gear 8PTS @ 15&22½FPM	24-05632-004	1

* These parts were altered. See information covering "Load Brake Servicing". Information on page 5-1 and 5-2 of C75 section.

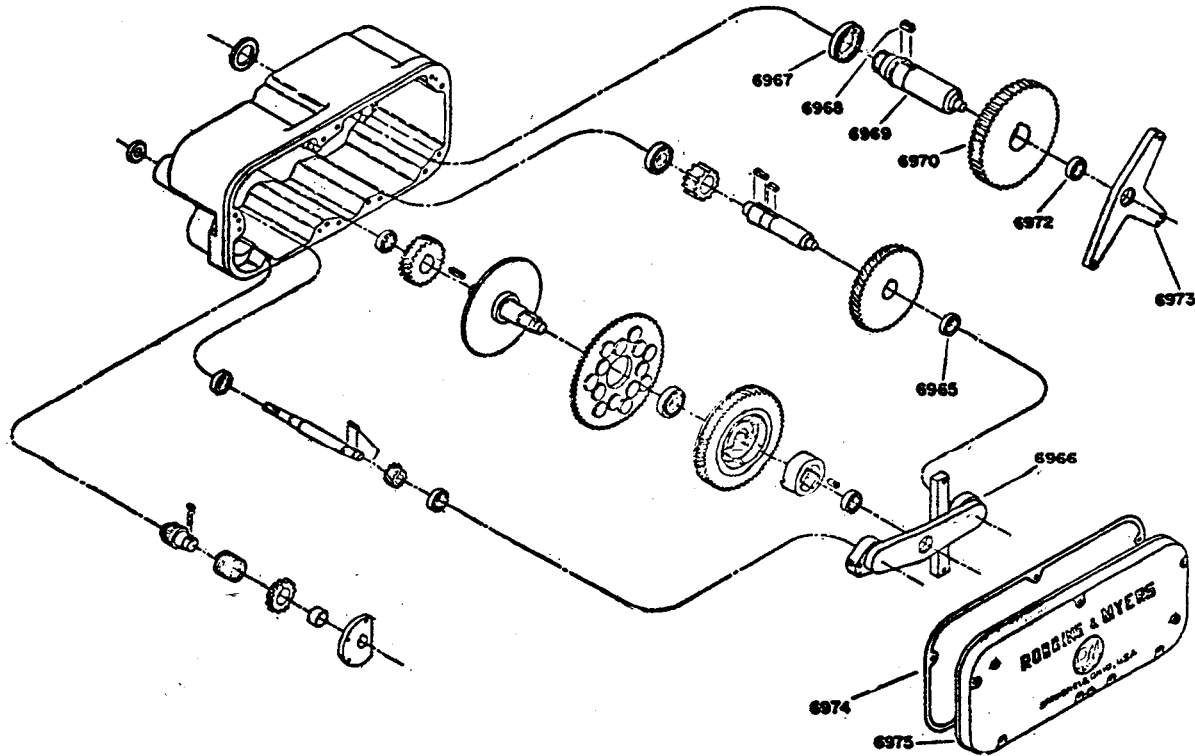
C75

2-3

GEARCASE

SEPT. 1980

ITEM NUMBER	DESCRIPTION	PART NUMBER	QUANTITY
6965	Int. Shaft & Bearing	6-30-041-307-0	1
6966	Load Brake Bearing Spider	24-05634-001	1
6967	Drum Shaft Bearing	6-30-020-120-0	1
6968	Drum Gear Key	22-02600-008	1
6970	Drum Gear	24-05633-001	1
6971	Drum Shaft Bearing	6-30-041-307-1	1
6973	Drum Shaft Bearing Spider	24-05635-001	1
6974	Gearcase Cover Gasket	24-05625-001	1
6975	Gearcase Cover	25-02826-001	1



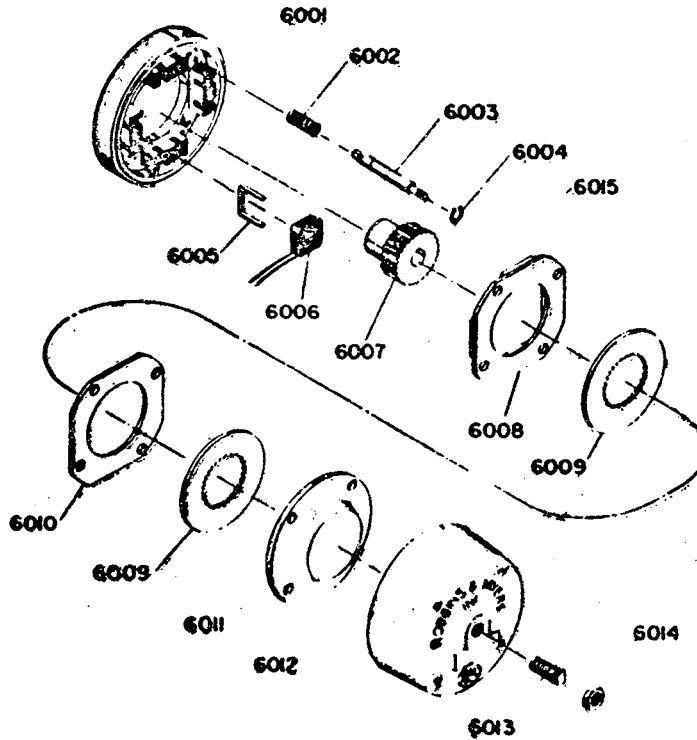
M7B

C75

90.0# BRAKE ASSY.

3-1

SEPT. 1980



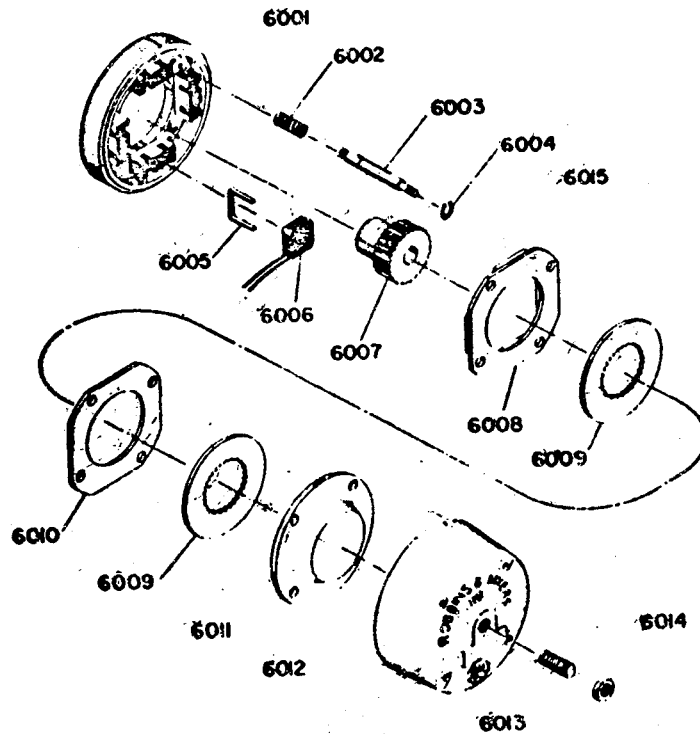
ITEM NUMBER	DESCRIPTION	PART NUMBER	QUANTITY
6000	Brake Assy. w/22-08269-002 Coil	27-16043-001	1
6001	Brake Head	24-04759-001	1
6002	Spring	22-03615-008	4
6003	Stud	23-03645-027	4
6004	Snap Ring	22-06497-032	4
6005	Coil Support	22-08471-001	4
6006	Coil 230V	22-08269-001	4
	Coil 115V	22-08269-002	4
	Coil 290V	22-08269-004	4
6007	Hub	23-06258-001	1
6008	Armature Plate Assy.	23-06098-005	1
6009	Friction Disc	22-03607-013	3
6010	Intermediate Thrust Plate	23-03648-012	2
6011	End Thrust Disc	24-04754-002	1
6012	Brake Cover	25-02207-003	1
6013	Adjustment Screw	22-03612-006	1
6014	Jam Nut	6-14-008-032-0	1

C75

3-2

M-10 BRAKE ASSY.

SEPT. 1980

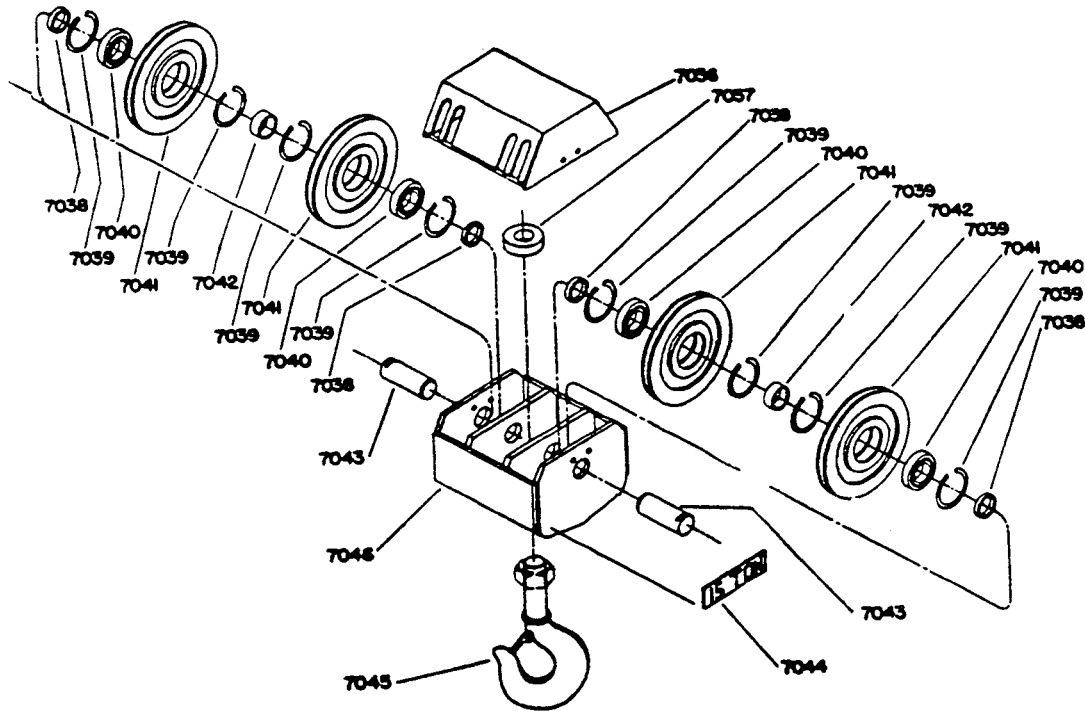


ITEM NUMBER	DESCRIPTION	PART NUMBER	QUANTITY
6000	Brake Assy. Less 6006	21-03426-001	1
6001	Brake Head	24-04865-001	1
6002	Springs	22-03615-007	8
6003	Brake Studs	23-03645-027	8
6004	Snap Rings	22-06497-032	8
6005	Coil Supports	22-08471-001	4
6006*	Coils (115 V)	22-08269-002	4
6007	Brake Hub	24-04737-007	1
6008	Armature Plate Assy.	24-04601-005	1
6009	Friction Discs	23-06246-001	2
6010	Int. Thrust Disc	23-03648-007	1
6011	End Thrust Disc	24-04602-003	1
6012	Brake Cover	25-02206-004	1
6013	Adj. Screw	22-03612-007	1
6014	Jam Nut	6-14-008-032-0	1
6015	Key	6-11-028-056-0	1

* See Brake Section for other voltages.

BOTTOM BLOCK
10 AND 15 TON

C75
4-1
SEPT. 1980



ITEM NUMBER	DESCRIPTION	PART NUMBER	QUANTITY
7036	Bottom Block Cover	23-07320-001	1
7037	Thrust Bearing	6-30-160-032-0	
7038	Spacer	22-10790-002	
7039	Snap Ring	22-02244-014	
7040	Ball Bearing	6-30-050-211-1	
7041	Rope Sheaves	23-07314-001	
7042	Spacers	22-10790-001	
7043	Sheave Pin	22-10791-001	
7044*	Capacity Plate (15 Ton)	22-08202-702 *	2
	Bottom Block Assy.	25-02830-008	1
7045	Load Hook	24-03481-013	1
	Hook Nut	6-14-007-016-0	1
	Latch Kit Assy.	22-09929-006	1
7046	Bottom Block Frame	24-05631-001	1

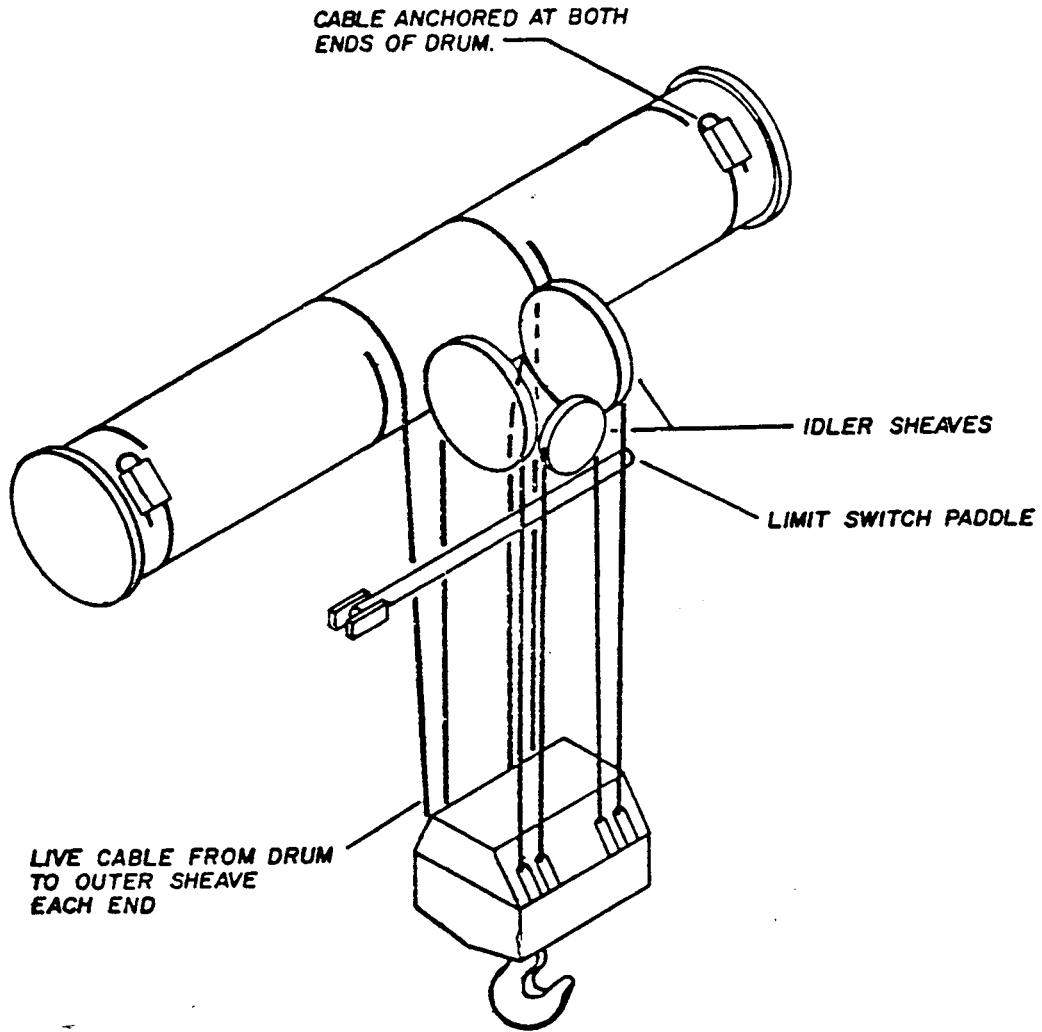
* Consult factory for other tonnage.
8 Part Bottom Block 2 Lines Off Drum.

C75

4-2

SEPT. 1980

REEVING



8 PART BOTTOM BLOCK - 2 LINES OFF DRUM

LOAD BRAKE
SERVICING INFORMATION

C75
5-1
SEPT. 1980

C75/C10 hoists units with shipping dates of approximately May 1, 1978 have the new load brake ball bearing design which replaces the previous bushing design.

The load brake parts effected are:

ITEM	<u>Bushing Design</u>	<u>Bearing Design</u>
6950 LD BR SFT	24-04730-004 Although the P/N are the same, the drawing was changed to add a retaining groove for the bearing design. The changed load bar shaft can be used in the bushing design, but shafts on bushing type load brakes are not suitable for bearing type load brakes.	24-04730-004
6950 THRUST PL	25-02299-002 These two parts are not interchangeable, but are machined from the same casting. Presently, the grp -002 is not stocked. See guidelines paragraph regarding servicing this part. Page 5-2.	25-02299-004
6951 RAT GR ASSY	24-04864-003 These two parts are not interchangeable. The ratchet gear (24-04727-003) used in the bushing design has been changed to use a reworked bearing ratchet gear (24-04727-005). Presently, the ratchet gear assembly is not stocked.	24-04864-005
6952 BUSHING	22-09329-001 The bushing is not interchangeable with the ball bearing and snap ring nor is the reverse true.	Brg 6-30-020-113-0 SN RG 22-06497-037
6954 CAM NUT-	23-06622-001	23-06622-001
6955 CAM NUT KEY	22-00584-003 These parts were not effected by the ball bearing re-design.	22-00584-003
6953 GR SPR ASSY	24-04725-GRP These parts were not effected by the ball bearing re-design.	24-04725-GRP

C75

LOAD BRAKE

5-2

SERVICING INFORMATION

SEPT. 1980

Replacement Part Guidelines

Bushing Design

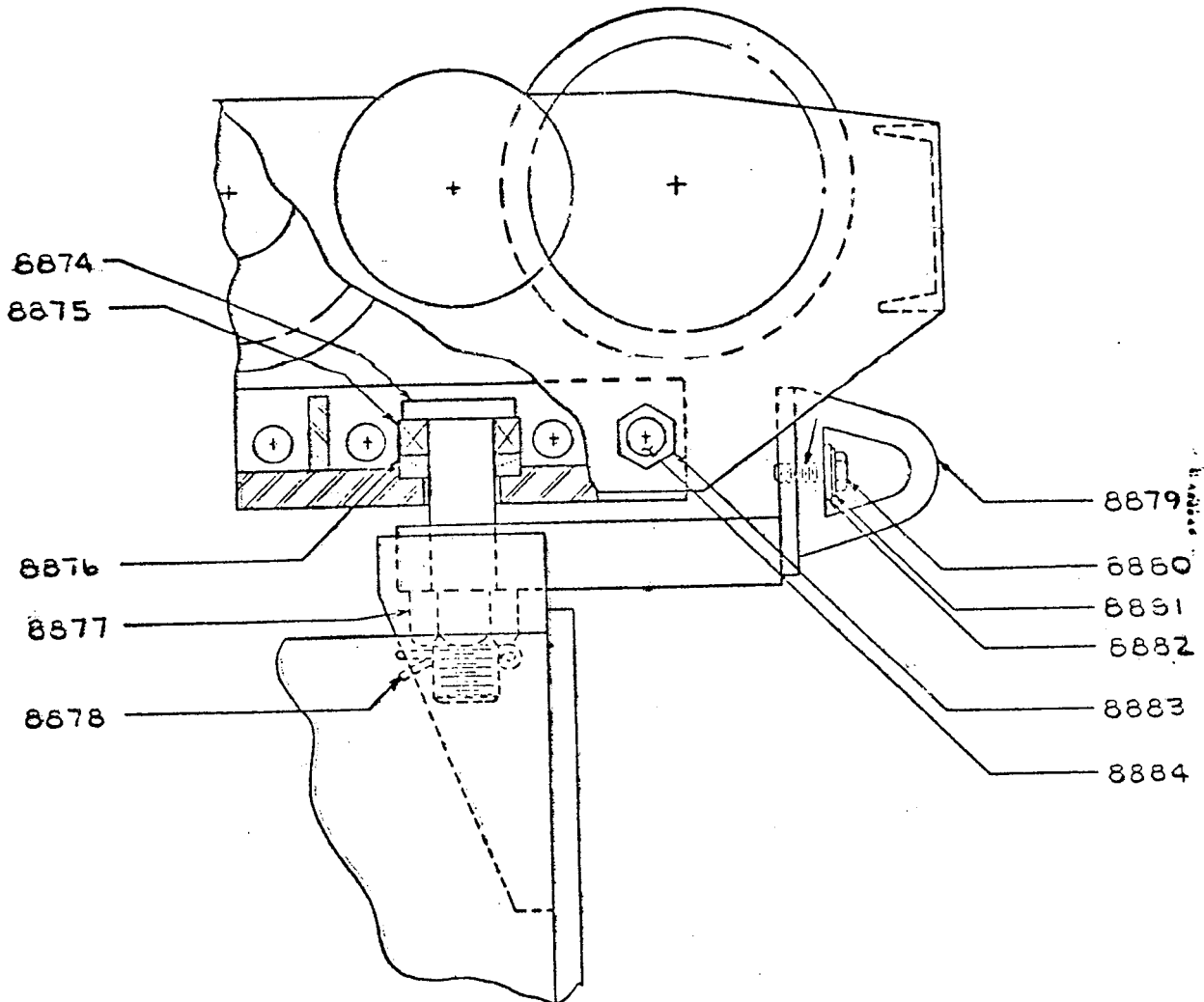
1. Bushing and/or Ratchet Gear Assy.
We should service these items with the same parts. Parts must be stocked for service based on your requirements.
2. Load Brake Shaft - Thrust Plate
The changed shaft (added retaining groove) can be used in the bushing design. If the customer requests the thrust plate also, we should offer the ball bearing load brake complete.

TROLLEY ASSEMBLY

C75

6-1

SEPT. 1980



ITEM NUMBER	DESCRIPTION	PART NUMBER	QUANTITY
8874	Swivel Pin	22-10937-001	2
8875	Thrust Bearing	6-30-160-028-0	2
8876	Spherical Washer	22-10939-001	2
8877	Hex Nut	6-14-007-015-0	2
8878	Cotter Pin	23-07932-019	2
8879	Bumper	22-11066-003	2
8880	Bolt	6-19-155-024-1	4
8881	Washer	6-23-003-007-1	4
8882	Bumper Strap	22-11065-002	2
8883	Hex Nut	6-14-007-010-0	8
8884	Stud	22-03338-004	4

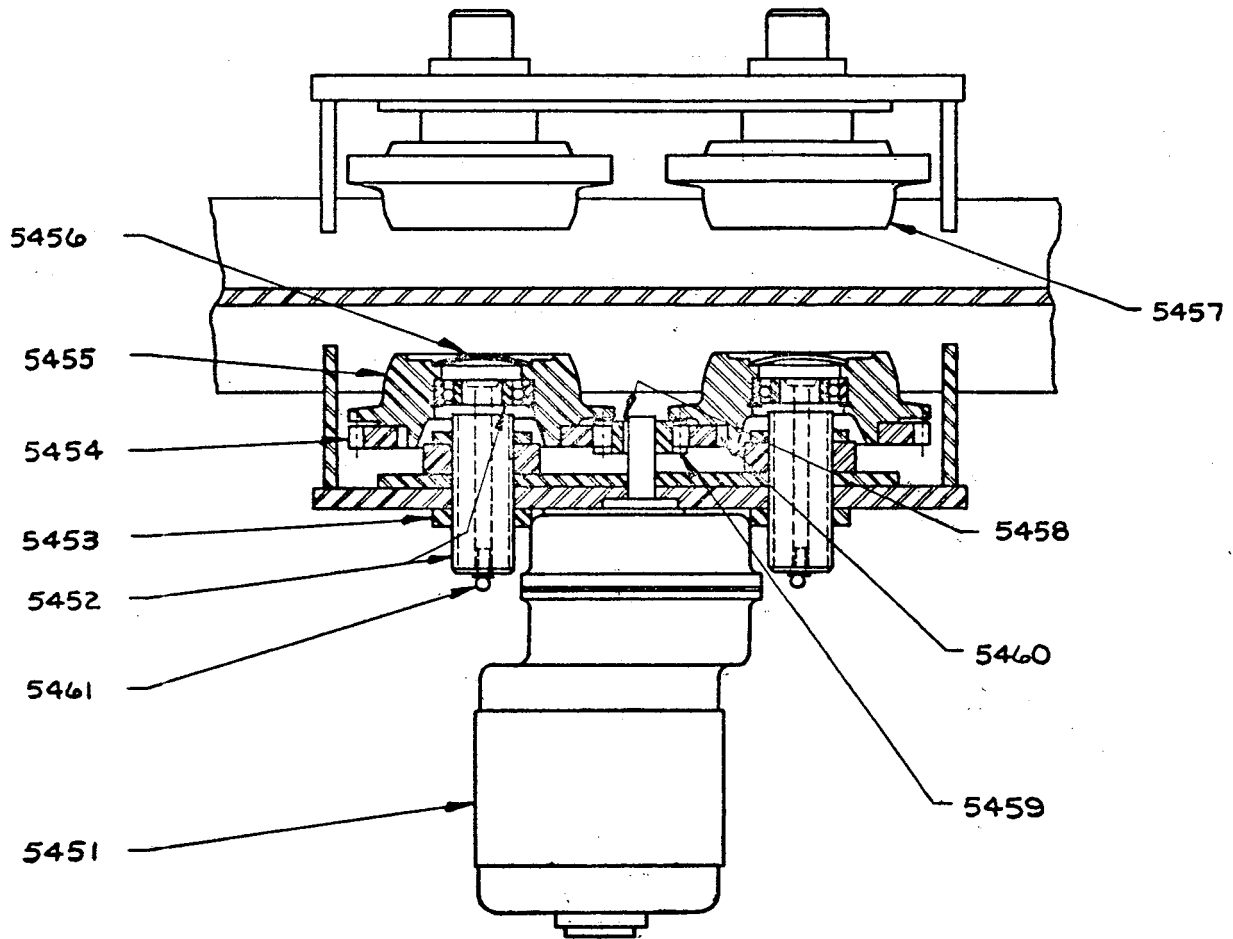
C75

C75 MONORAIL

6-2

TROLLEY DRIVE

SEPT. 1980



ITEM	DESCRIPTION	PART NUMBER	QUANTITY
5451	Gearmotor Assy.	Consult Factory	2
5452	Wheel Stud	23-05077-008	8
	Wheel Bearing	6-30-042-209-0	16
5453	Lock Collar	22-00490-001	8
5454	Wheel Gear	Part of Item 5455	
5455	Geared Wheel Assy.	23-07480-004	4
5456	Welch Plug	Not Required	-
5457	Plain Wheel	23-07177-017	4
5458	Key	6-11-024-034-0	2
5459	Pinion	22-10985-002	2
5460	Groove Pin	Not Required	-
5461	Lincoln Grease Fitting	Not Required	-