

## REFERENCE

C10

REFERENCE

SEPT. 1980

ITEM NUMBER	BASIC PARTS	PAGE NUMBER
5655-5664	10 Ton Bottom Block Parts	4-4
5665-5674	20 & 30 Ton Bottom Block Parts	4-9
5675-5678	20 & 30 Ton Bottom Block Parts	4-10
5720-5737	Gearcase & Parts	1-1
5738-5756	Misc. Gearcase Parts	1-2
5757-5769	Misc. Gearcase Parts	1-3
5770-5779	15 & 25 Ton Bottom Block Parts	4-6
5780-5787	15 & 25 Ton Bottom Block Parts	4-7
6000-6014	M7 90.0# Brake	3-1
6000-6015	M10 Brake Assy.	3-2
	Reeving 4 Part Bottom Block	4-3
	Reeving 15 Ton 6 Part Bottom Block	4-7
	Reeving 25 Ton 10 Part Bottom Block	4-7
	Reeving 20 Ton 8 Part Bottom Block	4-11
	Reeving 30 Ton 12 Part Bottom Block	4-11
6100-6109	5 Ton Bottom Block Parts	4-1
6100-6109	7½ Ton Bottom Block Parts	4-2
6765-6778	Trolley & Hoist Frame	2-1
6779-6806	Misc. Trolley Parts	2-2
6934-6957	Spring Clutch & Load Brake	1-3

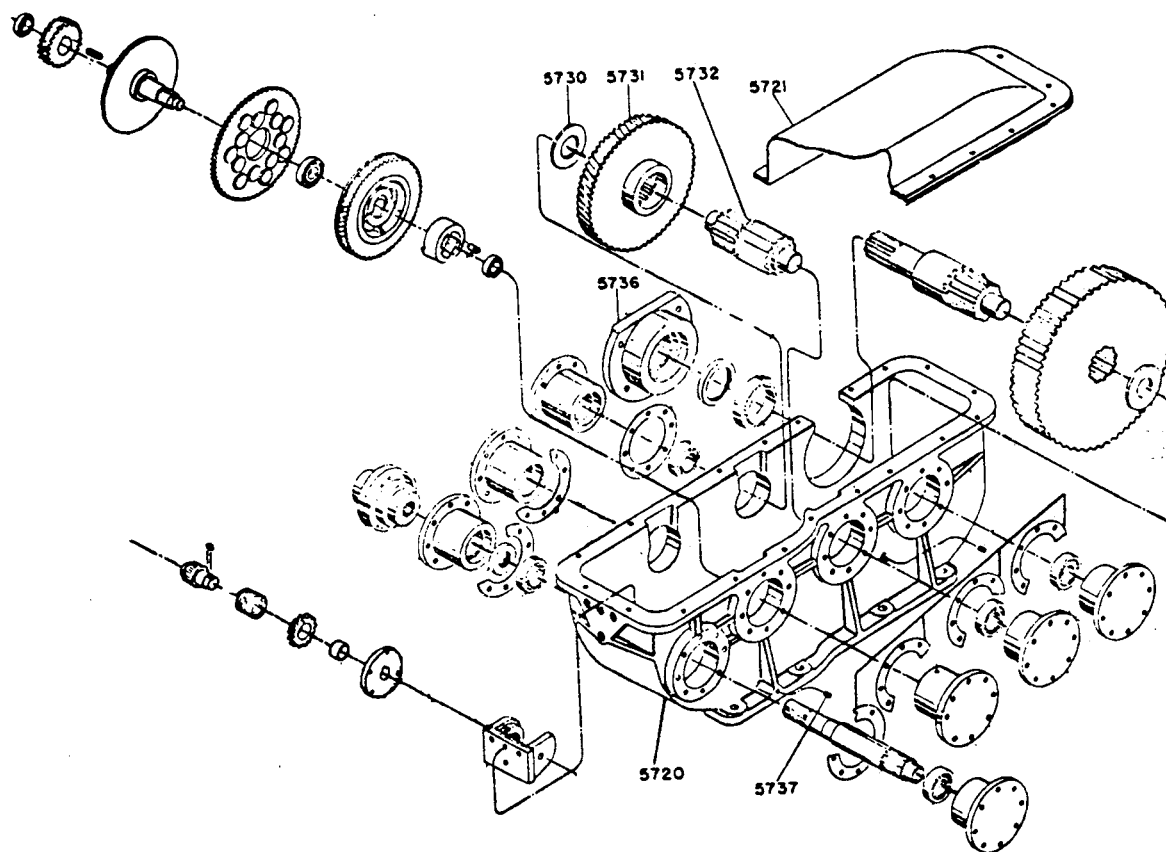


GEARCASE AND PARTS

C10

1-1

SEPT. 1980



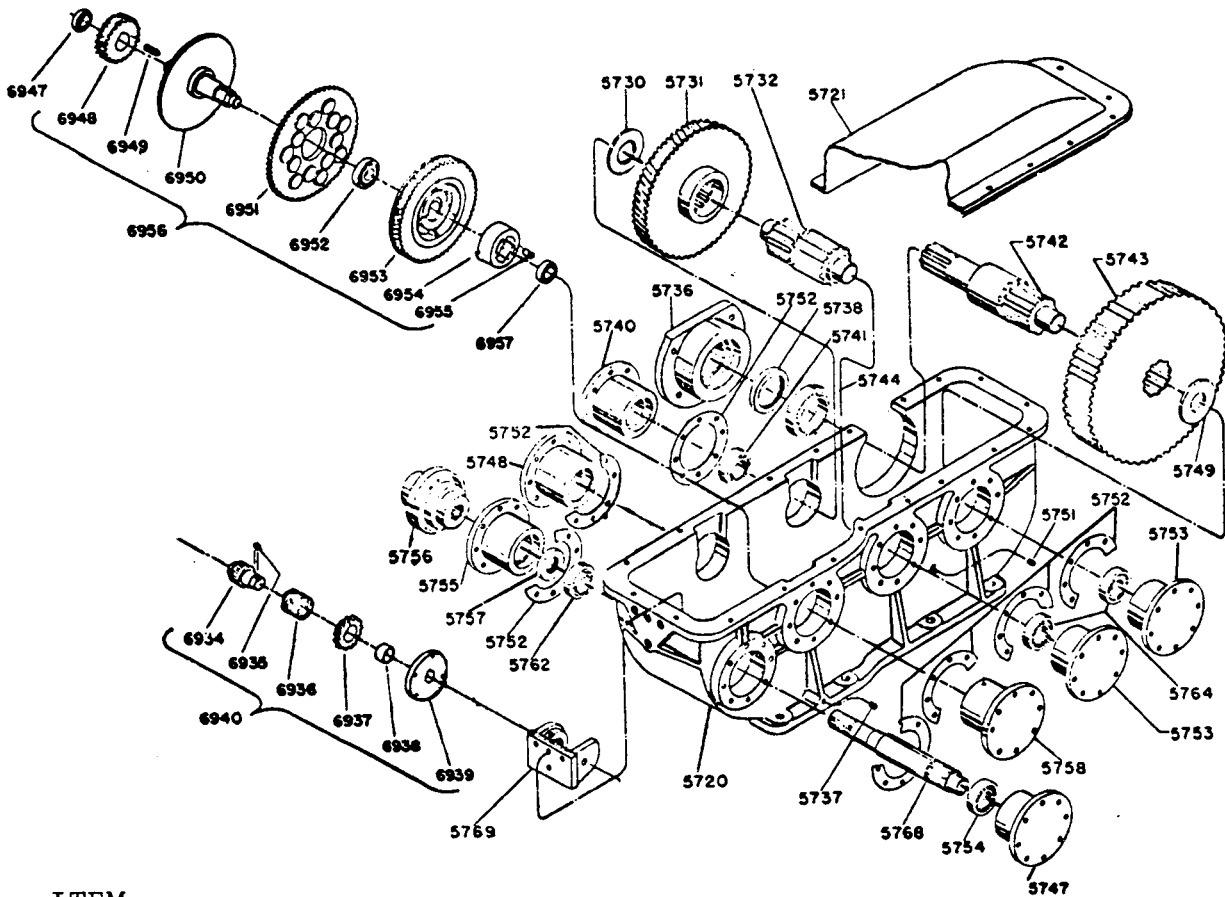
ITEM NUMBER	DESCRIPTION	PART NUMBER	QUANTITY
5720	Gearcase	26-00486-004	1
5721	Gearcase Cover	25-02242-001	1
5730	Thrust Washer	23-06224-001	1
5731	Int. Gear	24-04660-007	1
	- 4 PT. @ 27 FPM		
	- 6 PT. @ 18 FPM		
	- 8 PT. @ 14 FPM		
	Int. Gear	24-04660-005	1
	- 4 PT. @ 20 FPM		
	- 6 PT. @ 13 FPM		
	- 8 PT. @ 10 FPM		
5732	Int. Shaft & Drum Pinion	23-06225-003	1
5736	Bearing Support	24-04646-001	1
5737	Drain Plug	6-10-012-002-1	1

C10

1-2

GEARCASE AND PARTS

SEPT. 1980



ITEM NUMBER	DESCRIPTION	PART NUMBER	QUANTITY
5738	Oil Seal	22-07978-001	1
5740	Bearing Support	23-06153-006	1
5741	Roller Bearing	22-07984-001	1
5742	Drum Output Shaft	23-06282-001	1
5743	Drum Gear	24-04674-002	1
5744	Roller Bearing	22-07986-001	1
5747	Bearing Support	23-06153-004	1
5748	Bearing Support	23-06153-012	1
5749	Thrust Washer	23-06224-002	1
5751	Oil Level Plug	6-10-012-004-1	1
5752	Shims	6-23-020-120-0	10
5753	Bearing Supports	23-06153-005	1
5754	Roller Bearing	22-07981-001	1
5755	Bearing Support	23-06153-005	1
5765	Sleeve & Cover	24-05910-001	1
	Splined Hub	24-05910-007	1
	Bored Hub	24-05910-021	1

## GEARCASE AND PARTS

C10

1-3

SEPT. 1980

ITEM NUMBER	DESCRIPTION	PART NUMBER	QUANTITY
5757	Oil Seal	22-07977-001	1
5758	Bearing Support	23-06153-012	1
5762	Roller Bearing	22-07980-001	1
5764	Roller Bearing	22-07981-001	1
5768	Extension Shaft	24-04717-002	1
5769	Bracket	24-04726-007	1
6934	Clutch Shaft	23-06740-001	1
6935	Clutch Shaft Key	6-11-028-020-0	1
6936	Spring	22-09561-003	1
6937	Pinion	23-06741-005	1
6938	Bushing	22-02829-003	1
6940	Spring Clutch Assy.	24-05236-004	1
6947	Load Brake Shaft Bearing	6-30-041-307-0	1
6948*	Load Brake Pinion	23-06623-001	1
	4 PT. @ 27 FPM		
	6 PT. @ 18 FPM		
	8 PT. @ 14 FPM		
	Load Brake Pinion	23-06623-002	1
	4 PT. @ 20 FPM		
	6 PT. @ 13 FPM		
	8 PT. @ 10 FPM		
6949**	Load Brake Pinion Key	6-11-003-032-0	1
6950**	Load Brake Shaft	24-04730-004	1
	** Thrust Disc	25-02299-003	1
6951**	Free Wheeling Gear Assy.	24-04864-005	1
6952**	Bearing	6-30-020-113-0	1
6953*	Motor Gear Spider Assy.	24-04225-005	1
	270 FT Tons - Max.		
6953*	Motor Gear And Spider Assy.	24-04725-004	1
6954	Load Brake Cam Nut	23-06622-001	1
6955	Cam Nut Key	22-00584-003	1
6956	Load Brake Assy. (Reference Only)	25-02510-004	1
6957	Load Brake Shaft Bearing	6-30-041-307-0	1

\* Consult factory for other speeds.

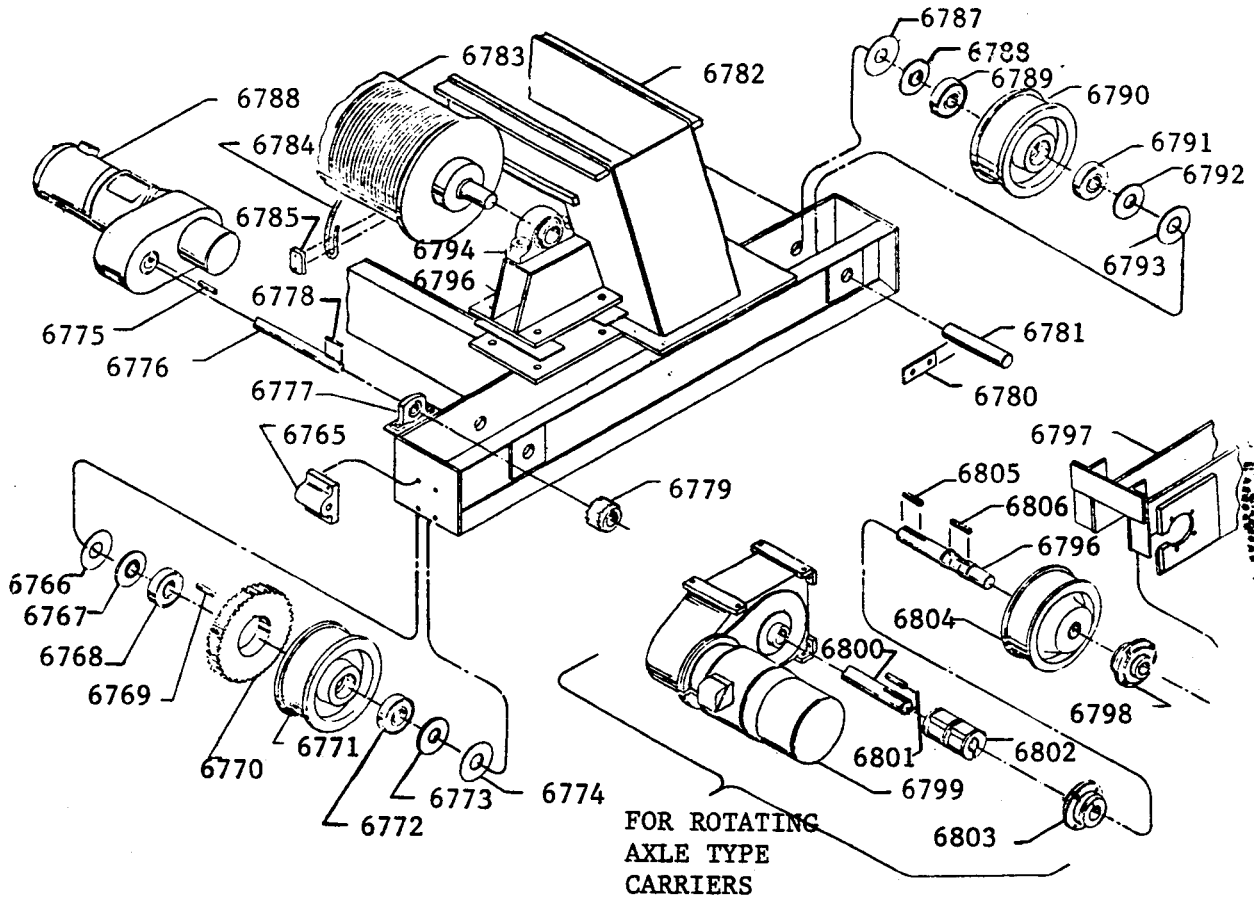
\*\* These items were altered. See information covering "Load Brake Servicing Information" on page 5-1 and 5-2 of C75 Section.

C10

TROLLEY PARTS

2-1

SEPT. 1980



ITEM NUMBER	DESCRIPTION	PART NUMBER	QUANTITY
6765	Bumper	22-09426-002	4
6766	Spacer Washer	No Longer Required	0
6767*	Thrust Washer	22-07811-001	2
6768*	Ball Bearing	6-30-084-210-0	2
6769*	Groove Pin	6-16-101-816-1	2
6770	Wheel Gear	23-06451-005	2
6771	Geared Wheel	23-07022-002	2
6772*	Ball Bearing	6-30-084-210-0	2
6773*	Thrust Washer	22-07811-001	2
6774	Spacer Washer	No Longer Required	0
6775	Key	6-11-026-038-0	1
6776	Cross Shaft	22-09026-006	1
6777	Pillow Block Bearing	22-07892-002	2
6778	Key	6-11-026-038-0	2

\* 2 Required per wheel.

## TROLLEY PARTS

C10

2-2

SEPT. 1980

ITEM NUMBER	DESCRIPTION	PART NUMBER	QUANTITY
6779	Pinion	22-08896-001	2
6780	Keeper Plate	22-01801-001	4
6781	Wheel Pin	23-01064-018	4
6782	Main Frame	25-02276-053	1
6783***	Rope Drum (6'0" Rail to Rail Hoist)	25-03009-002	1
6784**	Hoisting Cable	22-04383-001	2
6785	Rope Clip	22-07129-008	2
6786	Trolley Drive (See Separate Bulletin)	29-21071-000	1
6787	Spacer Washer	No Longer Required	0
6788*	Thrust Washer	22-07811-001	2
6789*	Ball Bearing	6-30-084-210-0	2
6790	Idler Wheel	23-07021-002	2
6791*	Ball Bearing	6-30-084-210-0	2
6792*	Thrust Washer	22-07811-001	2
6793	Spacer Washer	No Longer Required	0
6794	Drum Stud Bearing	22-08295-001	1
6795	Drum Stud Bracket	24-04720-009	1

## FOR ROTATING AXLE TYPE CARRIERS ONLY

6796	Drive Axle	23-06771-031	2
6796	Idler Axle	23-06771-032	2
6797	Main Frame	25-02276-085	1
6798*	Cartridge Bearing	22-09600-005	2
6799	Trolley Drive (See Separate Bulletin)	29-21071-000	1
6800	Cross Shaft	22-10437-016	1
6801	Key	6-11-028-056-0	1
6802	Coupling	23-06527-003	1
6803*	Cartridge Gearing	22-09600-005	2
6804	Idler Wheel (12")	23-07021-006	2
6804	Drive Wheel (12")	23-07021-007	2
6805	Key	6-11-028-056-0	2
6806	Key	6-11-028-056-0	2

\* 2 Required per wheel.

\*\* Consult factory for cable length.

\*\*\* Consult factory for other rail to rail hoist.

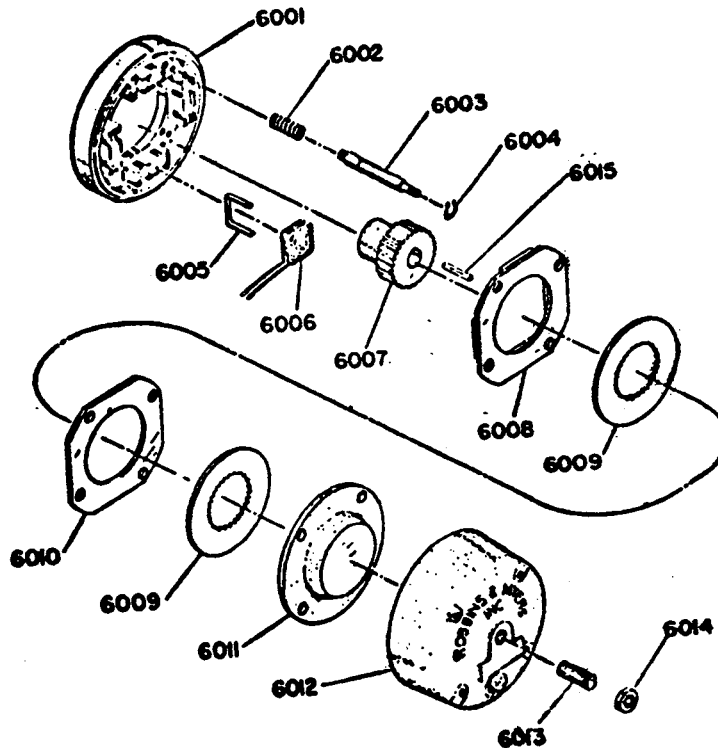
C10

M7B

3-1

90.0# BRAKE ASSY.

SEPT. 1980



ITEM NUMBER	DESCRIPTION	PART NUMBER	QUANTITY
6000	Brake Assv. Complete (Less 6006)	27-16043-001	1
6001	Brake Head	24-04759-001	1
6002	Spring	22-03615-008	4
6003	Stud	23-03645-027	4
6004	Snap Ring	22-06497-032	4
6005	Coil Support	22-08471-001	4
6006	Coil 230V	22-08269-001	4
	Coil 115V	22-08269-002	4
	Coil 290V	22-08269-004	4
6007	Hub	23-06258-001	1
6008	Armature Plate Assy.	23-06098-005	1
6009	Friction Disc	22-03607-013	3
6010	Intermediate Thrust Plate	23-03648-012	2
6011	End Thrust Disc	24-04754-002	1
6012	Brake Cover	25-02207-003	1
6013	Adjustment Screw	22-03612-006	1
6014	Jam Nut	6-14-008-032-0	1

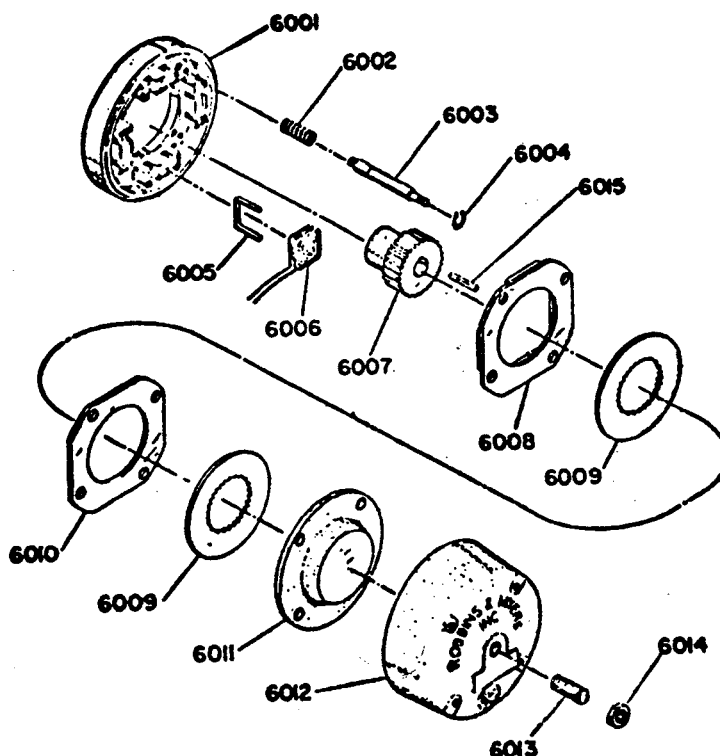


M10 BRAKE ASSY.

C10

3-2

SEPT. 1980



ITEM NUMBER	DESCRIPTION	PART NUMBER	QUANTITY
6000	Brake Assy.	21-03426-001	1
6001	Brake Head	24-04865-001	1
6002	Springs	22-03615-007	8
6003	Brake Studs	23-03645-027	8
6004	Snap Rings	22-06497-032	8
6005	Coil Supports	22-08471-001	4
6006	Coils 115V *	22-08269-002	4
6007	Brake Hub	24-04737-007	1
6008	Armature Plate Assy.	24-04601-005	1
6009	Friction Discs	23-06246-001	2
6010	Int. Thrust Disc	23-03648-007	1
6011	End Thrust Disc	24-04602-003	1
6012	Brake Cover	25-02206-004	1
6013	Adj. Screw	22-03612-007	1
6014	Jam Nut	6-14-008-032-0	1
6015	Key	6-11-028-056-0	1

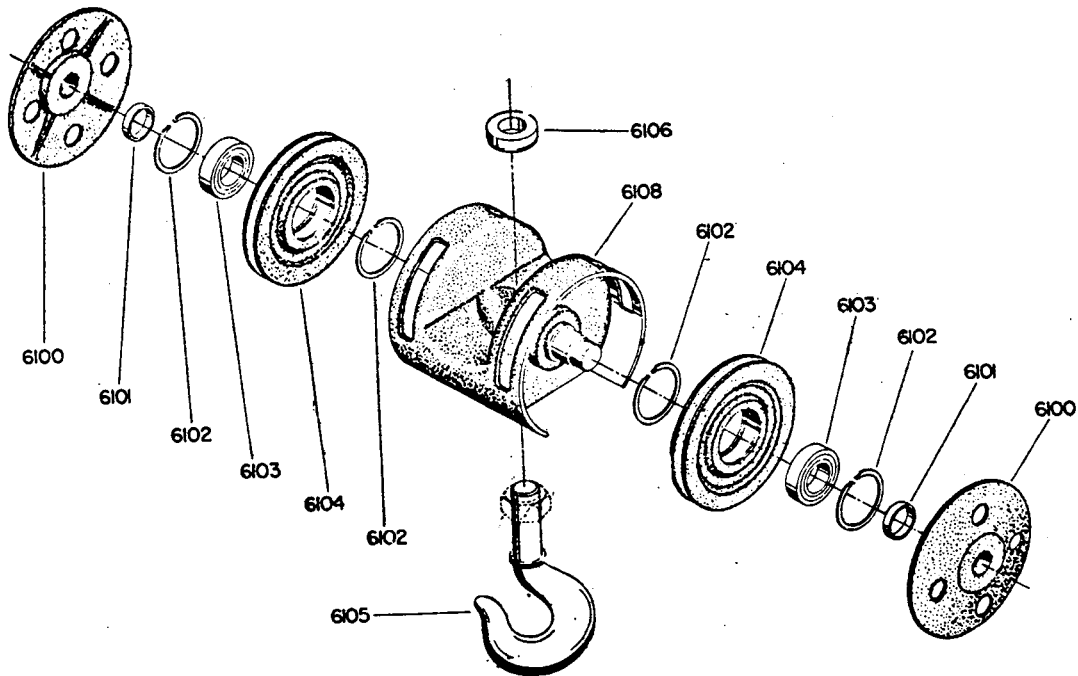
\* See Brake Section for other voltages.

C10

4-1

5 TON BOTTOM BLOCK

SEPT. 1980



ITEM NUMBER	DESCRIPTION	PART NUMBER	QUANTITY
6100	Sheave Cover	24-00145-001	2
6101	Spacers	22-02265-006	2
6102	Snap Rings	22-06498-011	4
6103	Ball Bearings	6-30-050-310-1	2
6104	Rope Sheaves	24-00148-011	2
6105	Load Hook	24-00146-001	1
6106	Thrust Bearing	6-30-160-026-0	1
6107	Hook, Nut, Brg. Assy.	No Number	-
6108	Sheave Frame	25-00073-006	1
6109	Complete Block Assy.	25-02440-024	1
	Nut	6-14-009-015-0	1
	Latch Kit	22-09929-005	1

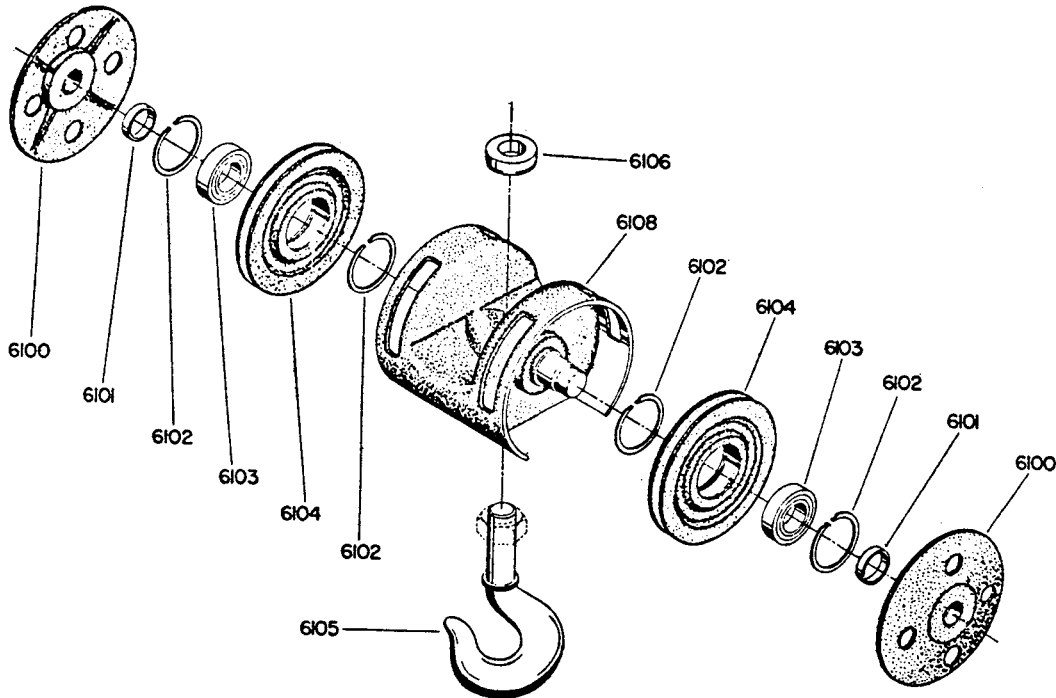
4 Part Bottom Block 2 Lines Off Drum

7½ TON BOTTOM BLOCK

C10

4-2

SEPT. 1980



ITEM NUMBER	DESCRIPTION	PART NUMBER	QUANTITY
6100	Sheave Cover	24-03844-001	2
6101	Spacers	22-02265-006	2
6102	Snap Rings	22-06498-011	4
6103	Ball Bearing	6-30-050-310-1	2
6104	Rope Sheave	24-00148-011	2
6105	Load Hook	24-00147-001	1
6106	Thrust Bearing	6-30-160-028-0	1
6107	Hook, Nut, Brg. Assy.	No Number	-
6108	Sheave Frame	25-00071-003	1
6109	Complete Block Assy.	25-02440-006	1
	Nut	6-14-007-015-0	1
	Latch Kit	22-09917-012	1

4 Part Bottom Block 2 Lines Off Drum

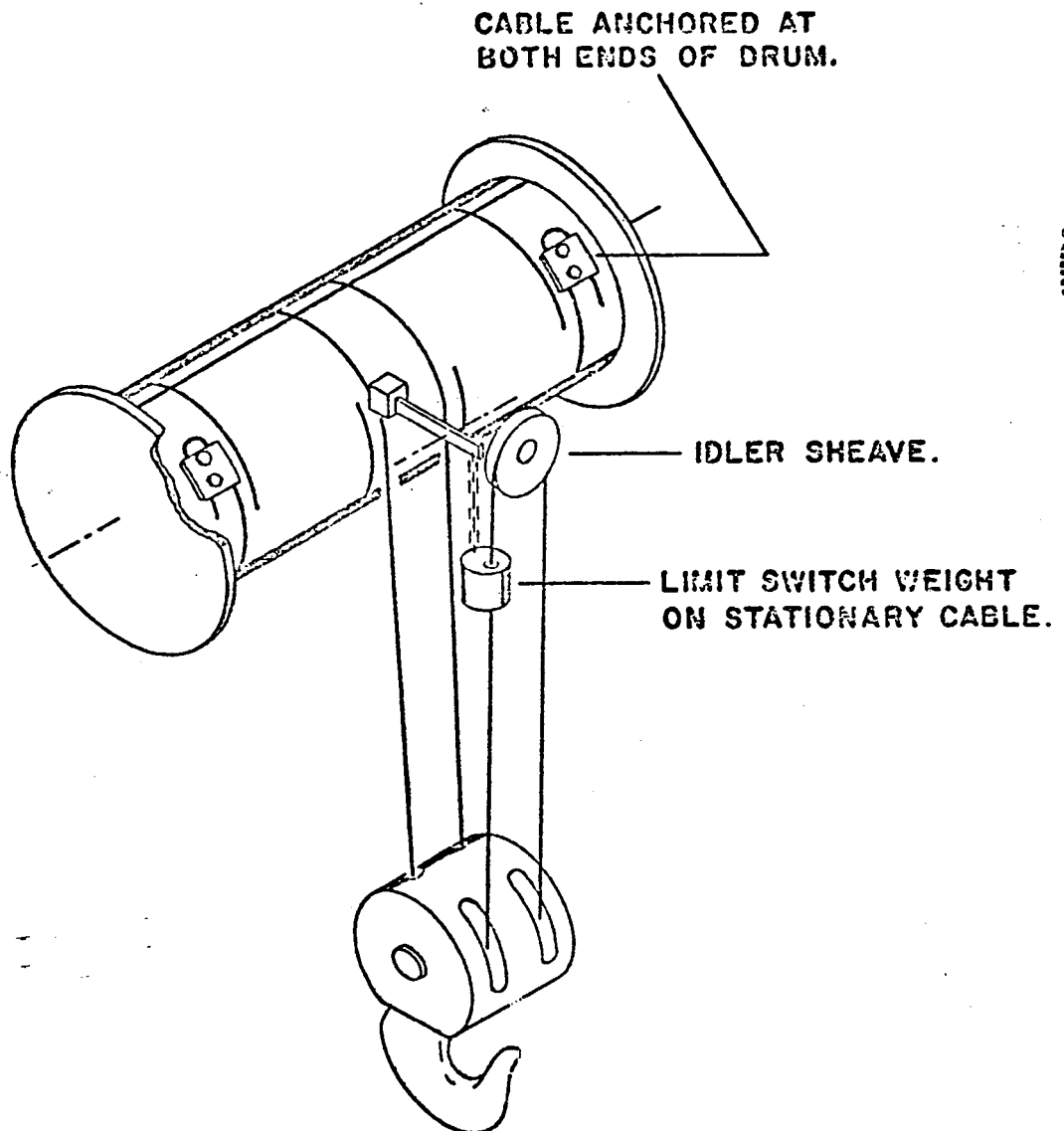
C10

4-3

SEPT. 1980

REEVING

4 Part Bottom Block  
2 Lines Off Drum

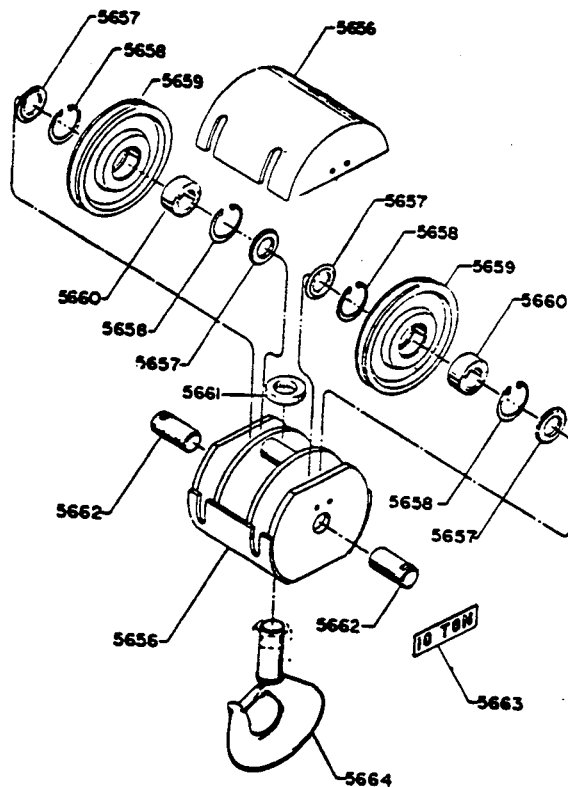


10 TON BOTTOM BLOCK

C10

4-4

SEPT. 1980



ITEM NUMBER	DESCRIPTION	PART NUMBER	QUANTITY
5655*	10 Ton Bottom Block Assy.	24-04734-009	1
5656	Bottom Block Frame	23-06818-001	1
5656	Top Cover	23-06821-001	1
5657	Thrust Washer	22-08200-001	4
5658	Retaining Ring	22-06498-011	4
5659	Rope Sheave	24-00543-003	2
5660	Ball Bearing	6-30-083-212-1	2
5661	Thrust Bearing	6-30-160-028-0	1
5662	Sheave Pin	22-09700-001	1
5663	Capacity Plate (10Ton)	22-06819-001	2
5664	Load Hook	24-03481-025	1
5664	Load Hook Nut	6-14-007-015-0	1
5664	Latch Kit Assy.	22-09929-006	1

\* Use this number when ordering complete assy.

4 Part Bottom Block 2 Lines Off Drum

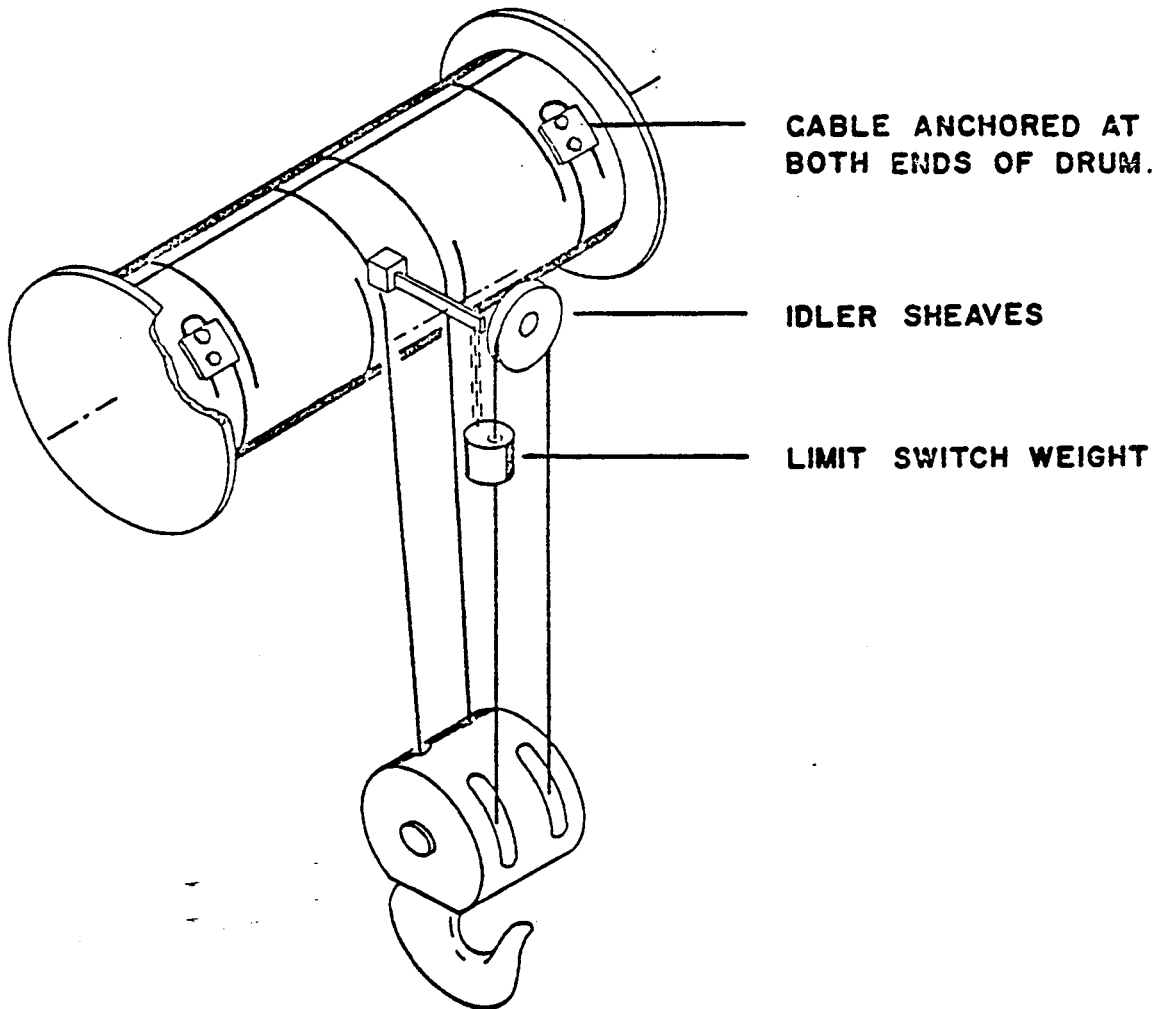
C10

4-5

SEPT. 1980

REEVING

4 Part Bottom Block  
2 Lines Off Drum

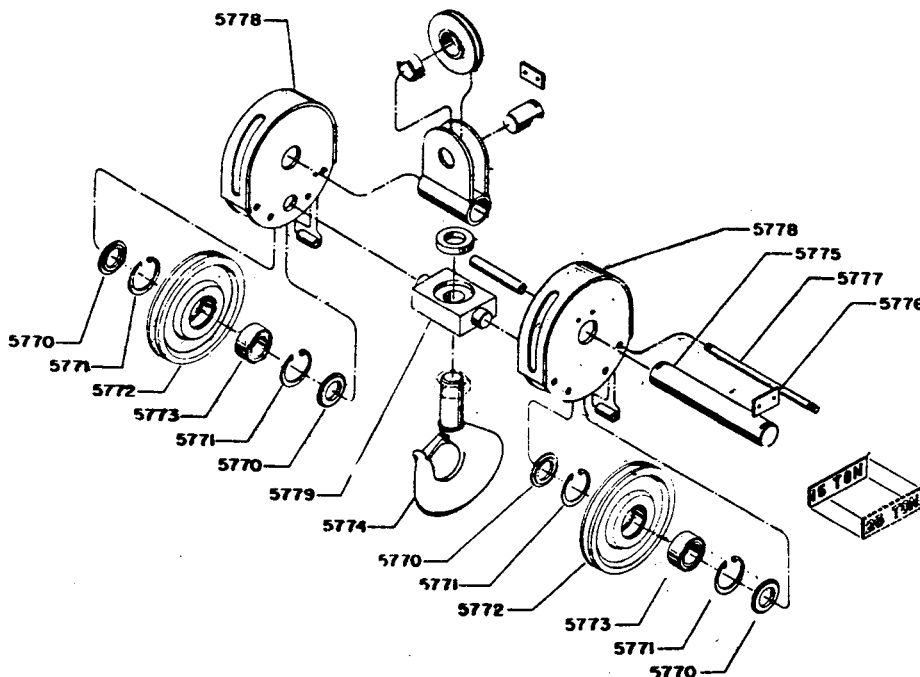


BOTTOM BLOCK 15&25 TON

C10

4-6

SEPT. 1980



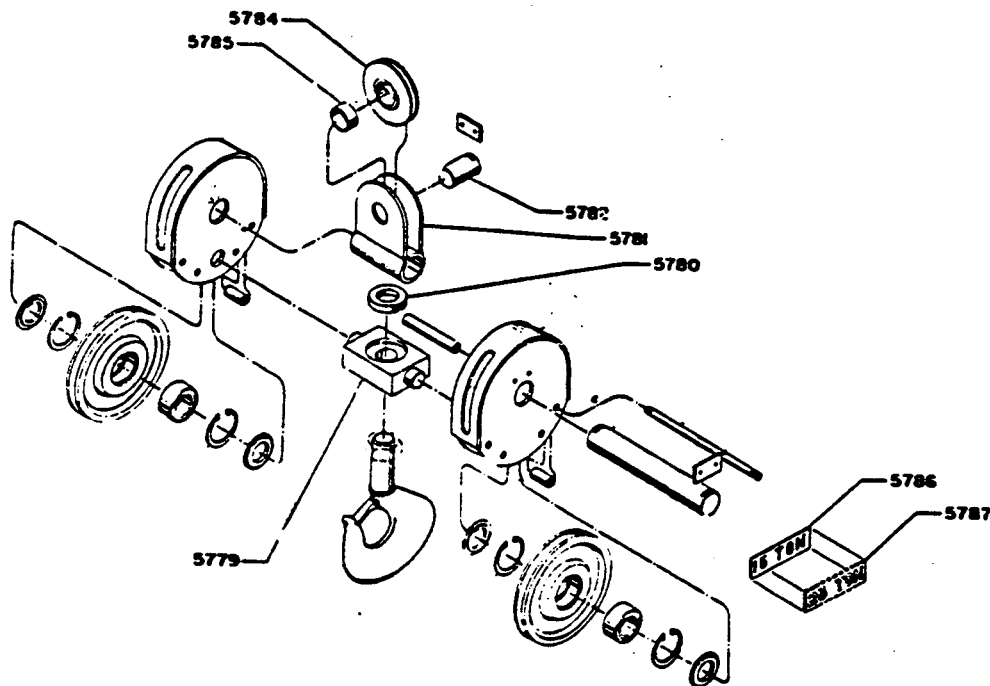
ITEM NUMBER	DESCRIPTION	PART NUMBER	QUANTITY	
			15T	25T
5770	Thrust Washer	22-08200-001	4	8
5771	Retaining Rings	22-06498-011	4	8
5772	Rope Sheaves	24-00543-003	2	4
5773	Ball Bearing	6-30-083-212-1	2	4
5774	Load Hook	24-03481-013	1	-
	Load Hook	24-01111-002	-	1
	Latch Kit	22-09929-006	1	-
	Latch Kit	22-09917-005	-	1
5775	Sheave Pin	23-06227-005	1	-
		23-06230-002	-	1
5776	Keeper Plate	22-01801-001	-	1
5777	Guard Pin	22-08201-001	-	4
5778	Block Housing	24-04741-002	1	-
		24-04723-002	-	1
		24-04723-001	-	1
5779	Trunion	23-06234-001	-	1

C10

4-7

BOTTOM BLOCK 15&25 TON

SEPT. 1980



ITEM NUMBER	DESCRIPTION	PART NUMBER	QUANTITY	
			15T	25T
5780	Thrust Bearing	6-30-160-032-0 22-02256-001	1 -	- 1
5781	Eq. Sheave Bracket	23-05782-006 23-05782-004	1 -	- 1
5782	Sheave Pin	22-01741-001	1	1
5784	Equalizer Sheave	24-00148-007	1	1
5785	Sheave Bushing	22-00600-002	1	1
5786	Capacity Plate	22-08202-702	2	-
5787	Capacity Plate	22-08202-705	-	2
	15 Ton Bottom Block Assy.	24-04734-016	1	-
	25 Ton Bottom Block Assy.	25-02280-015	-	1
	15 Ton 6 Part Bottom Block 2 Lines Off Drum			
	25 Ton 10 Part Bottom Block 2 Lines Off Drum			

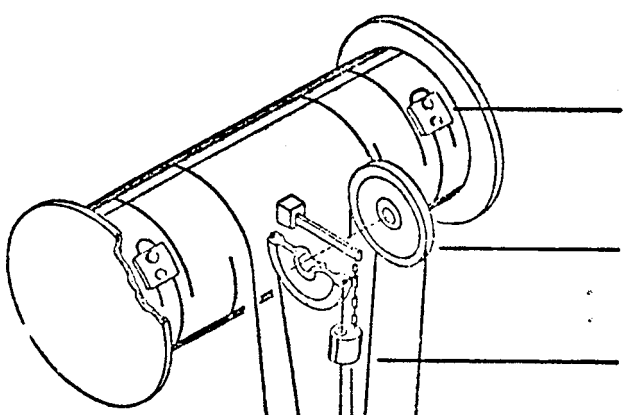


REEVING

C10

4-8

REEVING

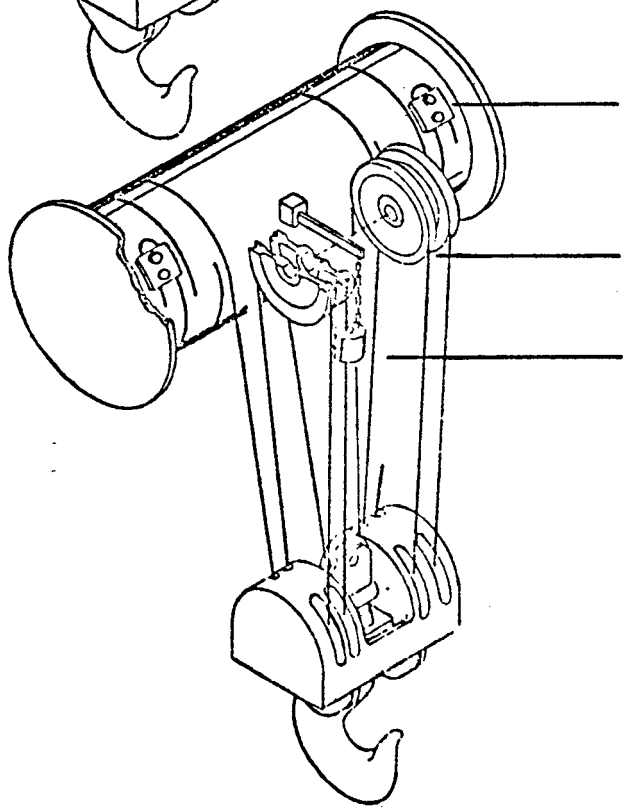


15 Ton 6 Part Bottom Block  
2 Lines Off Drum

**CABLE ANCHORED AT  
BOTH ENDS OF DRUM.**

**IDLER SHEAVES**

**LIMIT SWITCH WEIGHT**



25 Ton 10 Part Bottom Block  
2 Lines Off Drum

**CABLE ANCHORED AT  
BOTH ENDS OF DRUM.**

**IDLER SHEAVES**

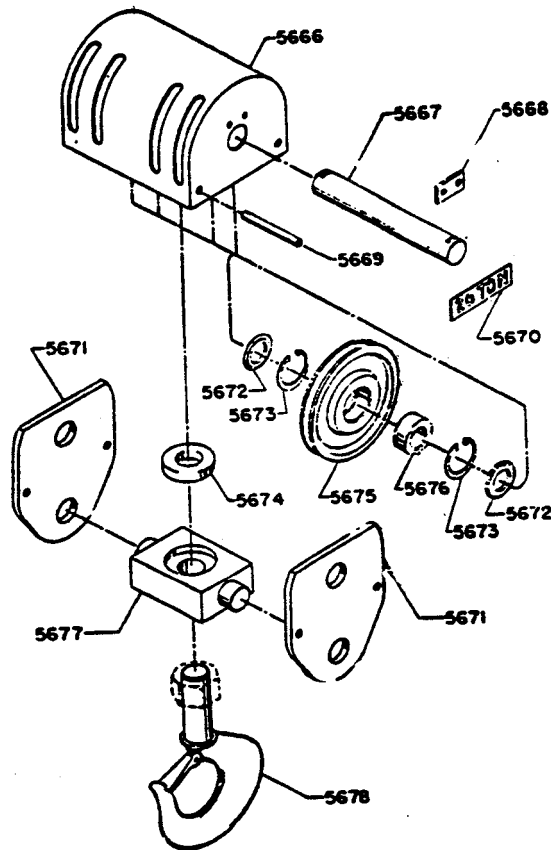
**LIMIT SWITCH WEIGHT**

C10

4-9

BOTTOM BLOCK 20&30 TON

SEPT. 1980



ITEM NUMBER	DESCRIPTION	PART NUMBER	QUANTITY	
			20T	30T
5665	Bottom Block Assy.	25-02280-011	1	-
		25-02280-013	-	1
5666	Bottom Block Cover	24-04723-001	1	-
		24-04723-003	-	1
5667	Sheave Pin	23-06230-002	1	-
		23-06230-003	-	1
5668	Keeper Plate	22-01801-001	1	-
		22-01801-005	-	1
5669	Guard Pin	22-08201-001	4	-
		22-08201-002	-	4
5670	Capacity Plate	22-08202-703	1	-
		22-08202-708	-	1
5671	Load Plates	23-06233-001	2	-
		23-06233-003	-	2
5672	Thrust Washer	22-08200-001	8	12
5673	Retaining Rings	22-06498-011	8	12
5674	Thrust Bearing	22-02256-001	1	-
		22-02905-001	-	1

BOTTOM BLOCK 20&30 TON

C10

4-10

SEPT. 1980

ITEM NUMBER	DESCRIPTION	PART NUMBER	QUANTITY	
			20T	30T
5675	Rope Sheaves	24-00543-003	4	6
5676	Ball Bearing	6-30-083-212-1	4	6
5677	Hook Trunion	23-06234-001	1	-
		23-06234-003	-	1
5678	Load Hook	24-01111-001	1	-
		24-05280-001	-	1
	Latch Kit	22-09917-015	1	-
		22-09929-008	0	1

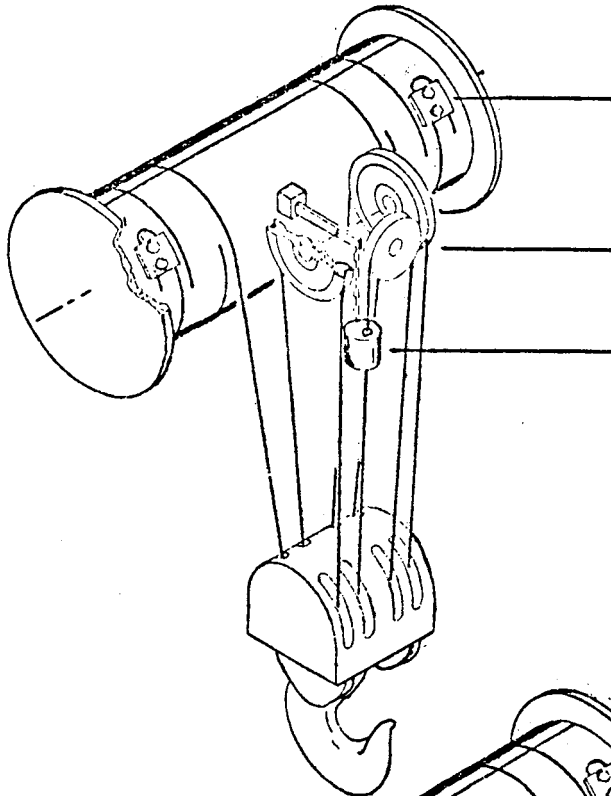
20 Ton 8 Part Bottom Block 2 Lines Off Drum  
 30 Ton 12 Part Bottom Block 2 Lines Off Drum

C10

4-11

SEPT. 1980

REEVING

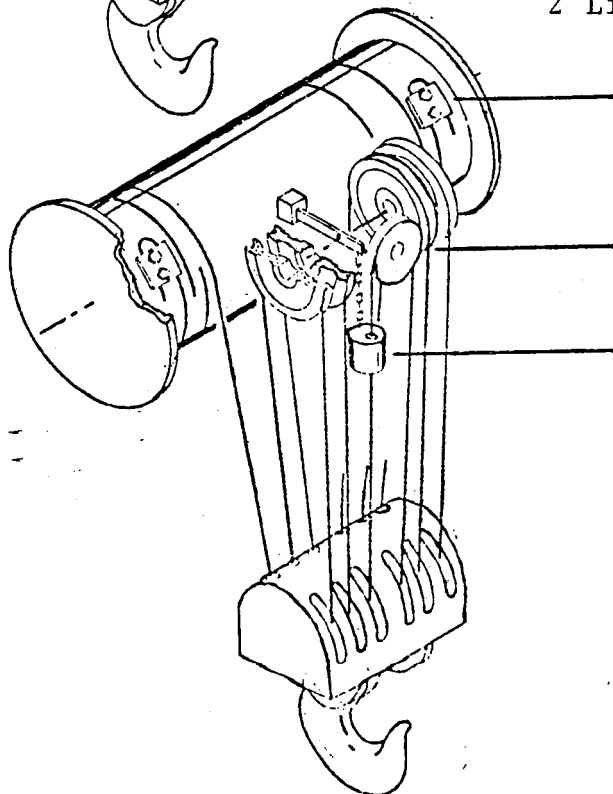


20 Ton 8 Part Bottom Block  
2 Lines Off Drum

CABLE ANCHORED AT  
BOTH ENDS OF DRUM.

IDLER SHEAVES

LIMIT SWITCH WEIGHT  
ON STATIONARY CABLE.



30 Ton 12 Part Bottom Block  
2 Lines Off Drum

CABLE ANCHORED AT  
BOTH ENDS OF DRUM.

IDLER SHEAVES

LIMIT SWITCH WEIGHT  
ON STATIONARY CABLE.