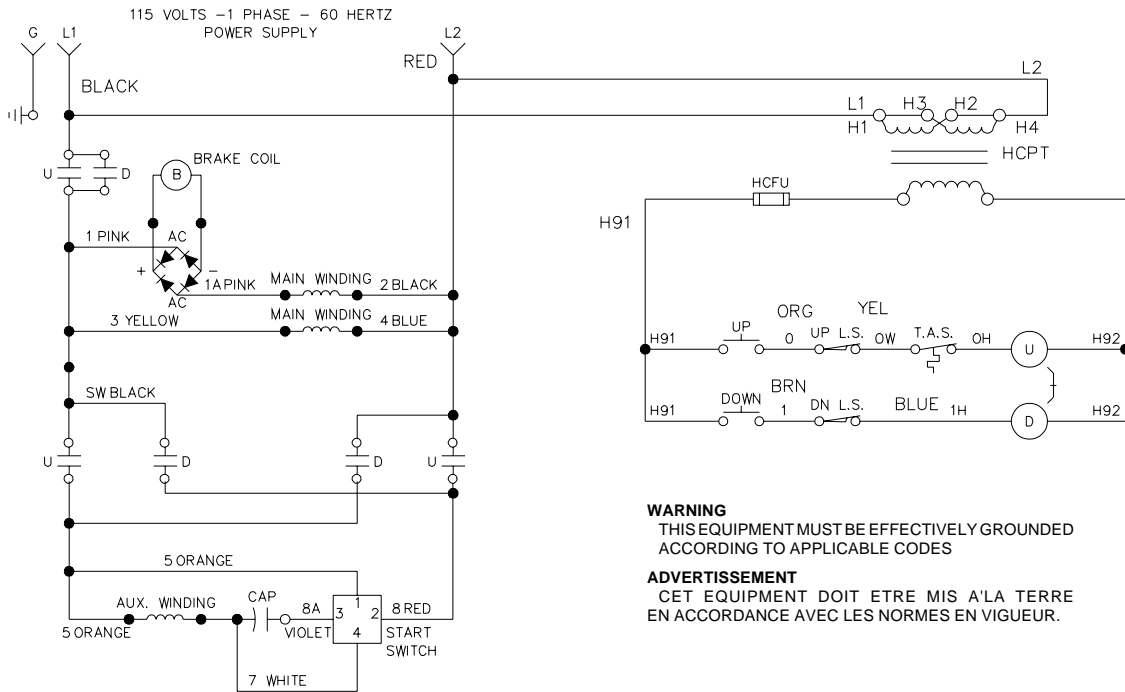


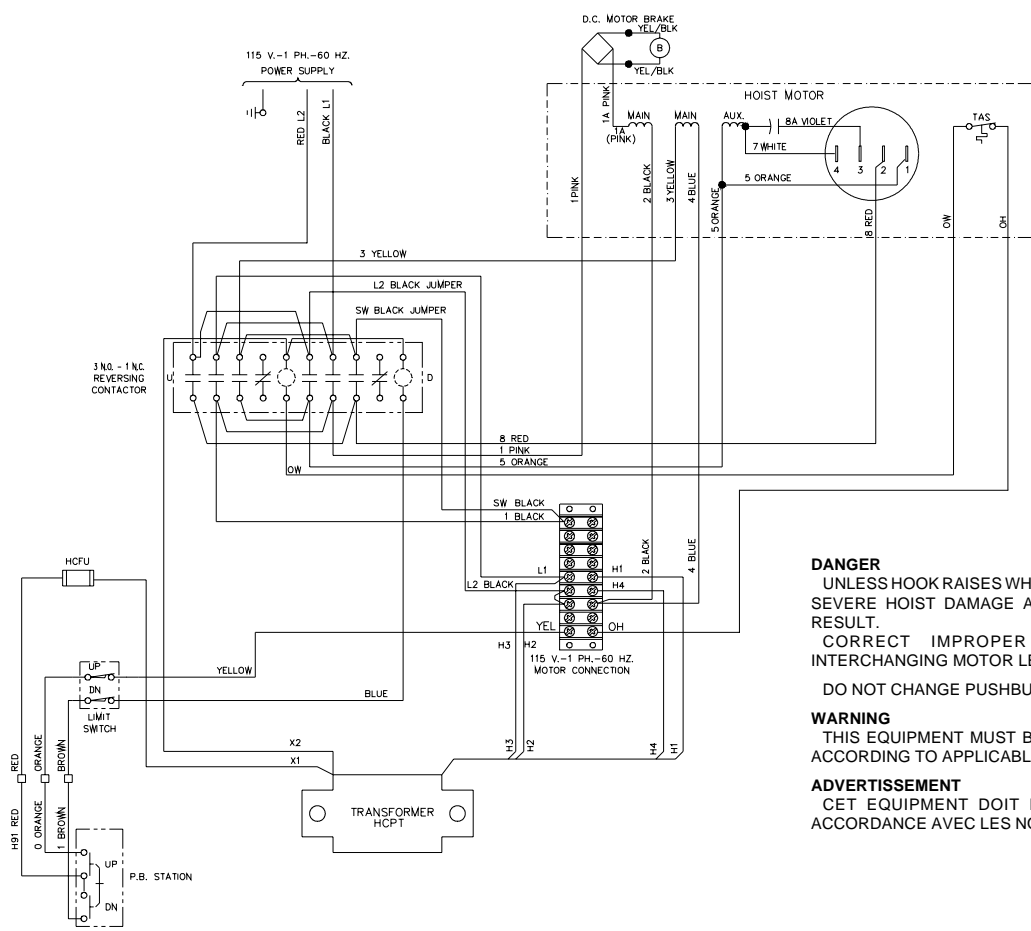
115/230 VOLT RECONNECTABLE, 1 PHASE, SINGLE SPEED HOIST WITH TRANSFORMER



WARNING
THIS EQUIPMENT MUST BE EFFECTIVELY GROUNDED ACCORDING TO APPLICABLE CODES

ADVERTISSEMENT
CET EQUIPEMENT DOIT ETRE MIS A LA TERRE EN ACCORDANCE AVEC LES NORMES EN VIGUEUR.

333171-04



DANGER
UNLESS HOOK RAISES WHEN "UP" BUTTON IS PRESSED SEVERE HOIST DAMAGE AND A DROPPED LOAD MAY RESULT.
CORRECT IMPROPER HOOK DIRECTION BY INTERCHANGING MOTOR LEADS ORANGE (5) & RED (8).
DO NOT CHANGE PUSHBUTTON WIRING.

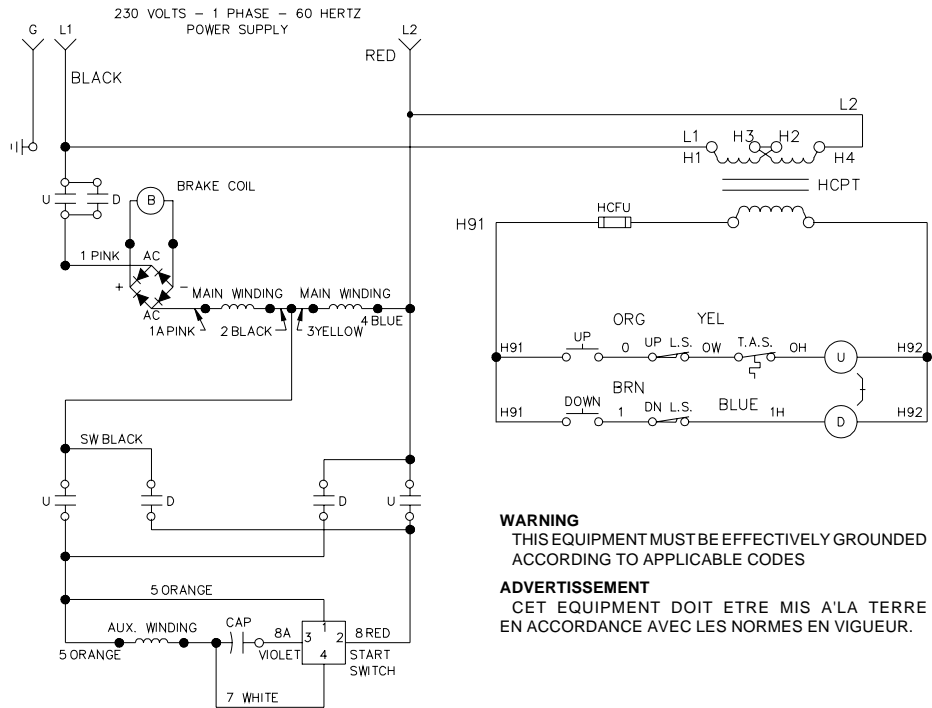
WARNING
THIS EQUIPMENT MUST BE EFFECTIVELY GROUNDED ACCORDING TO APPLICABLE CODES.

ADVERTISSEMENT
CET EQUIPEMENT DOIT ETRE MIS A LA TERRE EN ACCORDANCE AVEC LES NORMES EN VIGUEUR.

115V CONNECTIONS, 1 PHASE

333171-03

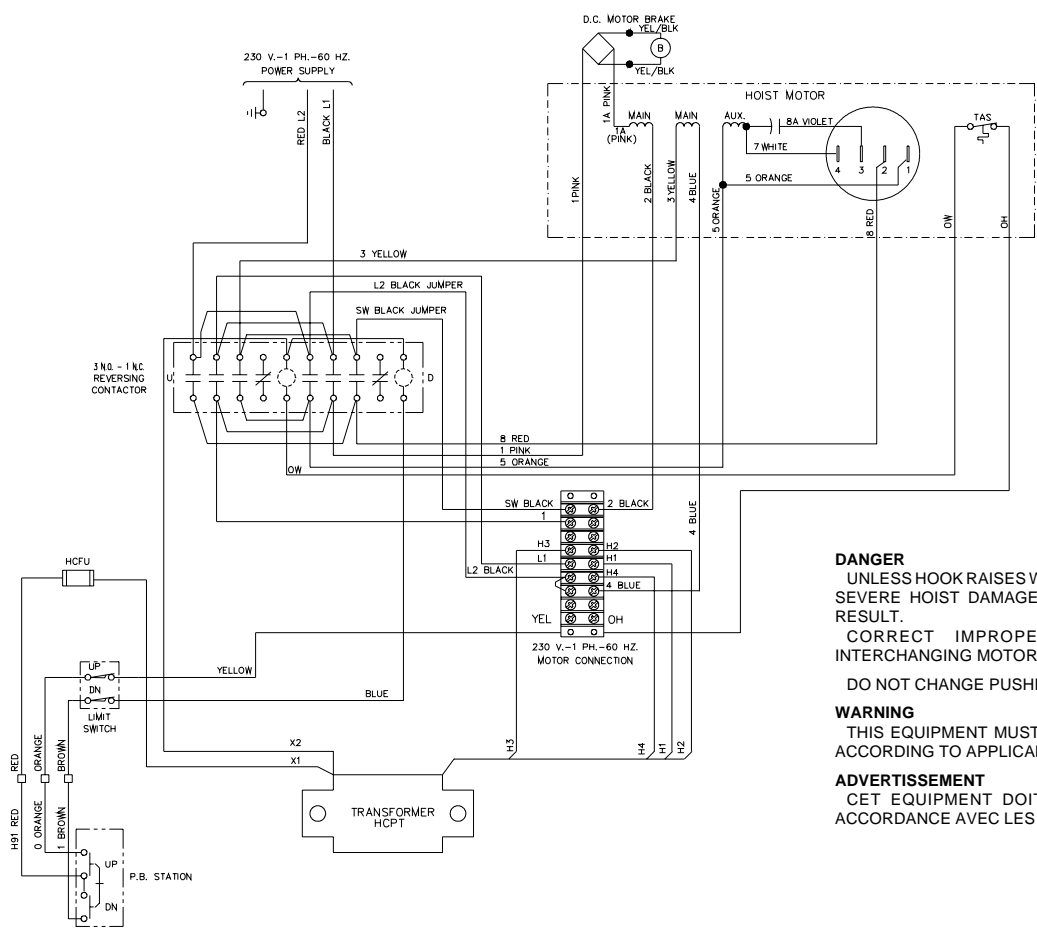
115/230 VOLT RECONNECTABLE, 1 PHASE, SINGLE SPEED HOIST WITH TRANSFORMER



WARNING
THIS EQUIPMENT MUST BE EFFECTIVELY GROUNDED ACCORDING TO APPLICABLE CODES

ADVERTISSEMENT
CET EQUIPMENT DOIT ETRE MIS A'LA TERRE EN ACCORDANCE AVEC LES NORMES EN VIGUEUR.

333171-04



DANGER
UNLESS HOOK RAISES WHEN "UP" BUTTON IS PRESSED SEVERE HOIST DAMAGE AND A DROPPED LOAD MAY RESULT.
CORRECT IMPROPER HOOK DIRECTION BY INTERCHANGING MOTOR LEADS ORANGE (5) & RED (8).
DO NOT CHANGE PUSHBUTTON WIRING.

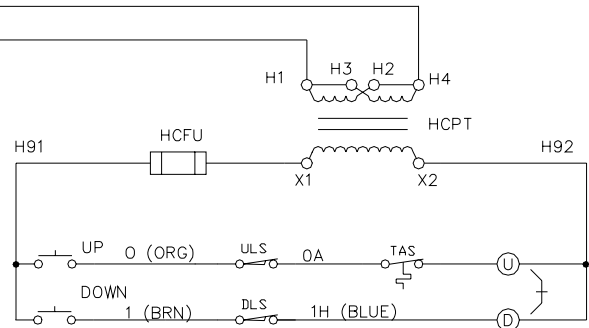
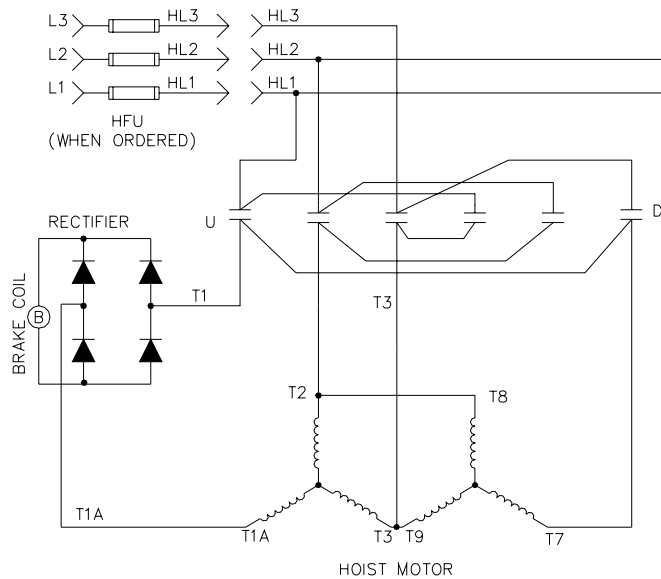
WARNING
THIS EQUIPMENT MUST BE EFFECTIVELY GROUNDED ACCORDING TO APPLICABLE CODES.

ADVERTISSEMENT
CET EQUIPMENT DOIT ETRE MIS A'LA TERRE EN ACCORDANCE AVEC LES NORMES EN VIGUEUR.

230V CONNECTIONS, 1 PHASE

333171-03

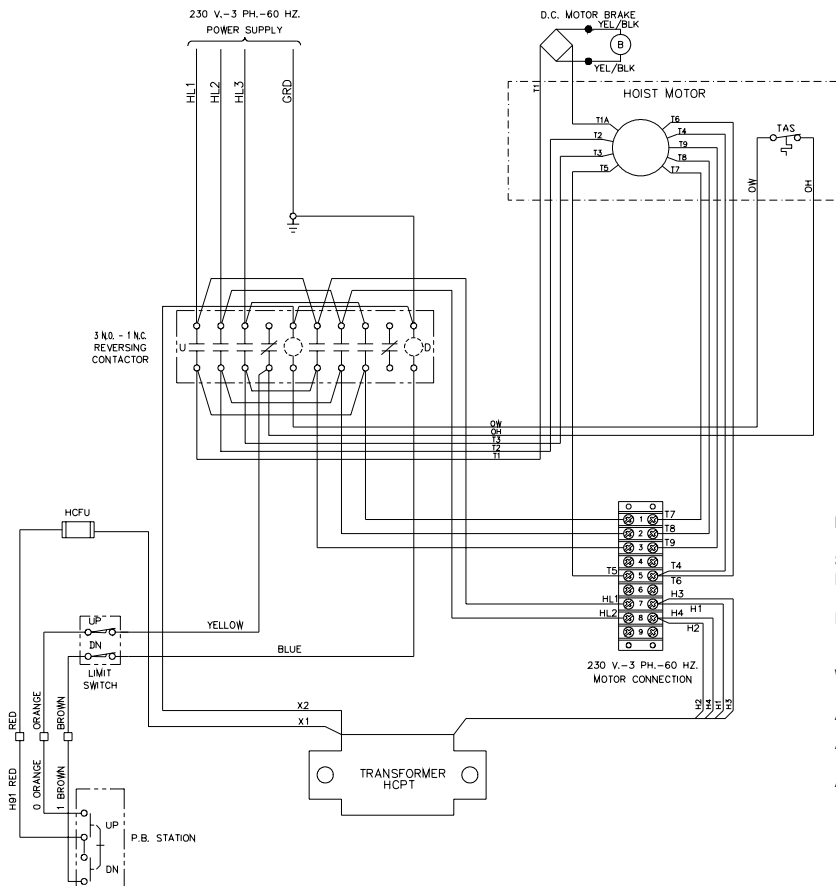
230/460 VOLT RECONNECTABLE, 3 PHASE, SINGLE SPEED HOIST



WARNING
THIS EQUIPMENT MUST BE EFFECTIVELY GROUNDED
ACCORDING TO APPLICABLE CODES

ADVERTISSEMENT
CET EQUIPEMENT DOIT ETRE MIS A'LA TERRE
EN ACCORDANCE AVEC LES NORMES EN VIGUEUR.

228260-01 REV. 1



DANGER
UNLESS HOOK RAISES WHEN "UP" BUTTON IS PRESSED
SEVERE HOIST DAMAGE AND A DROPPED LOAD MAY
RESULT.

CORRECT IMPROPER HOOK DIRECTION BY
INTERCHANGING MOTOR LEADS ORANGE (5) & RED (8).

DO NOT CHANGE PUSHBUTTON WIRING.

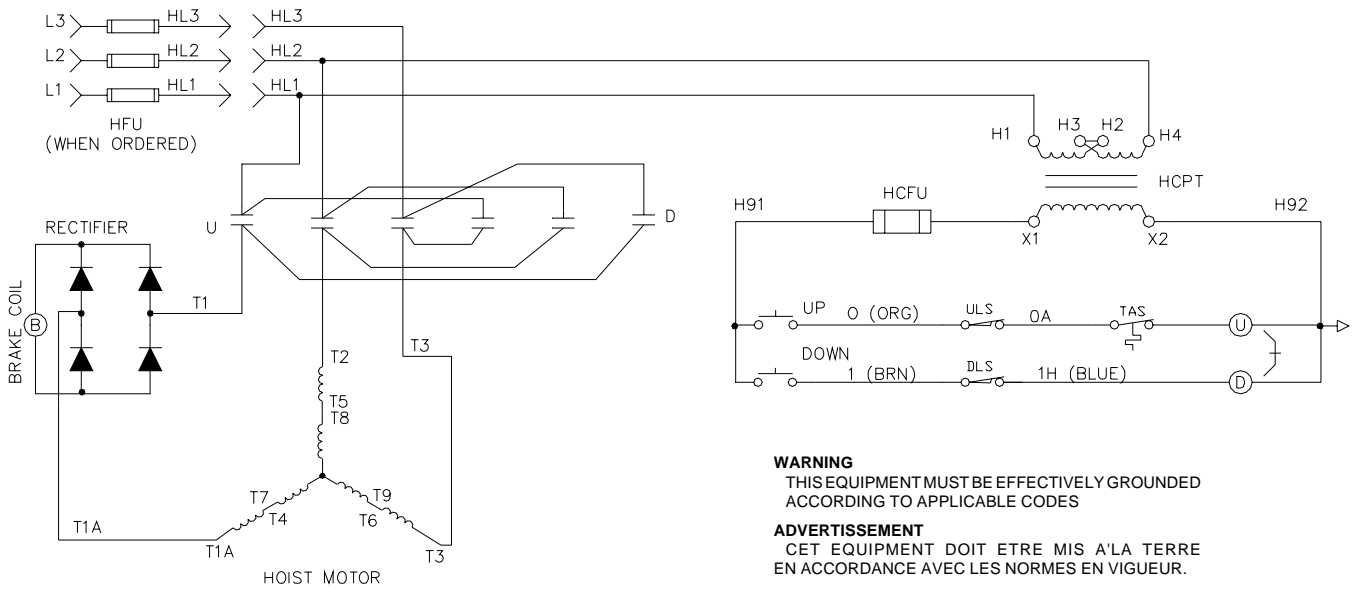
WARNING
THIS EQUIPMENT MUST BE EFFECTIVELY GROUNDED
ACCORDING TO APPLICABLE CODES.

ADVERTISSEMENT
CET EQUIPEMENT DOIT ETRE MIS A'LA TERRE EN
ACCORDANCE AVEC LES NORMES EN VIGUEUR.

230V CONNECTIONS, 3 PHASE

333173-01

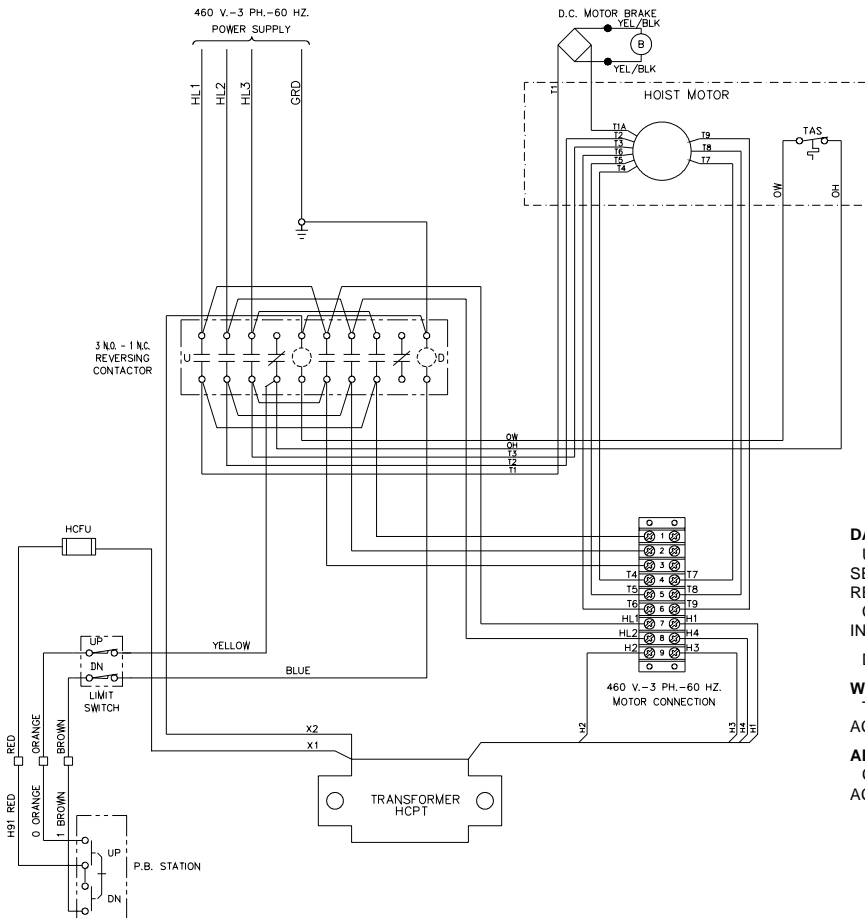
230/460 VOLT RECONNECTABLE, 3 PHASE, SINGLE SPEED HOIST



WARNING
THIS EQUIPMENT MUST BE EFFECTIVELY GROUNDING
ACCORDING TO APPLICABLE CODES

ADVERTISSEMENT
CET EQUIPEMENT DOIT ETRE MIS A'LA TERRE
EN ACCORDANCE AVEC LES NORMES EN VIGUEUR.

228261-01



DANGER
UNLESS HOOK RAISES WHEN "UP" BUTTON IS PRESSED
SEVERE HOIST DAMAGE AND A DROPPED LOAD MAY
RESULT.

CORRECT IMPROPER HOOK DIRECTION BY
INTERCHANGING MOTOR LEADS ORANGE (5) & RED (8).

DO NOT CHANGE PUSHBUTTON WIRING.

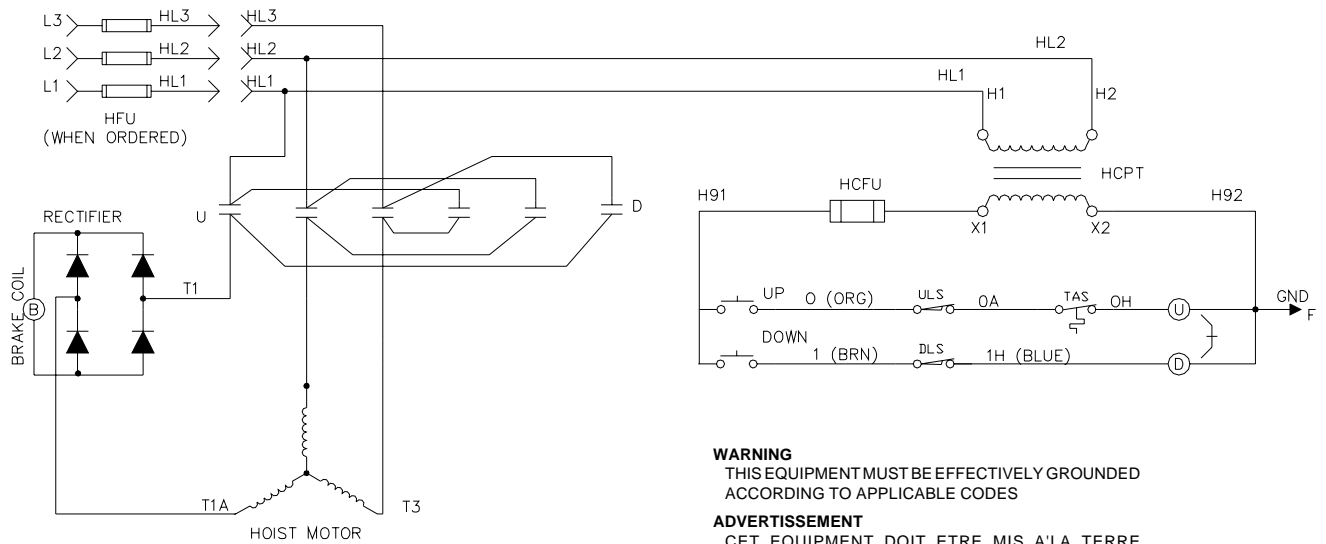
WARNING
THIS EQUIPMENT MUST BE EFFECTIVELY GROUNDING
ACCORDING TO APPLICABLE CODES.

ADVERTISSEMENT
CET EQUIPEMENT DOIT ETRE MIS A'LA TERRE EN
ACCORDANCE AVEC LES NORMES EN VIGUEUR.

460V CONNECTIONS

333173-02

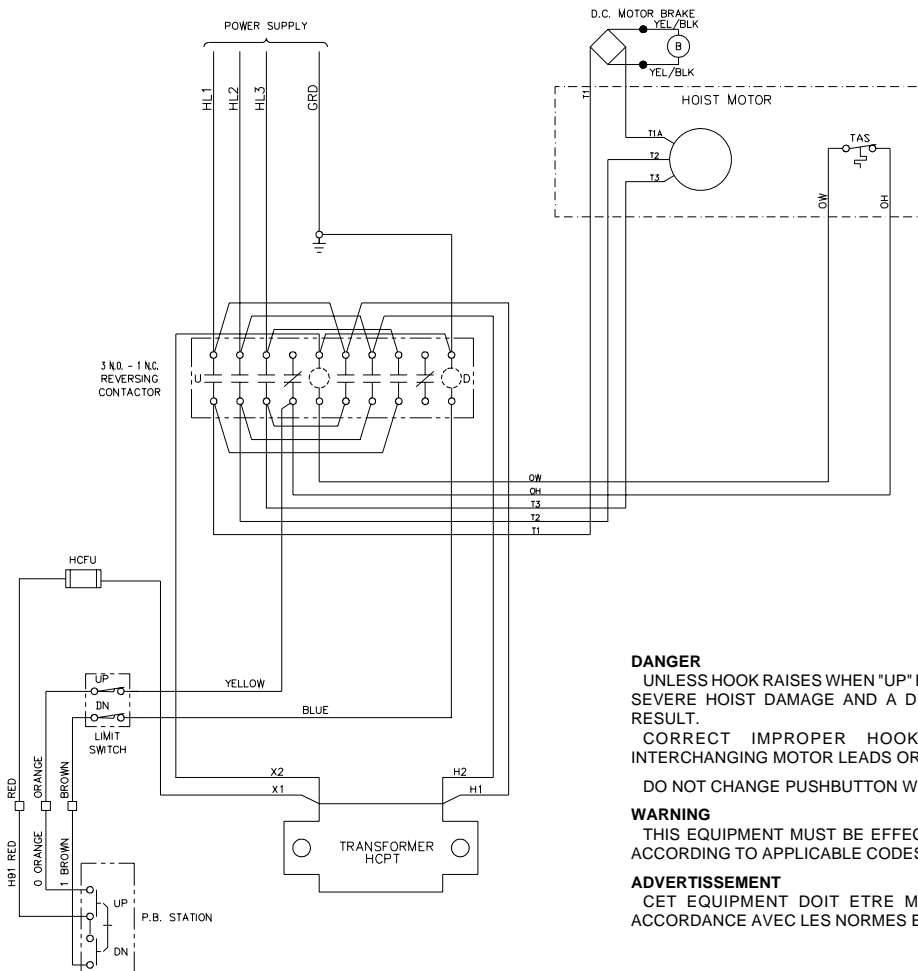
SINGLE VOLTAGE, 3 PHASE, SINGLE SPEED HOIST



WARNING
THIS EQUIPMENT MUST BE EFFECTIVELY GROUNDED
ACCORDING TO APPLICABLE CODES

ADVERTISSEMENT
CET EQUIPEMENT DOIT ETRE MIS A'LA TERRE
EN ACCORDANCE AVEC LES NORMES EN VIGUEUR.

228204-01



DANGER
UNLESS HOOK RAISES WHEN "UP" BUTTON IS PRESSED
SEVERE HOIST DAMAGE AND A DROPPED LOAD MAY
RESULT.

CORRECT IMPROPER HOOK DIRECTION BY
INTERCHANGING MOTOR LEADS ORANGE (5) & RED (8).

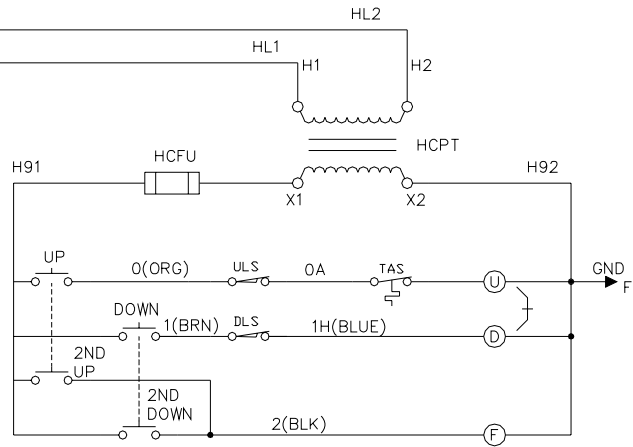
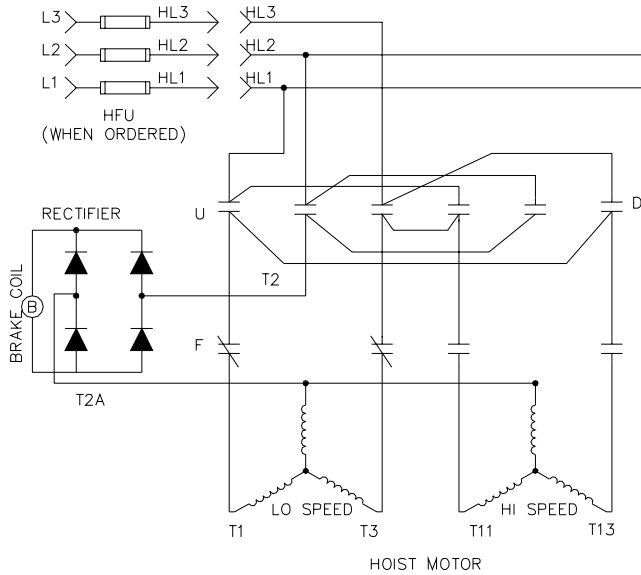
DO NOT CHANGE PUSHBUTTON WIRING.

WARNING
THIS EQUIPMENT MUST BE EFFECTIVELY GROUNDED
ACCORDING TO APPLICABLE CODES.

ADVERTISSEMENT
CET EQUIPEMENT DOIT ETRE MIS A'LA TERRE EN
ACCORDANCE AVEC LES NORMES EN VIGUEUR.

333173-03

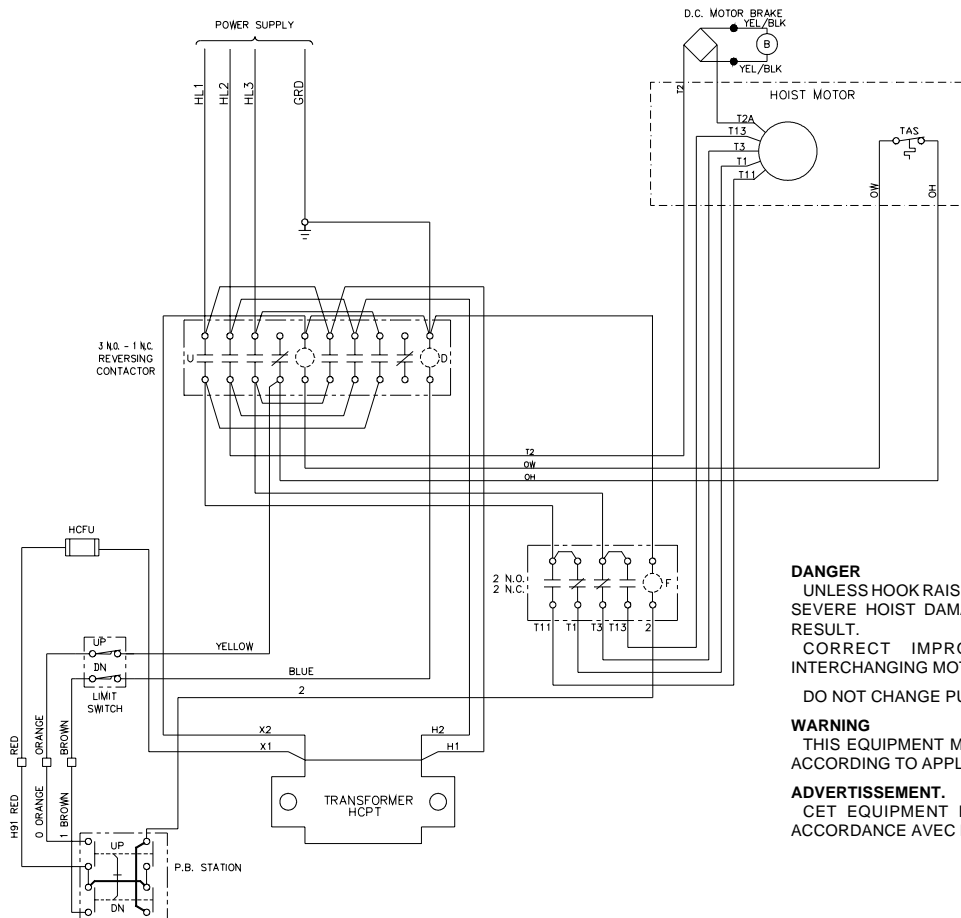
SINGLE VOLTAGE, 3 PHASE, TWO SPEED HOIST



WARNING
THIS EQUIPMENT MUST BE EFFECTIVELY GROUNDED
ACCORDING TO APPLICABLE CODES

ADVERTISSEMENT
CET EQUIPEMENT DOIT ETRE MIS A'LA TERRE
EN ACCORDANCE AVEC LES NORMES EN VIGUEUR.

228196-01 REV. 1



DANGER
UNLESS HOOK RAISES WHEN "UP" BUTTON IS PRESSED
SEVERE HOIST DAMAGE AND A DROPPED LOAD MAY
RESULT.
CORRECT IMPROPER HOOK DIRECTION BY
INTERCHANGING MOTOR LEADS ORANGE (5) & RED (8).
DO NOT CHANGE PUSHBUTTON WIRING.

WARNING
THIS EQUIPMENT MUST BE EFFECTIVELY GROUNDED
ACCORDING TO APPLICABLE CODES

ADVERTISSEMENT.
CET EQUIPEMENT DOIT ETRE MIS A'LA TERRE EN
ACCORDANCE AVEC LES NORMES EN VIGUEUR.

333173-04