

CM MAX BALANCER

MECHANICAL COMPONENTS

PARTS LIST

Key No.	No. Reqd.	Part Name	Part Number		
			CM Max 120 (0950)	CM Max 200 (0951)	CM Max 300 (0952)
609-400	1	Cylinder Bottom	09402	09416	09420**
609-401	6	Cylinder Tie Bolt 4 for Max 120/6 all others	09804		
609-402	1	Cylinder O-Ring	09801	09809	09821**
609-403	1	Lockout-tagout Bolt Seal	09802**		
609-404	1	Lockout-tagout Bolt	09429**		
609-405	1	Piston Stop	09406	09444**	
	1 *	Bolt & O-Ring Assembly Key # 609-406 & 609-407	9408809**		
609-406	1	Piston Bolt	09407		
609-407	1	Piston Bolt O' ring	09803		
609-408	1	Piston	09403	09419	09421**
609-409	1	Piston U - Cup	09822	09823	09824**
609-411	1	Ball Screw #	09807		
609-412	1	Cylinder Tube	09404P	09417P	09422P
609-413	1	Cylinder Head Plate	09405	09418	09423**
	1 *	Pocket Wheel Assembly Key # 609-414 - 609-417	9530603		
609-414	1	Pocket Wheel Bearing - Cylinder End	09808		
609-415	1	Pocket Wheel	09408		
609-416	1	Ball Nut w / balls# w / 0 screw	09705		
609-417	1	Ball Nut Set Screw	09810		
	2 *	Brake Sub-Assembly Key # 609-418 - 609-423	9408807**		
609-418	1	Lost Load Protector	09503		
609-419	1	Lost Load Protector Clevis Pin	09410**		
609-420	2	Lost Load Protector Bushings	09811		
609-421	1	Lost Load Protector Cotter Pin	09840**		
609-422	1	Lost Load Protector Spring	09812		
609-423	3	Lost Load Protector Spring Pin (2unit/ 1 assembly) are part of the Max Assembly	09813**		

Key No.	No. Reqd.	Part Name	Part Number		
			CM Max 120 (0950)	CM Max 200 (0951)	CM Max 300 (0952)
609-424	1	Pocket Wheel Bearing - Control End	09814**		
609-425	1	Center Section	09411		
609-426	5	Cylinder Attaching Screw	09815**		
609-427	1 *	Anti-Rotation Bar Assembly w/rubber pads Contains Key # 609-428	09412		
609-428	2	Anti-Rotation Bearing	09816		
	2	Anti-Rotation Pad	9426308		
	1	Anti-Rotation Bar	9330520		
609-429	1	Control Cover Anti - Rotation Tube	09413P		
609-430	1	Control Cover End Plate	09414		
	1	Single Balance End Plate	09445		
	1	Dual Balance End Plate	9420911		
	1	Tri Balance End Plate	9531202		
609-431	4	Anti-Rotation Guide Screw	09817		
609-432	1	Chain Guide - Load Side	09415**		
609-433	2	Chain Guide Attaching Screw	09818**		
609-434	2	Chain Container Attaching Screw	09819**		
609-435	1 *	Chain Container Assembly	09820**		
609-436	168"	Load Chain (Specify Additional Length if Req'd.)	85990**		
609-446	1A *	Lower Hook Block Assembly Contains 8 parts Key # 609-437 - 609-444	09500**		
	1B *	Latchlok Hook Assembly Contains 9 parts Key # 609-438 - 609-445	1086		
609-437	1A	Hook with Latch	09346		
609-438	1	Hook Block - Drilled	06341		
609-439	1	Hook Block - Tapped	06340		
609-440	1	Hook Nut	986429		
609-441	1	Hook Nut Pin	983793		
609-442	1	Hook Thrust Bearing	87081		
609-443	2	Hook Thrust Washer	87080		
609-444	1	Hook Block Screw	06727		
609-445	1B	Latchlok Hook #	09501		
609-447	1	Latch Kit	132 - P001771		

Not Sold Separately.

* Subassemblies are recommended spare parts

** Parts that are common with the Max 500 are noted with a double asterisk.

CM MAX BALANCER

MECHANICAL COMPONENTS

PARTS LIST

Key No.	No. Reqd.	Part Name	Part Number		
			CM Max 120 (0950)	CM Max 200 (0951)	CM Max 300 (0952)
609-448	2	Suspension Screw	09825**		
609-449	2	Suspension Screw Lock Washer	09859**		
609-450	1	Anti - Rotation Bar Attaching Screw	09805**		
	1	Attaching Washer	104 - P000260**		
609-451	1	Warning Label (Not Shown)	09844**		
609-452	1	Capacity Label (Not Shown)	09843	09845	09846
609-453	2	CM Max Label (Not Shown)	09847**		
609-454	1	Identification Label (Not Shown) Serial Tag	09842**		
609-455	1 *	Chain Guide Assembly Loose Side	09430**		
	1	CM Max loose side Chain Guide	9401201		
	1	Roll Pin	P002084		
609-456	2	Shim	09850**		
	1 *	Double Reeving Assembly	0968		
	1	Load Chain Assembly Contains Key #609-436 & #609-446	200113702		

CM MAX BALANCER

MAX 500 COMPONENTS (0943)

PARTS LIST

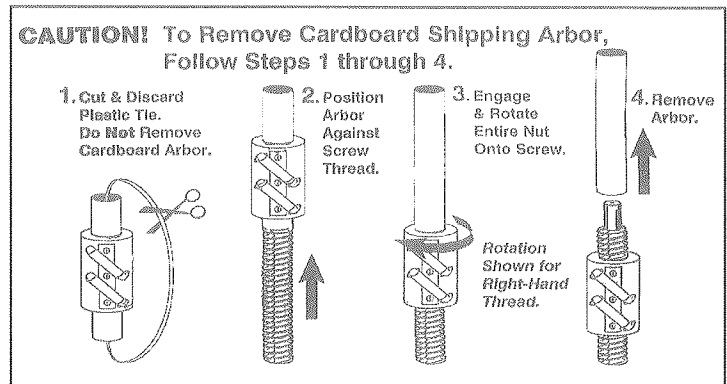
Key No.	No. Reqd.	Part Name	Part Number
			CM Max 500 (0943)
609-478	1	Air Relay for Max 500	P008353
609-412	1	Cylinder Tube	9524007P
609-401	6	M10 1.5 X 325 mm Hex Head Cap Screw	P007192
	1 *	Pocket wheel Assembly *(sold only with ball nut)	200113701
609-415		Pocket Wheel	9524004
609-411		Ball Screw #	9524006
609-414		Ball Bearing	09808
609-417		M08 1.25 X 12 mm Cup Point	09810
609-425	1	Center section	9709212
609-416	1	Ball Nut (sold only with pocket wheel assembly) #	P008307
609-427	1 *	Anti-Rotation Bar Assembly	9524010
609-429	1	Anti-Rotation Tube	9524008P
609-430	1	End Plate	9524009
609-431	1	M16 2.0 X 285 mm Socket Head Cap Bolts	P007170
609-452	1	500# Capacity Tag	P007172
	1 *	Metering Control Assembly For Max 500	9528515
609-486	1	Tube Air Line Max 500	9611402

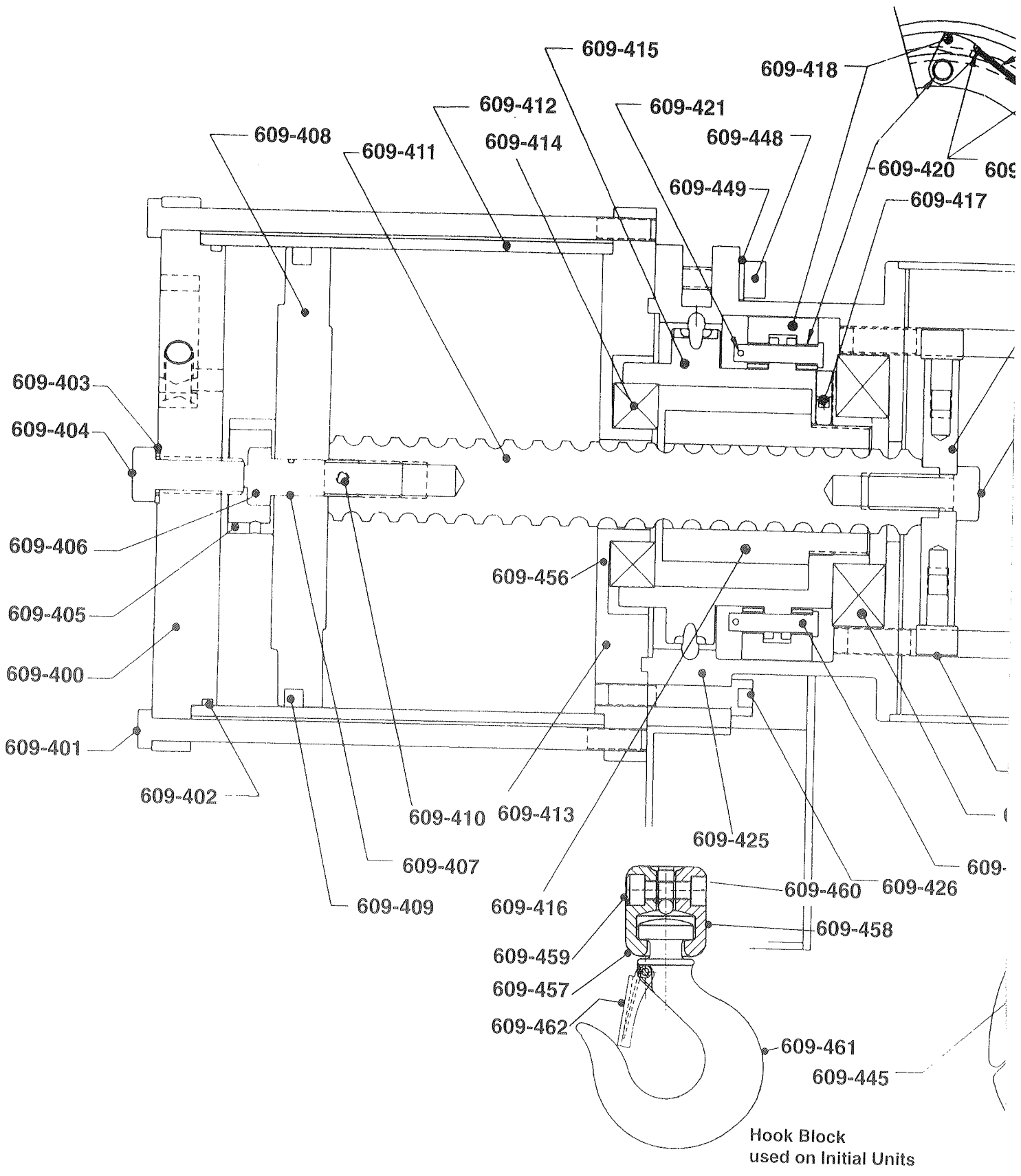
Not Sold Separately.

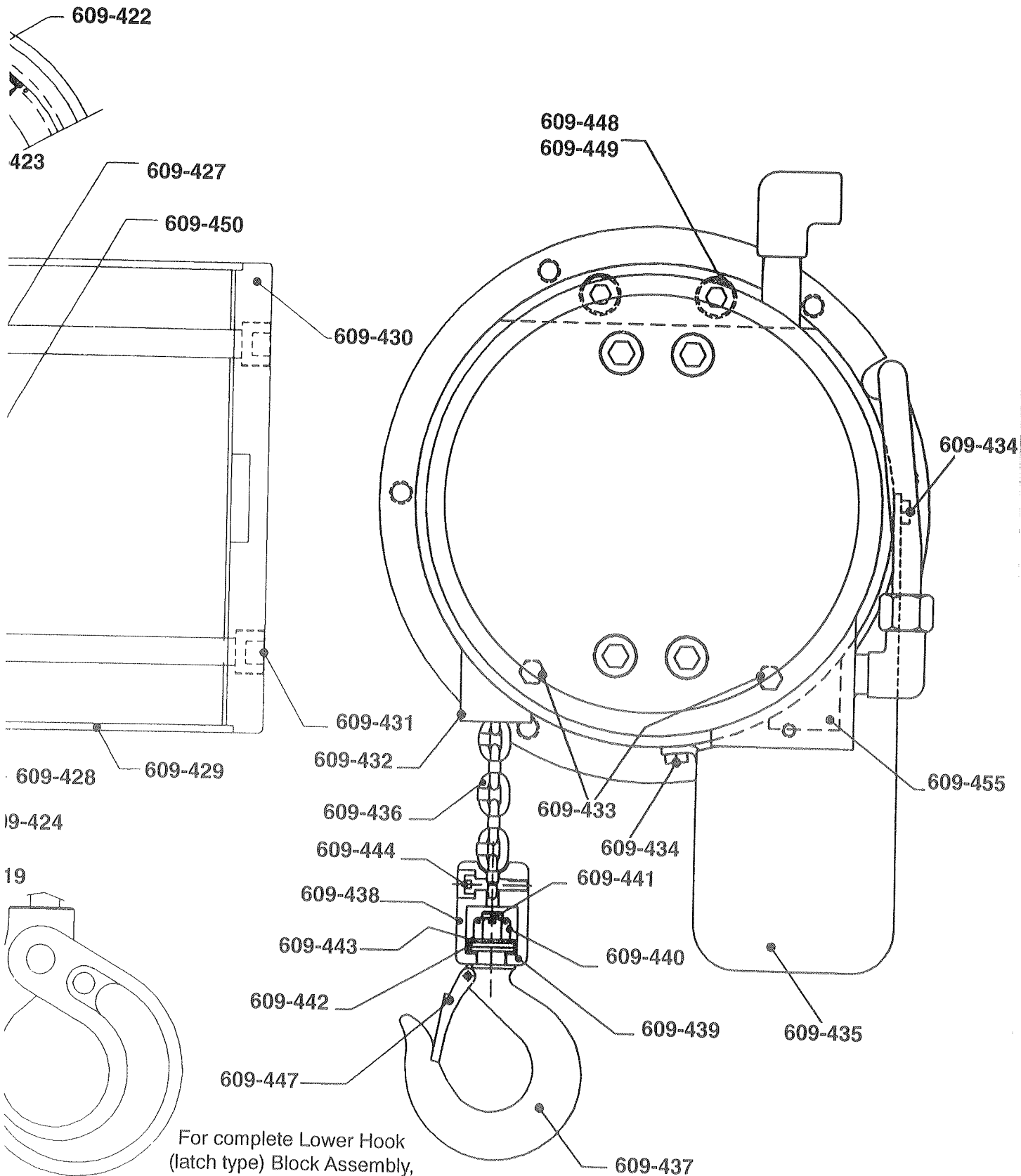
* Subassemblies are recommended spare parts

** Parts that are common with the Max 500 are noted with a double asterisk.

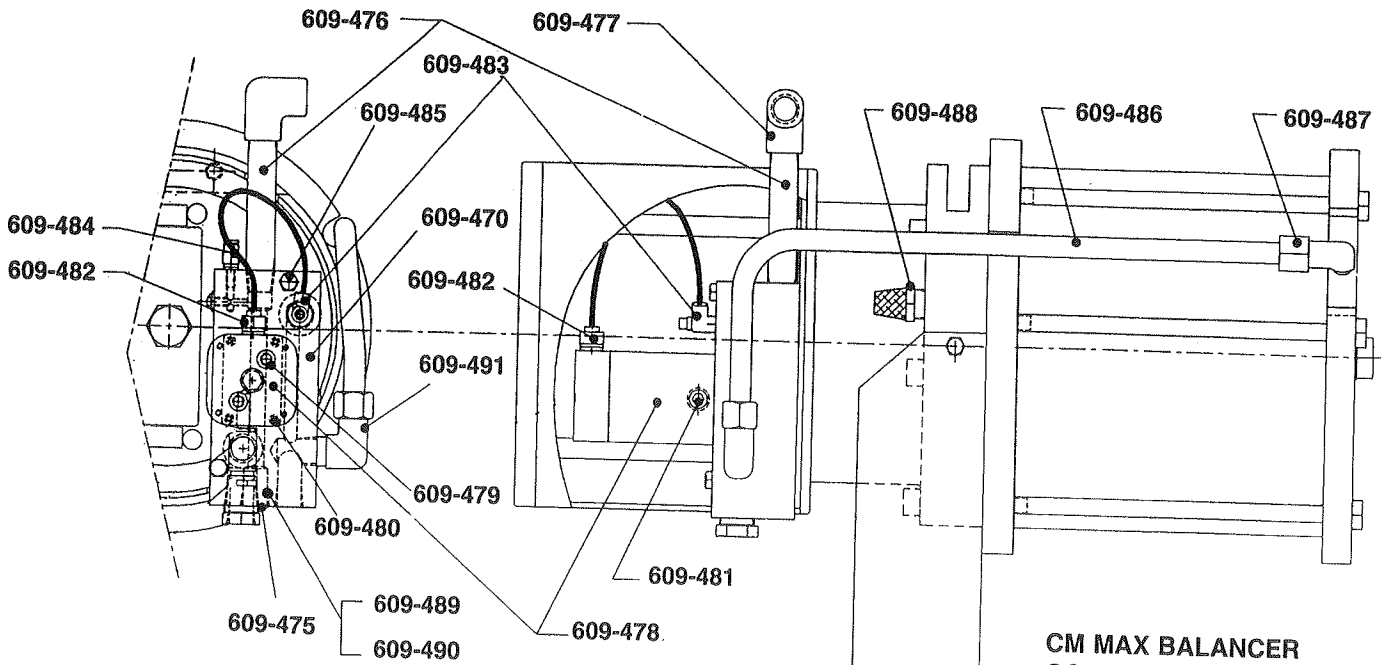
Caution is for Ball nut service & replacement:
Part #'s 09705 & 9524006



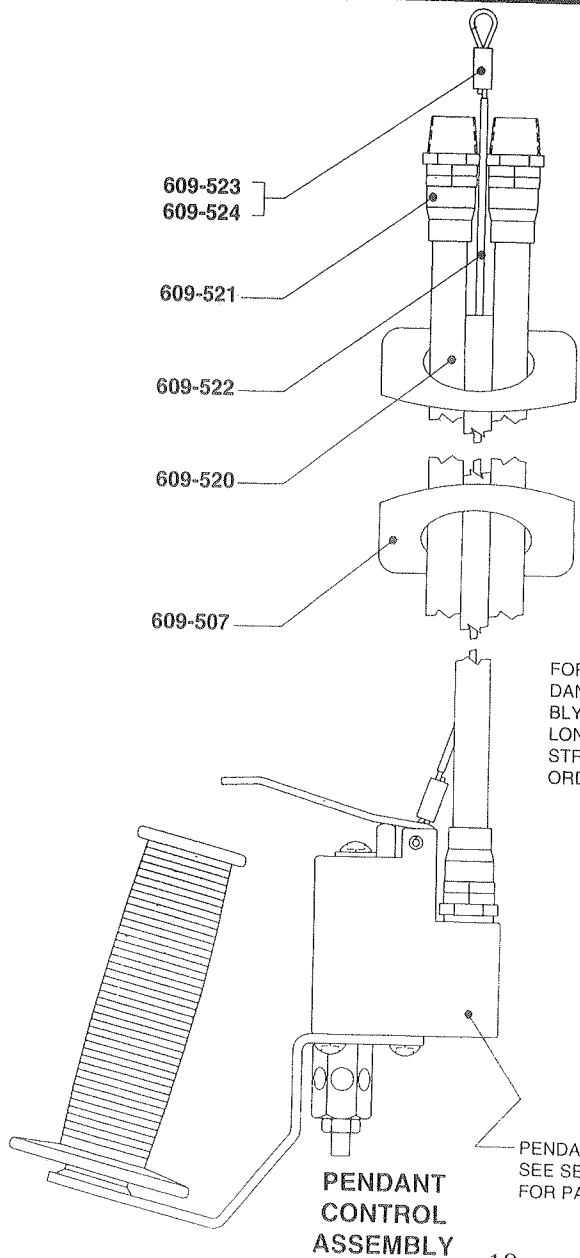




**CM MAX BALANCER
MECHANICAL COMPONENTS**

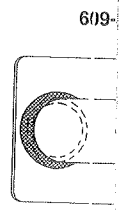


**CM MAX BALANCER
CONTROL PARTS - UNITS
WITH PENDANT CONTROL**

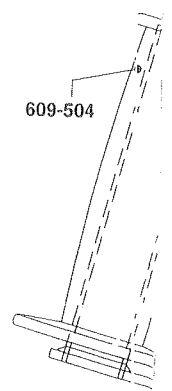


FOR COMPLETE PENDANT CONTROL ASSEMBLY INCLUDING 8 FOOT LONG HOSES AND STRAIN RELIEF CABLE ORDER KEY NO. 609-500,

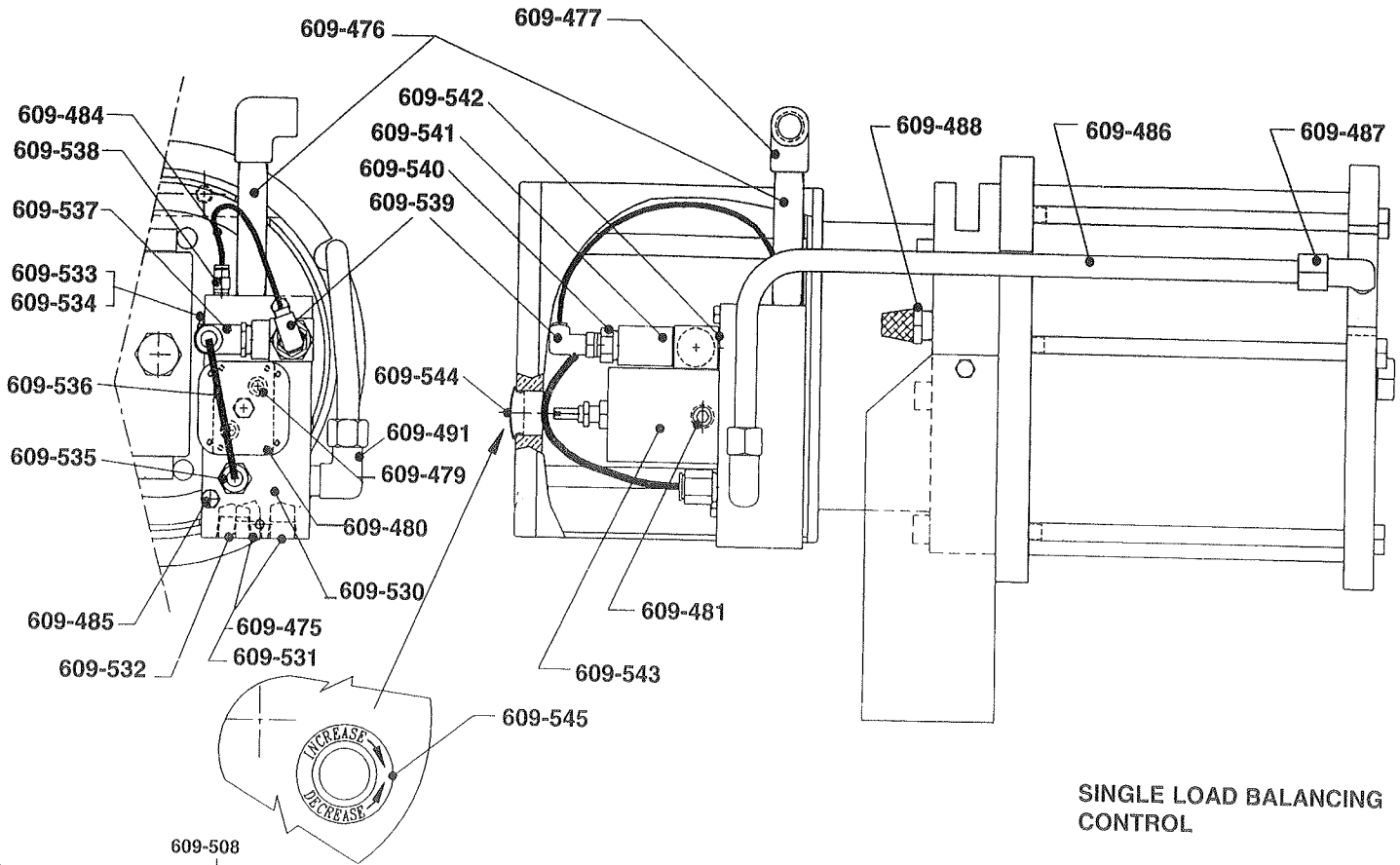
PENDANT CONTROL ASSEMBLY



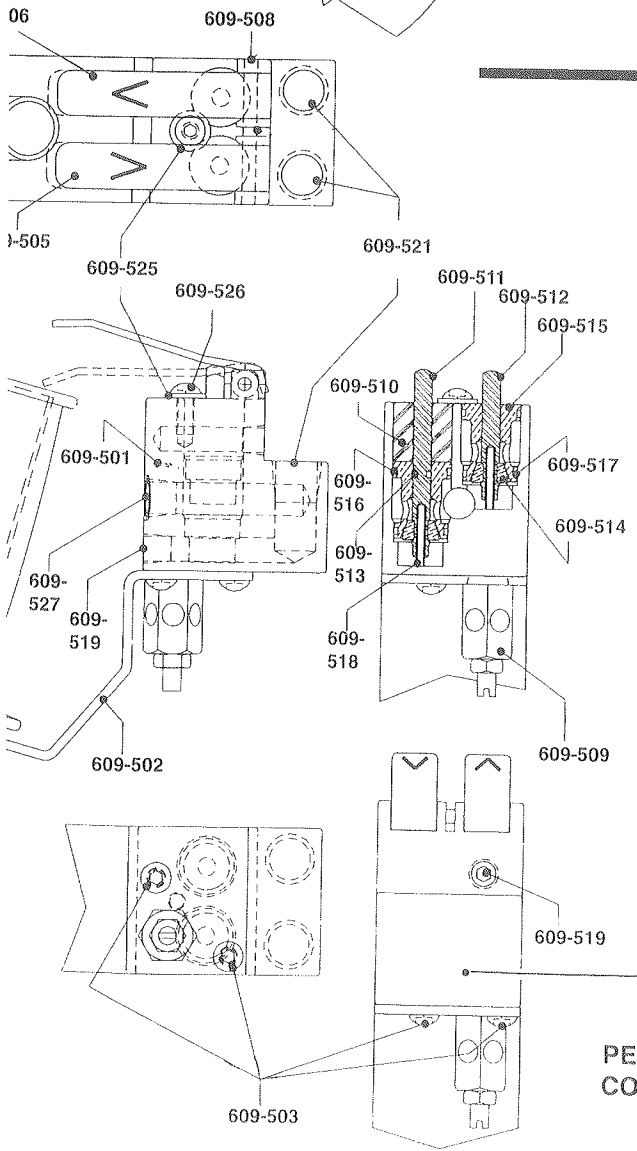
609-
60



609-504



SINGLE LOAD BALANCING CONTROL



CM MAX BALANCER CONTROL COMPONENTS

PENDANT CONTROL

CM MAX BALANCER

CONTROL COMPONENTS

PARTS LIST

Key No.	No. Reqd.	Part Name	Part Number		
			CM Max 120 (0950)	CM Max 200 (0951)	CM Max 300 (0952)
	1 *	Manifold Assembly for Balance	9416103		
	1 *	Manifold Assembly for Dual Balance	9421700		
	1 *	Manifold Assembly for Tri Balance	9531304		
	1 *	Metering Control Assembly Contains Key # 609-474 - 609-491	9408901		
609-474	1	Manifold	09424		
609-475	1	Auxiliary Port/	989050		
	1	Shipping Plug			
609-476	1	Inlet Pipe	09839		
609-477	1	Inlet Elbow	09833		
609-478	1	Control Air Relay	09827		
609-479	2	Relay Seal	09829		
609-480	4	Relay Attaching Screw	09828		
609-481		Relay Plug-included	989053		
609-482	1	Relay Fitting	09830		
609-483	1	Flow Control Valve	09832		
609-484	1	Pilot Line (Specify Length) 7" Balance/ 25" Pendant	09831		
609-485	2	Manifold Attaching Screw	09826		
609-488	1	Muffler	09837		
609-489	1	Strain Cable Attaching Screw	09848		
609-490	1	Strain Cable Attaching Screw Washer	09849		
609-491	1	Air Line Fitting - Manifold	09834		
609-486	1	Air Line	9601600	9601601	9530604
609-487	1	Air Line Fitting	09835	09835	09834**
609-500	1 *	Pendant Control Assembly Complete With 9 ft. Long Hoses 6 Items Key # 609-507, 609-520 - 609-523, & Assembly P006959	00956** ?		
609-507	1	Warning Tag	09841		
609-520	- 108"	Air Line - Specify Length Req'd. - Also Order Key # 609-522	09857		
609-521	4	Air Line Fitting	09858		
609-522	- 126"	Strain Relief Cable - Specify Length Req'd.	09879		

Not Sold Separately

* Subassemblies are recommended spare parts

** Parts that are common with the Max 500 are noted with a double asterisk.

Key No.	No. Reqd.	Part Name	Part Number		
			CM Max 120 (0950)	CM Max 200 (0951)	CM Max 300 (0952)
609-523	3	Strain Relief Sleeve	P008036		
609-499		Hand Control Key #609-501 - 609-512 (609-513-519 in 609-511 & 609-512)	09460		
609-501		Valve Block	09428		
609-502	1	Control Handle	09502		
609-503	2	Valve Block Attaching Screw	09848		
609-526	1				
609-525	1	#12 zinc plated washer	09849		
609-504	1	Grip	09747		
609-505	1	Up Lever	09431		
609-506	1	Down Lever	09434		
609-508	1	Lever Pivot Pin	09436		
609-509	1	Speed Control Muffler	09855		
609-510	1	Cartridge Spacer	09437		
609-519	2	Valve Block Plug, 1/8"	989076		
609-527	1	Valve Block Plug, 1/4"	989053		
609-511	1 *	Up Stem Kit Key # 609-513-519	09438		
609-512	1 *	Down Stem Kit Key #609-514-519	09439		
609-513	1	Stem Seal	09851		
609-514	2	Rubber Seal	09440		
609-515	2	Cartridge Body	09441		
609-516	2	Cartridge Seal - Large	09852		
609-517	2	Cartridge Seal - Small	09853		
609-518	2	Stem Spring	09854		
609-530	1	Manifold Block (SLB)	09448		
609-531	2	Control Port Plug, 3/8"	989050		
609-532	1	Label, Balancing	09877		
609-533	1	Hole Seal	09836		
609-534	1	Hole Seal Screw	09856		
609-535	1	High Flow Fitting - Straight	09867		
609-536	-	High Flow Tube - Specify Length Req'd.	09868		
609-537	1	High Flow Fitting - 90°	09869		
609-538	1	Pilot Line Fitting - Straight	09870		
609-539	1	Pilot Line Fitting - 90°	09871		
609-540	1	Reducer	09872		
609-541	1	Check Valve, Pilot Operated	09873		
609-542	1	Check Valve Seal	09874		
609-543	1	Balancing Regulator	09875		
609-544	1	Control End Plate Plug	09876		

CM MAX BALANCER

MECHANICAL COMPONENTS

PARTS LIST

Key No.	No. Reqd.	Part Name	Part Number		
			CM Max 120 (0950)	CM Max 200	CM Max 300
609-400	1	Cylinder Bottom	09402	09416	09420**
609-401	6	Cylinder Tie Bolt 4 for Max 120/6 all others		09804	
609-402	1	Cylinder O-Ring	09801	09809	09821**
609-403	1	Lockout-tagout Bolt Seal		09802**	
609-404	1	Lockout-tagout Bolt		09429**	
609-405	1	Piston Stop		09406	09444**
	1*	Piston Assembly Key # 609-406 & 609-407		9408809**	
609-406	1	Piston Bolt		09407	
609-407	1	Piston Bolt O' ring		09803	
609-408	1	Piston	09403	09419	09421**
609-409	1	Piston U - Cup	09822	09823	09824**
609-411	1	Ball Screw		09807	
609-412	1	Cylinder	09404	09417	09422
609-413	1	Cylinder Head Plate	09405	09418	09423**
	1*	Pocket Wheel Ass'y Key # 609-414 - 609-417		9530603	
609-414	1	Pocket Wheel Bearing - Cylinder End		09808	
609-415	1	Pocket Wheel		09408	
609-416	1	Ball Nut w / balls w / 0 screw		09705	
609-417	1	Ball Nut Set Screw		09810	
	2*	Brake Sub-Assembly Key # 609-418 - 609-423		9408807**	
609-418	1	Lost Load Protector		09503	
609-419	1	Lost Load Protector Clevis Pin		09410**	
609-420	2	Lost Load Protector Bushings		09811	
609-421	1	Lost Load Protector Cotter Pin		09840**	
609-422	1	Lost Load Protector Spring		09812	
609-423	2	Lost Load Protector Spring Pin 2 more are part of the Max Ass'y		09813**	

Key No.	No. Reqd.	Part Name	Part Number		
			CM Max 120 (0950)	CM Max 200 (0951)	CM Max 300 (0952)
609-424	1	Pocket Wheel Bearing - Control End		09814**	
609-425	1	Center Section		09411	
609-426	5	Cylinder Attaching Screw		09815**	
609-427	1*	Anti-Rotation Bar. Ass'y w/ rubber pads Contains Key # 609-428		09412	
609-428	2	Anti-Rotation Roller		09816	
	2	Anti-Rotation Pad		9426308	
	2	Anti-Rotation Bar		9330520	
609-429	1	Control Cover Anti - Rotation Tube		09413	
609-430	1	Control Cover End Plate		09414	
	1	Single Balance End Plate		09445	
	1	Dual Balance End Plate		9420911	
	1	Tri Balance End Plate		9531202	
609-431	4	Anti-Rotation Guide Screw		09817	
609-432	1	Chain Guide - Load Side		09415**	
609-433	2	Chain Guide Attaching Screw		09818**	
609-434	2	Chain Container Attaching Screw		09819**	
609-435	1*	Chain Container Assembly		09820**	
609-436	1	Load Chain (Specify Length Reqd.)		85988**	
609-446	1*	Lower Hook Block Ass'y Contains 8 parts Key # 609-437 - 609-444		09500**	
	1*	Latchlok Hook Ass'y Contains 9 parts Key # 609-437 - 609-445		1086	
609-437	1	Hook with Latch		09346	
609-438	1	Hook Block - Drilled		06341	
609-439	1	Hook Block - Tapped		06340	
609-440	1	Hook Nut		986429	
609-441	1	Hook Nut Pin		983793	
609-442	1	Hook Thrust Bearing		87081	
609-443	2	Hook Thrust Washer		87080	
609-444	1	Hook Block Screw		06727	
609-445	1	Latchlok Hook		09501	
609-447	1	Latch Kit		132 - P001771	

* Look in "BMSI" on computer for list of components in sub assemblies. Subassemblies are recommended spare parts

** Parts that are common with the Max 500 are noted with a double asterisk.

CM MAX BALANCER
MECHANICAL COMPONENTS
PARTS LIST

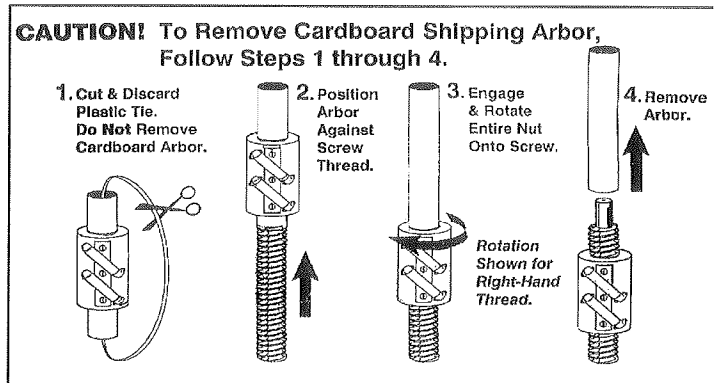
Key No.	No. Reqd.	Part Name	CM	CM	CM
			Max 120 (0950)	Max 200 (0951)	Max 300 (0952)
609-448	2	Suspension Screw	09825**		
609-449	2	Suspension Screw Lock Washer	09859**		
609-450	1	Anti - Rotation Bar Attaching Screw	09805**		
	1	Attaching Washer	104 - P000260**		
609-451	1	Warning Label (Not Shown)	09844**		
609-452	1	Capacity Label (Not Shown)	09843	09845	09846
609-453	2	CM Max Label (Not Shown)		09847**	
609-454	1	Identification Label (Not Shown) Serial Tag	09842**		
609-455	1 *	Chain Guide Ass'y Loose Side	09430**		
	1	CM Max loose side Chain Guide	9401201		
	1	Roll Pin	P002084		
	1 *	Chain Container Assembly	109820		
	1	Eye Bolt	P000290		
	1	Thin Height Nylon Locknut	P000293		
	1	Chain Container	9435702		
609-456	-	Shim - Specify No. Reqd. Usually 2 required	09850**		
	1 *	Double Reaving Ass'y Assembly	0968		

CM MAX BALANCER
MAX 500 COMPONENTS (0943)
PARTS LIST

Key No.	No. Reqd.	Part Name	Part Number	
				CM Max 500 (0943)
	1	Air Relay for Max 500	P008353	
	1	Cylinder Tube	9524007	
	6	M10 1.5 X 325 mm Hex Head Cap Screw	P007192	
	1	Pocket Wheel	9524004	
	1	Ball Screw	9524006	
	1	Ball Nut	P008307	
	1	Ball Bearing	09808	
	1	M08 1.25 X 12 mm Cup Point	09810	
	1	Center Section	9709212	
	1 *	Anti-Rotation Bar Assembly	9524010	
	1	Anti-Rotation Tube	9524008	
	1	End Plate	9524009	
	1	M16 2.0 X 285 mm Socket Head Cap Bolts	P007170	
	1	500# Capacity Tag	P007172	
	1 *	Metering Control Ass'y For Max 500	9528515	
	1	Tube Air Line Max 500	9611402	

* Look in "BMSI" on computer for list of components in sub assemblies. Subassemblies are recommended spare parts
** Parts that are common with the Max 500 are noted with double asterisk.

Caution is for Ball nut service & replacement:
Part #'s 09705 & 9524006



CM MAX BALANCER

CONTROL COMPONENTS

PARTS LIST

Key No.	No. Reqd.	Part Name	Part Number		
			CM Max 120 (0950)	CM Max 200 (0951)	CM Max 300 (0952)
	1 *	Manifold Assembly for Balance	9416103		
	1 *	Manifold Assembly for Dual Balance	9421700		
	1 *	Manifold Assembly for Tri Balance	9531304		
	1 *	Metering Control Ass'y Contains Key # 609-474 - 609-491	9408901		
609-474	1	Manifold	09424		
609-475	1	Auxiliary Port/ Shipping Plug	989050		
609-476	1	Inlet Pipe	09839		
609-477	1	Inlet Elbow	09833		
609-478	1	Control Air Relay	09827		
609-479	2	Relay Seal	09829		
609-480	4	Relay Attaching Screw	09828		
609-481		Relay Plug-included	989053		
609-482	1	Relay Fitting	09830		
609-483	1	Flow Control Valve	09832		
609-484	1	Pilot Line (Specify Length) 7" Balance/ 25" Pendant	09831		
609-485	2	Manifold Attaching Screw	09826		
609-488	1	Muffler	09837		
609-489	1	Strain Cable Attaching Screw	09848		
609-490	1	Strain Cable Attaching Screw Washer	09849		
609-491	1	Air Line Fitting - Manifold	09834		
609-486	1	Air Line	9601600	9601601	9530604
609-487	1	Air Line Fitting	09835	09835	09834**

Key No.	No. Reqd.	Part Name	Part Number		
			CM Max 120 (0950)	CM Max 200 (0951)	CM Max 300 (0952)
609-500	1 *	Pendant Control Assembly Complete With 9 ft. Long Hoses 6 Items Key # 609-507, 609-520 - 609-523, & Assembly P006959	00956**		
609-507	1	Warning Tag	09841		
609-520	- 108"	Air Line - Specify Length Req'd. - Also Order Key # 609-522	09857		
609-521	4	Air Line Fitting	09858		
609-522	- 126"	Strain Relief Cable - Specify Length Req'd.	09879		
609-523	3	Strain Relief Sleeve	P008036		
609-499		Hand Control Key #609-501 - 609-512 (609-513-519 in	1	09460	609-511
609-501		Valve Block	09428		
609-502	1	Control Handle	09502		
609-503	2	Valve Block Attaching Screw	09848		
609-526	1	#12 zinc plated washer	09849		
609-504	1	Grip	09747		
609-505	1	Up Lever	09431		
609-506	1	Down Lever	09434		
609-508	1	Lever Pivot Pin	09436		
609-509	1	Speed Control Muffler	09855		
609-510	1	Cartridge Spacer	09437		
609-511	1 *	Up Stem Kit Key # 609-513-519	09438		
609-512	1 *	Down Stem Kit Key #609-514-519	09439		
609-513	1	Stem Seal	09851		
609-514	2	Rubber Seal	09440		
609-515	2	Cartridge Body	09441		
609-516	2	Cartridge Seal - Large	09852		
609-517	2	Cartridge Seal - Small	09853		
609-518	2	Stem Spring	09854		
609-519	2	Valve Block Plug, 1/8"	989076		
609-527	1	Valve Block Plug, 1/4"	989053		

Not Sold Separately
 * Subassemblies are recommended spare parts
 ** Parts that are common with the Max 500 are noted with double asterisk.